

**Mini, 7/8"-Round-Plug Connector, Double-Ended Cordsets, Automotive Color Code**

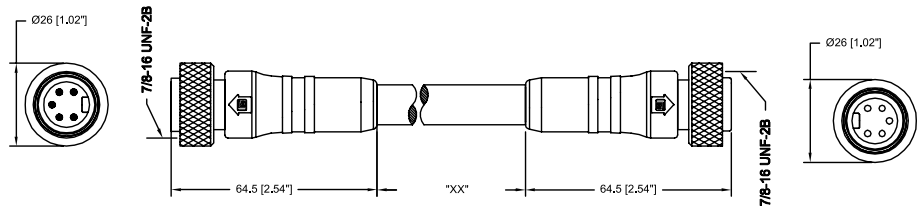
RSRK 301...501 | RSRKW 301...501

**3- and 5-Poles**

Mini, 7/8" double-ended cordsets, male to female straight, 3- and 5-poles with molded cable, Automotive color code.



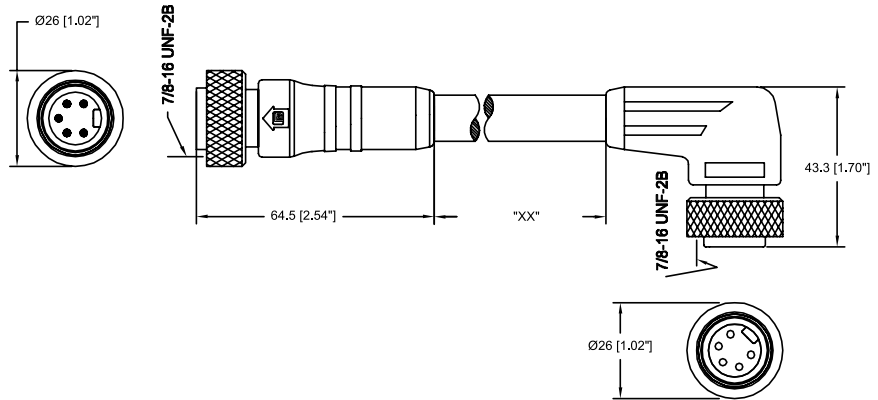
**RSRK**



Mini, 7/8" double-ended cordsets, male straight to female 90°, 3- and 5-poles with molded cable, Automotive color code.



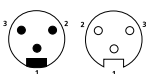
**RSRKW**



**Pin Assignments**

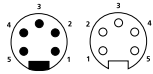
**Mini, 7/8" - Male / Female**

**3 poles**



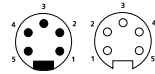
- 1 = green
- 2 = red w/black tr.
- 3 = red w/white tr.

**5 poles (742)**



- 1 = red w/white tr.
- 2 = red
- 3 = green
- 4 = red w/orange tr.
- 5 = red w/black tr.

**5 poles (755)**



- 1 = red w/white tr.
- 2 = red
- 3 = green
- 4 = red w/yellow tr.
- 5 = red w/black tr.



# Be Certain with Belden

## Mini, 7/8"-Round-Plug Connector, Double-Ended Cordsets, Automotive Color Code RSRK 301...501 | RSRKW 30...50

### Technical Data

**Environmental**  
 Degree of protection IP 67 / NEMA 6P  
 Operating temperature range -40°C (-40°F) / +90°C (194°F)

**Mechanical**  
 Housing / Molded body TPU, yellow  
 Insert TPU, yellow  
 Contact CuZn, gold over silver plated  
 Coupling nut Aluminum, anodized black

**Electrical**  
 Current rating 688/741/742: 8 A  
 755: 5.6 A  
 Voltage rating 741/742: 600 V  
 688/755: 300 V

### Cable Specifications - Automotive Color Code

Cable No.	Outer Jacket	Gauge	Jacket Color	OD	Temperature Rating	Agency Approvals
688	PVC	18AWG	Yellow	.290" (7.4 mm)	-40°C (-40°F) to +105°C (221°F)	UL: AWM2661
741	TPE	16AWG	Yellow	.390" (9.9 mm)	-40°C (-40°F) to +105°C (221°F)	UL: SEOOW / CSA: STOOW
742	TPE	16AWG	Yellow	.495" (12.6 mm)	-40°C (-40°F) to +105°C (221°F)	UL: SEOOW / CSA: STOOW
755	TPE	18AWG	Yellow	.333" (8.5 mm)	-40°C (-40°F) to +90°C (194°F)	UL: PLTC / CSA: AWM I/II, A/B

Part Number	Pins	Outer Jacket	Standard Cable Lengths	Characteristics
RSRK 301-688/...F RSRKW 301-688/...F	3	PVC	6 F / 12 F / 15 F / 20 F / 30 F	
RSRK 301-741/...F RSRKW 301-741/...F	3	TPE	6 F / 12 F / 15 F / 20 F / 30 F	
RSRK 501-742/...F RSRKW 501-742/...F	5	TPE	6 F / 12 F / 15 F / 20 F / 30 F	
RSRK 501-755/...F RSRKW 501-755/...F	5	TPE	6 F / 12 F / 15 F / 20 F / 30 F	

Cordsets Double-Ended

## X-ON Electronics

Largest Supplier of Electrical and Electronic Components

*Click to view similar products for [Sensor Cables / Actuator Cables](#) category:*

*Click to view products by [Lumberg](#) manufacturer:*

Other Similar products are found below :

[60963](#) [60964](#) [703000D02F2002](#) [703000D02F300](#) [703001D02F0602](#) [703001D02F1201](#) [703001D02F300](#) [704000D02F120](#) [773032K02F030](#)  
[802027107404-1](#) [802027213811-1](#) [804001A09M150](#) [805001A09M0502](#) [84914-0235](#) [84914-0237](#) [885030A09M020](#) [1200651332](#)  
[1200651713](#) [1200660844](#) [1200660845](#) [1200661173](#) [1200680071](#) [1200720053](#) [1200720081](#) [1200720099](#) [1200720217](#) [1200800231](#)  
[1200860125](#) [1200870123](#) [1200980102](#) [1200650267](#) [1200650298](#) [1200660183](#) [1200660782](#) [1200660849](#) [1200661295](#) [1200661297](#)  
[1200661342](#) [1200661343](#) [1200670080](#) [1200670220](#) [1200680331](#) [1200720252](#) [1200720255](#) [1200730184](#) [1200860344](#) [1200870359](#)  
[1200870643](#) [1200980008](#) [1200980031](#)