

**M12-Round-Plug Connector, Single-Ended Cordsets,
According to IEC 61076-2-101 for Robotic Applications**

RST | RSWT

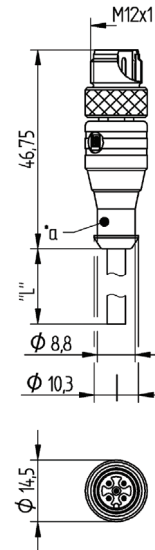


4-Poles

Actuator/sensor cordset, single-ended, M12, 4-poles, male straight connector with threaded joint and molded cable, connecting to knurled screw.

— especially designed for use in Robotic applications —

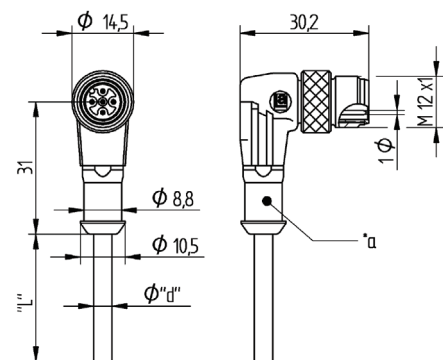
RST



Actuator/sensor cordset, single-ended, M12, 4-poles, male 90° connector with threaded joint and molded cable, connecting to knurled screw.

— especially designed for use in Robotic applications —

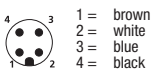
RSWT



Pin Assignments

M12 - Male

4 poles





M12-Round-Plug Connector, Single-Ended Cordsets, According to IEC 61076-2-101 for Robotic Applications RST | RSWT

Technical Data

Environmental

Degree of protection (IEC 60529)* IP67, IP68 (15m / 48h & 100m / 2h)
 Operating temperature range -40°C to +85°C

Mechanical

Housing / Molded body TPU - translucent
 Insert TPU, orange
 Contact CuSn
 Contact surface Cu/Au
 Knurled screw CuZn, nickel-plated

Electrical

Rated voltage 250V AC/DC
 Rated current* 4 A

Additional technical data

Fastening torque (coupling nut) M 12x1: (40-60) Ncm, hand-tight

Cable Specifications

| Cable No. | Outer Jacket | Conductor Size | Jacket Color | OD |
|-----------|--------------|-----------------|--------------|-----------------|
| 500 | PUR | 22 AWG stranded | black | 5.10 mm nominal |

Cordsets
Single-Ended

| Part Number | Pins | Outer Jacket | Standard Cable Lengths | Characteristics |
|----------------|-----------------|--------------|------------------------|------------------------------|
| Male Straight | Male 90° | | | |
| RST 4-500/...M | RSWT 4-500/...M | 4 | PUR | 2 M / 5 M / 10 M / 15M / 20M |



X-ON Electronics

Largest Supplier of Electrical and Electronic Components

Click to view similar products for [Sensor Cables / Actuator Cables](#) category:

Click to view products by [Lumberg](#) manufacturer:

Other Similar products are found below :

[60963](#) [60964](#) [703000D02F2002](#) [703000D02F300](#) [703001D02F0602](#) [703001D02F1201](#) [703001D02F300](#) [704000D02F120](#) [773032K02F030](#)
[802027107404-1](#) [802027213811-1](#) [804001A09M150](#) [805001A09M0502](#) [84914-0235](#) [84914-0237](#) [885030A09M020](#) [1200651332](#)
[1200651713](#) [1200660844](#) [1200660845](#) [1200661173](#) [1200680071](#) [1200720053](#) [1200720081](#) [1200720099](#) [1200720217](#) [1200800231](#)
[1200860125](#) [1200870123](#) [1200980102](#) [1200650267](#) [1200650298](#) [1200660183](#) [1200660782](#) [1200660849](#) [1200661295](#) [1200661297](#)
[1200661342](#) [1200661343](#) [1200670080](#) [1200670220](#) [1200680331](#) [1200720252](#) [1200720255](#) [1200730184](#) [1200860344](#) [1200870359](#)
[1200870643](#) [1200980008](#) [1200980031](#)