

M8 Actuator/Sensor Distribution Boxes

SBS 4/LED 3

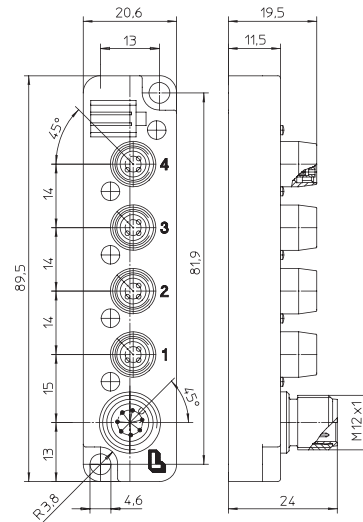


4-Ports (LED)

Pluggable miniature actuator/sensor distribution box with LED operation and function indicators, top-entry, 4-ports, M8 socket, 3-poles, 1 signal per socket, M12 connection for the control cable.

– control cable type: RKT 8-6-337 or RKWT 8-6-337 –

4-Ports

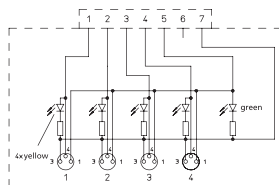
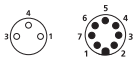


Pin Assignments

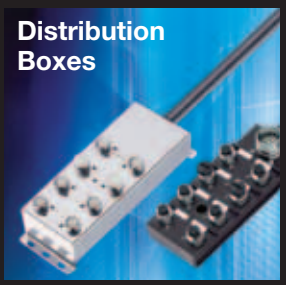
M8 / M12

Wiring Diagrams

4-Ports



- 1 = 5 (+)
- 3 = 7 (-)
- 4 = 1 (1)
- 2 = 2 (2)
- 3 = 3 (3)
- 4 = 4 (4)



Be Certain with Belden

M8 Actuator/Sensor Distribution Boxes

SBS 4/LED 3

Technical Data

Environmental

Degree of protection IP 67 / NEMA 6P
 Operating temperature range -15°C (+5°F) / +90°C (+194°F)

Mechanical



Housing TPU, self-extinguishing
 Insert **M8:** TPU, self-extinguishing
M12: PA
 Contact CuSn, pre-nickel and 0.8 microns gold-plated
 Receptacle shell Brass, nickel-plated
 O-ring FKM

Electrical

Contact resistance $\leq 5m\Omega$
 Voltage rating 10-30 V DC
 Current rating 2 A per port / 2 A max. total

Accessories (included)

ZVKM 2 dust covers for unused sockets
 1 attachable label

Part Number	Ports	Mating Cordsets	Mating Control Cable	Characteristics
SBS 4/LED 3	4	RSMV 3... or RSMWV 3...	RKT 8-6-337 or RKWT 8-6-337	 

Distribution Boxes

X-ON Electronics

Largest Supplier of Electrical and Electronic Components

Click to view similar products for [Circular Metric Connectors](#) category:

Click to view products by [Lumberg](#) manufacturer:

Other Similar products are found below :

[600X518037X](#) [6STD15PCR99B70A](#) [8R4000A16M020](#) [8R5000A16M005](#) [1200910002](#) [1203580030](#) [1200910008](#) [1200910011](#) [1300140094](#)
[130203-0054](#) [1300140026](#) [1300150099](#) [RF-12S1N8A90DU](#) [1-3637-600-5205](#) [1612618](#) [21036836414](#) [8R4006A16M010](#) [8R5006A18A120](#)
[1604232](#) [1R3006A20M005](#) [RF-12P1N8A80DU](#) [RF-12P1N8A90DU](#) [41-40011](#) [42-01015](#) [4-22279-4](#) [4-22281-1](#) [4-22284-9](#) [43-00113](#) [43-](#)
[01088](#) [43-01203](#) [41-40013](#) [42-00008](#) [43-00343](#) [43-01032](#) [43-01162](#) [43-10000](#) [600X518050X](#) [SACC-DSI-FS-5P-PG9-L180 SC](#)
[8R5006A16M020](#) [8R5006A16M005](#) [8R4000A16M010](#) [6-22279-3](#) [1605332](#) [N03FA03144](#) [1300140077](#) [43-01338](#) [XS2RD4265](#) [RSC 4/9](#)
[XS2R-D426-1](#) [XS8A-0441](#)