



CA32, CA36, CA37, CA39 PANEL POINTER FREQUENCY METERS



APPLICATION

CA36, CA37, CA39 and CA32 pointer frequency meters are moving-coil meters with built-in measuring transducers intended for measuring voltage frequency in AC electrical networks.

These meters can be mounted on panels of any kind of materials.

We deliver together the meters:

- two screw holders to fix the meter on the panel,
- a terminal shroud,
- a service manual.

BASIC REQUIREMENTS, USER'S SAFETY

CA series meters are destined to be installed on panels or switchboards.

They are in conformity with EN 61010-1 standard requirements.

TECHNICAL DATA Table 1

Measuring ranges	Accuracy class
45...55 Hz	0.5
45...65 Hz	0.5
48...52 Hz	0.5
55...65 Hz	0.5
360...440 Hz	0.5
380...420 Hz	0.5

Input voltages 60, 100, 110, 230, 240, 400, 415, 440, 500 V $\pm 20\%$

Rated operating conditions

- ambient temperature 5...23...40°C
- relative air humidity 25...85%

Power consumption $\leq 7VA$

Protection Grade acc. to EN60529

- front protection grade: in standard IP 52
- on request **IP 65 - CA36, CA37, CA39**

- terminal protection (with a terminal protection cover) - IP20

Electromagnetic compatibility:

- emission acc. EN 61000-6-4 standard
- immunity acc. EN 61000-6-2 standard

Safety requirements

- installation category acc. EN 61010-1+A1 standard III
- level of pollution 2

Maximal working voltage in relation to the earth

600 V AC

Housing material

thermoplastic, self-extinguishing plastic (UL 94V-O)

Glass material

glass (in standard)
anti-reflective glass on request

Weight

- CA32 490 g
- CA37 210 g
- CA39 280 g
- CA36 150 g

ACCESSORIES

We deliver with the meter:

- holders fixing the meter to the plate - 2 pcs. (for CA36, CA37, CA39) or 4 pcs. (for CA32).
- terminal protection cover 1 pc

EXTERNAL DIMENSIONS OF METER FOR IP65 PROTECTION GRADE

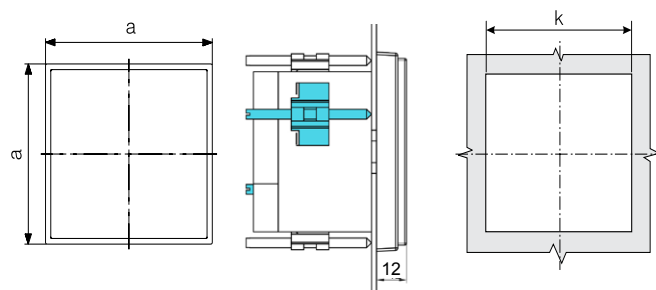
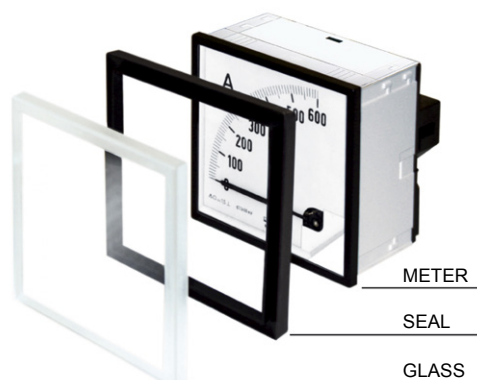


Table 2

Type	a	k
CA36	54,8	45+0,6
CA37	79,6	68+0,7
CA39	103,6	92+0,8

Included are two screw holders which should be fixed on arbitrary, opposite case corners



EXTERNAL DIMENSIONS OF CA36, CA37, CA39, CA32

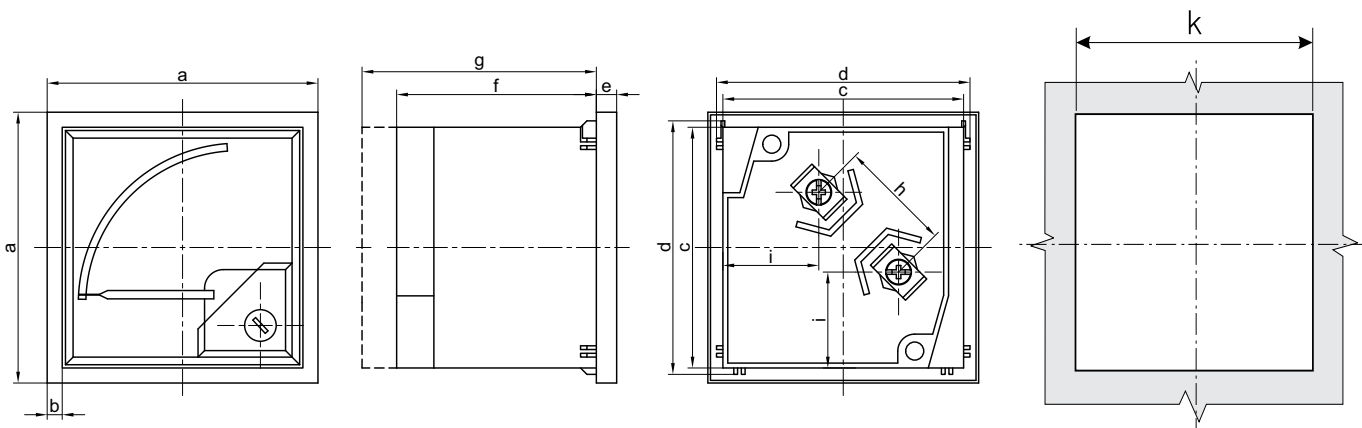


Fig. 1. External dimensions of CA36, CA37, CA39, CA32 meters.

External dimensions of CA36, CA37, CA39, CA32 [mm] meters.

Table 3

Type	a	b	c	d	e	f		g		h	i	k*	
						<6A	6-25A	>6A	>6-25A				
CA36	48	3	43,5	44,5	5,5	53	68	64	75	18,7	21,6	45+0,6	
CA37	72	4	64	67,5	5,5	53	68	64		69,5	30	25,7	68+0,7
CA39	96	4	88	91,5	5,5	53	68	64		69,5	30	27,2	92+0,8
CA32	144	5,5	136	137,5	8,5	53	68	64		69,5	30	37	138+1

* panel cut-out dimensions

WORKING POSITION

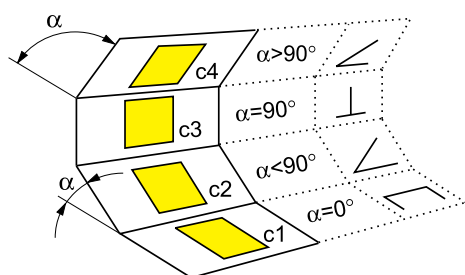


Table 4

Code	Working position
0	c3
A	c1
B	c2 α = 15°
C	c2 α = 30°
D	c2 α = 45°
E	c2 α = 60°
F	c2 α = 75°
H	c4 α = 105°
I	c4 α = 120°

WAY OF THE METER FIXATION ON THE PANEL.

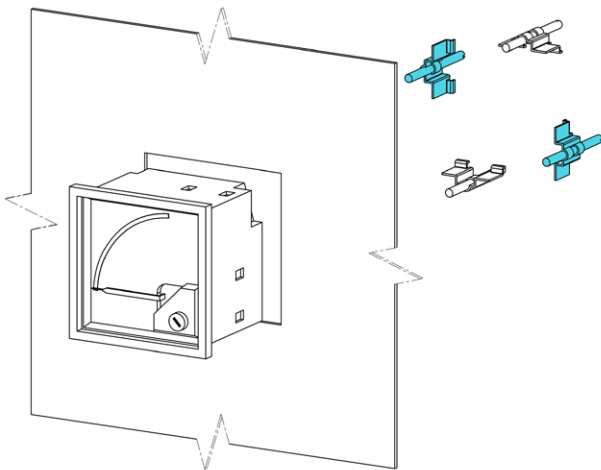


Fig. 2. Fixing of meters CA36, CA37, CA39 in the panel (version with IP52) ¹

¹ Included are two screw holders which should be fixed on arbitrary, opposite case corners

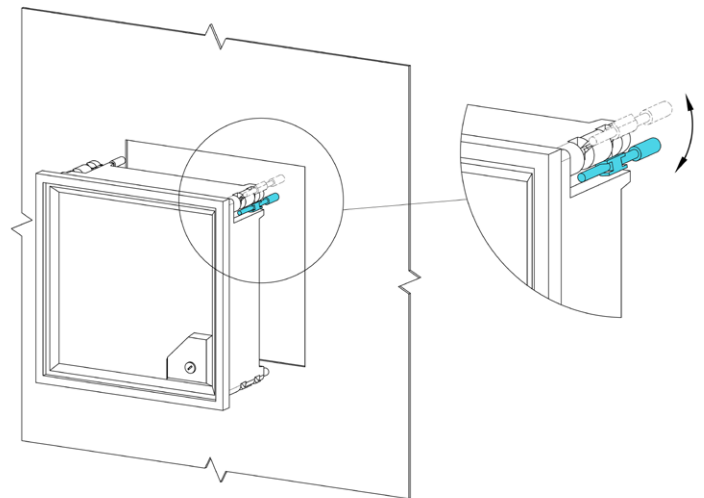


Fig. 3. Fixing of CA32 meters (version with IP52)²

²The meter is fixed to the panel by two screw holders situated on opposite corners of the case.

ORDERING PROCEDURE

PANEL FREQUENCY METERS CA37, CA39, CA32	X	X	X	XX	X
Frequency range: 45...55 Hz.....	1				
45...65 Hz.....	2				
48...52 Hz.....	3				
55...65 Hz.....	4				
360...440 Hz.....	8				
380...420 Hz.....	9				
Rated voltage: 60 V.....	1				
100 V.....	2				
110 V.....	3				
230 V.....	4				
400 V.....	5				
415 V.....	6				
440 V.....	7				
500 V.....	8				
690 V.....	9				
Working position Write in the code acc. table 2.....					X
Version: Standard					00
Custom-made*					XX
Acceptance tests: Without additional requirements					8
With a certificate delivered by the Technical Inspection Dept.					7
Other requirements.....					X

* The version number is settled by the manufacturer.

Example of order

Code: CA37-1-4-O-00-8, means:

The version of a frequency meter, CA37 type in a 72 x 72 mm case, for the frequency range: 45...55 Hz, rated voltage: 230 V, working position: c3 (90°- vertical), standard version, without additional requirements.



X-ON Electronics

Largest Supplier of Electrical and Electronic Components

Click to view similar products for [lumel](#) manufacturer:

Other Similar products are found below :

[B2 06010A0A0100M0](#) [B2 0601A00A0100M0](#) [B2 0601K00B0100M0](#) [B2 060250AB0100M0](#) [B2 060500AB01B2M0](#) [B2 0605A00A01A1M0](#) [B3 150200AD01A2M0](#) [B4 05050A0D01A2M0](#) [B5 075300AB01B1M0](#) [B6 1001K00B0100M0](#) [BA391NE4050000](#)
[BE271NF4162000](#) [BE271NF4170000](#) [BE271NF4500000](#) [BE391NF4122000](#) [CA39 170000](#) [EA12N C70100000000](#) [EA12N C70200000000](#)
[EA12N E20700000000](#) [EA12N E21000000000](#) [EA12N E21200000000](#) [EA12N E21300000000](#) [EA12N E40900000000](#) [EA12N E41600000000](#) [EA12N E61100000000](#) [EA12N E61500000000](#) [EA16N E20100000A0](#) [EA16N E20200000A0](#) [EA16N E20700000A0](#) [EA16N E21000000A0](#) [EA16N E41300000A0](#) [EA16N E41700000A0](#) [EA17N C70000000000](#) [EA17N C70300000000](#) [EA17N E20300000000](#)
[EA17N E20700000000](#) [EA17N E20800000000](#) [EA17N E20900000000](#) [EA17N E21200000000](#) [EA17N E41300000000](#) [EA17N E41500000000](#) [EA19N E21400000000](#) [EA19N F21500000000](#) [EB16N E20600000A0](#) [EP27NC7060000](#) [EP27NE6150000](#) [EP29NC7250000](#)
[EP29NE6150000](#) [EP29NE7050000](#) [HT20-1100M0](#)