

FA39, FA32

PANEL POWER FACTOR METERS with built-in transducers



APPLICATION

FA39 and FA32 panel power factor meters are destined for measurements of the phase angle between the voltage and current in single-phase or three-phase AC power networks.

These meters are calibrated to correspond to the cosine of the angle, i.e. the power factor.

These meters can be mounted on panels of any kind of materials.

TECHNICAL DATA

| | |
|---|--|
| Measuring ranges: | 0.5 cap ...1...0.5 ind 0.8 cap ...1...0.3 ind 0.8 cap ...1...0.8 ind |
| Input voltage (one of the series): | |
| - for single-phase meters | 60, 100, 110, 230, 400 V |
| - for meters working in symmetrically loaded three-phase networks | 100, 110, 230, 400, 415, 440, 500 V |
| Input current | 1 A or 5 A |
| Accuracy class | 1.5 |
| Rated operating conditions: | |
| - ambient temperature | -10...23...55°C |
| - air relative humidity | 25...85% |
| - input voltage | Un ±15% |
| - input current | 20 ...40 ...100 ...120% In |
| - frequency of the input voltage | 49...51 Hz for 1 phase 45...65 Hz for 3 phases |
| - working position | acc. order ±5° (table 1) |
| Additional errors | acc. EN 60051-1 standard |
| Power consumption | |
| - in voltage circuit | ≤ 8 VA |
| - in current circuit | ≤ 0.2 VA |
| Protection Grade acc. to EN60529 | |
| - front protection grade: | |
| - IP52 | |
| - IP65 only for F39 meters | |
| - terminal protection: IP20 | |
| Electromagnetic compatibility: | |
| The meter fulfils CE mark requirements: | |
| - emission | acc. EN 61000-6-4 standard |
| - immunity | acc. EN 61000-6-2 standard |
| Safety requirements | |
| - installation category | III |
| - level of pollution | 2 |
| - maximal working voltage in relation to the earth | 660 V |

Housing material

thermoplastic, self-extinguishing plastic (UL 94V-0)

Glass material

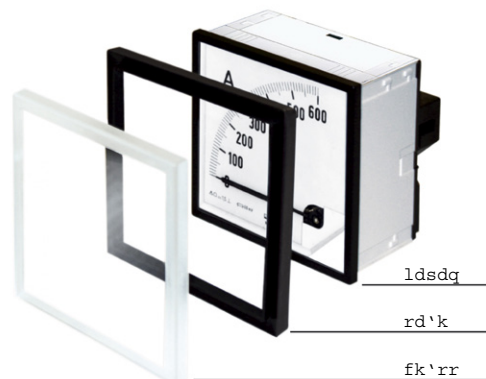
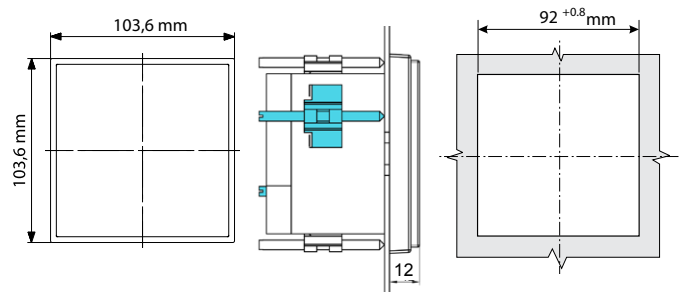
glass (in standard)
anti-reflective glass on request

ACCESSORIES

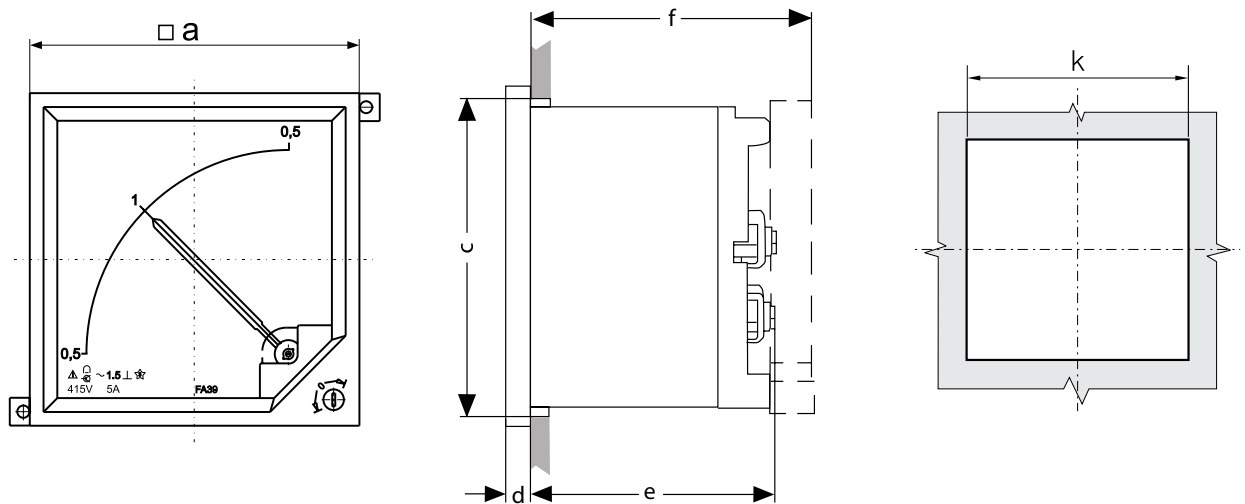
We deliver with the meter:

- screw holders2 pcs
- terminal protection cover.....1 pc
- user's manual.....1 pc

EXTERNAL DIMENSIONS OF FA39 FOR IP65 PROTECTION GRADE



EXTERNAL DIMENSIONS OF F32 AND FA39 FOR IP52 PROTECTION GRADE



| Type | a | c | d | e | f | k |
|------|-----|---------------------|-----|------|------|---------------------|
| | mm | | | | | |
| FA39 | 96 | 92 ^{+0.8} | 5,5 | 51.5 | 63.5 | 92 ^{+0.8} |
| FA32 | 144 | 138 ^{+1.0} | 5,5 | 53 | 63.5 | 138 ^{+1.0} |

SPOSÓB MOCOWANIA W TABLICY

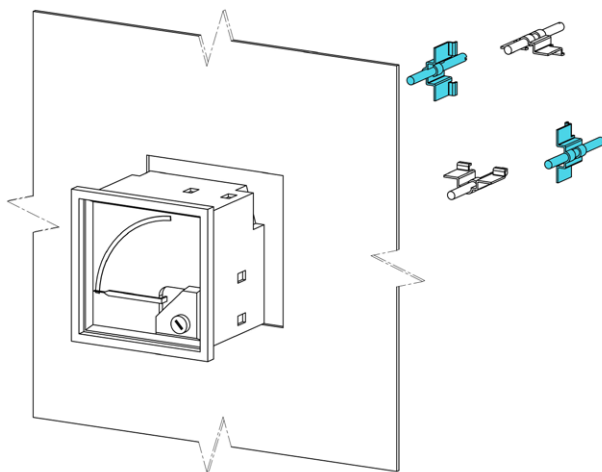


Fig. 2. Fixing of meters FA39 in the panel (version with IP52)¹

¹ Included are two screw holders which should be fixed on arbitrary, opposite case corners

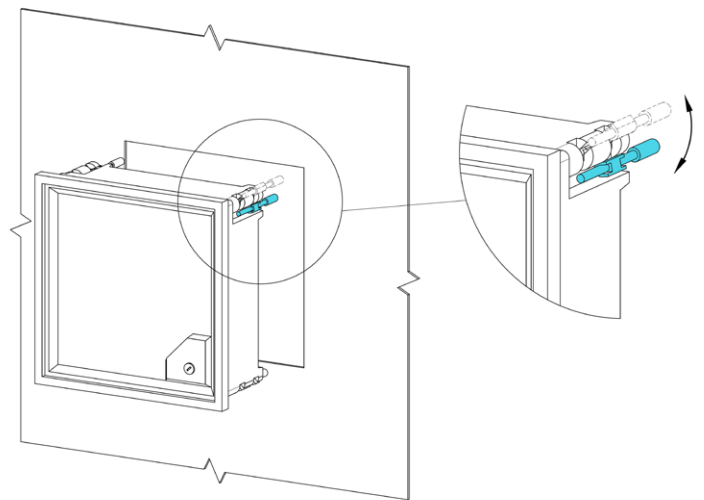


Fig. 3. Fixing of FA32 meters (version with IP52)²

²The meter is fixed to the panel by two screw holders situated on opposite corners of the case.

WORKING POSITION

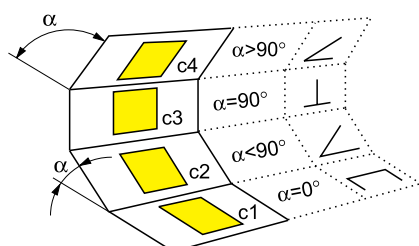
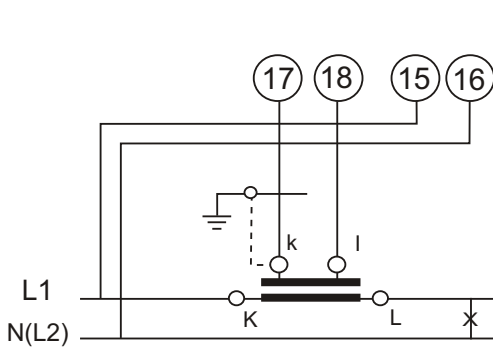


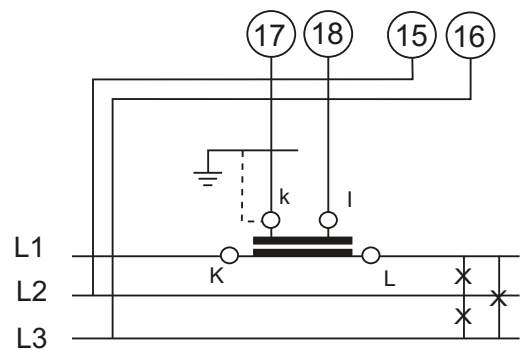
Table 1

| Code | Working position |
|------|------------------|
| 0 | c3 |
| A | c1 |
| B | c2 α = 15° |
| C | c2 α = 30° |
| D | c2 α = 45° |
| E | c2 α = 60° |
| F | c2 α = 75° |
| H | c4 α = 105° |
| I | c4 α = 120° |

ELECTRICAL CONNECTIONS OF EXTERNAL CIRCUITS



single phase



three phase wire balanced load

ORDERING PROCEDURE

| | | | | | | | |
|---|----|---|---|----|---|----|---|
| POWER FACTOR METERS FA39, FA32 | X | X | X | XX | X | XX | X |
| Measurement of power factor in: | | | | | | | |
| Single phase networks..... | 1 | | | | | | |
| Three-phase, three-wire symmetrically loaded networks | 3 | | | | | | |
| Measuring range: | | | | | | | |
| 0.5 cap ...1 ...0.5 ind | A | | | | | | |
| 0.8 cap ...1 ...0.3 ind | B | | | | | | |
| 0.8 cap ...1 ...0.8 ind | C | | | | | | |
| Input current: | | | | | | | |
| 1 A..... | 1 | | | | | | |
| 5 A..... | 5 | | | | | | |
| Input voltage: | | | | | | | |
| 60V (only for measurement in a single-phase network) | 01 | | | | | | |
| 100 V | 02 | | | | | | |
| 110 V..... | 03 | | | | | | |
| 230 V | 04 | | | | | | |
| 400 V | 05 | | | | | | |
| 415 V (only for measurement in a three-phase network) | 06 | | | | | | |
| 440 V (only for measurement in a three-phase network) | 07 | | | | | | |
| 500 V (only for measurement in a three-phase network) | 08 | | | | | | |
| On request after agreement..... | XX | | | | | | |
| Working position | | | | | | | |
| Write in the code acc. table 1 | X | | | | | | |
| Version: | | | | | | | |
| Standard | 00 | | | | | | |
| Custom-made. The code must be agreed with the manufacturer..... | XX | | | | | | |
| Acceptance tests: | | | | | | | |
| Without additional requirements | 8 | | | | | | |
| With a quality inspection certificate | 7 | | | | | | |
| Other requirements..... | X | | | | | | |

EXAMPLE OF ORDER

Code: FA39-1-A-5-04-O-00-8, means:

The version of a power factor meter FA39 type, for measurement in a single-phase network, range: 0.5cap ...1 ...0.5ind, input current: 5 A, input voltage: 230 V, working position: c3 (90° - vertical), standard version, without additional test requirements.



X-ON Electronics

Largest Supplier of Electrical and Electronic Components

Click to view similar products for [LUMEL manufacturer](#):

Other Similar products are found below :

[ATS 100](#) [ATS 200](#) [ATS 300](#) [ATS 400](#) [ATS 500](#) [B2 060100AA0100M0](#) [B2 06010A0A0100M0](#) [B2 060120AA01A2M0](#) [B2 06015A0A0100M0](#) [B2 060160AA01A2M0](#) [B2 0601A00A0100M0](#) [B2 0601K00B0100M0](#) [B2 060200AB01B1M0](#) [B2 0602K50B0100M0](#) [B2 06030A0A01A1M0](#) [B2 06040A0A0100M0](#) [B2 0604A00A0100M0](#) [B2 06050A0A01A2M0](#) [B2 0605A00A01A1M0](#) [B2 0606A00A0100M0](#) [B2 060800AB01B3M0](#) [B3 15010A0A0100M0](#) [B3 150200AD01A2M0](#) [B3 15025A0A0100M0](#) [B3 15050A0D01A2M0](#) [B3 1505A00A01A1M0](#) [B3 15060A0D0100M0](#) [B4 0502K00B01B5M0](#) [B4 05050A0D01A2M0](#) [B5 075300AB01B1M0](#) [B5 07575A0D01A2M0](#) [B6 10010A0A0100M0](#) [B6 100150AD0100M0](#) [B6 10020A0A01A1M0](#) [B6 10050A0D01A2M0](#) [BA271NE4120000](#) [BA271NE4160000](#) [BA271NE4170000](#) [BA391NE4050000](#) [BE271NF4162000](#) [BE271NF4170000](#) [BE271NF4500000](#) [BE391NF4122000](#) [CA39 120000](#) [EA12N C70100000000](#) [EA12N C70200000000](#) [EA12N E20700000000](#) [EA12N E21000000000](#) [EA12N E21200000000](#) [EA12N E21300000000](#)