

LOW-VOLTAGES CURRENT TRANSFORMES





LUMEL

For over sixty years we have been providing you with all what you need, working in accordance with the highest standards. Every day thousands of our clients all over the world get our safe and user-friendly products. It wouldn't be possible without power and skills of our best specialists. We remember about every single detail

EVERYTHING COUNTS

#Lumel no **1** in Poland

APA magazine poll | july 2018

Thank you

| | |
|-----------------------------------------------|----|
| Current transformers summary..... | 4 |
| General overview of current transformers..... | 5 |
| Instrument security factor..... | 7 |
| LCTM - wound primary series..... | 11 |
| LCTR - round conductor series..... | 13 |
| LCTB 45 - busbar series..... | 14 |
| LCTB 50 - busbar series..... | 15 |
| LCTB 62 - busbar series..... | 17 |
| LCTB 74 - busbar series..... | 19 |
| LCTB 86 - busbar series..... | 21 |
| LCTB 100 - busbar series..... | 22 |
| LCTB 104 - busbar series..... | 23 |
| LCTB 140 - busbar series..... | 24 |
| LCTB 225 - busbar series..... | 26 |
| LCTS - split core..... | 27 |
| LCTP - 3-phase current transformers..... | 27 |
| LRC - resin cast current transformers..... | 30 |
| LU01 - summation current transformers..... | 35 |
| Accessories..... | 38 |



CURRENT TRANSFORMERS SUMMARY

| Hole diameter/ Busbar dimensions | Transformer type | Page no. | Range of primary currents | | | | | | | | | |
|--------------------------------------------------------------------------------|-------------------|----------|---------------------------|--------|-----------|--------|------------|--------|-----------|--------|---------|--------|
| | | | Class 0.25 | | Class 0.2 | | Class 0.55 | | Class 0.5 | | Class 1 | |
| | | | min | max | min | max | min | max | min | max | min | max |
| Wound primary series | | | | | | | | | | | | |
| N/A | LCTM 62/W(40) | 11 | - | - | 1 A | 30 A | - | - | 1 A | 30 A | 1 A | 30 A |
| N/A | LCTM 74/W(40) | 11 | - | - | 1 A | 60 A | - | - | 1 A | 60 A | 1 A | 60 A |
| Current transformers with window for round conductor or busbar | | | | | | | | | | | | |
| Ø 14 | LCTR 45/14(40) | 13 | - | - | - | - | - | - | 80 A | 300 A | 30 A | 300 A |
| Ø 14 | LCTR 50/14(30) | 13 | - | - | - | - | - | - | 100 A | 300 A | 40 A | 300 A |
| Ø 14 | LCTR 50/14(50) | 13 | - | - | - | - | - | - | 50 A | 300 A | 30 A | 300 A |
| Ø 22 | LCTR 62/R(40) | 13 | - | - | 100 A | 600 A | - | - | 75 A | 600 A | 50 A | 600 A |
| Ø 20 / 20 x 10 | LCTB 45/21(40) | 14 | - | - | - | - | - | - | 80 A | 400 A | 50 A | 400 A |
| Ø 21 / 20 x 10 | LCTB 50/21(30) | 15 | - | - | - | - | - | - | 80 A | 400 A | 40 A | 400 A |
| Ø 26 / 30 x 10 | LCTB 50/30(30) | 15 | - | - | - | - | - | - | 100 A | 600 A | 75 A | 600 A |
| Ø 21 / 20 x 10 | LCTB 50/21(50) | 15 | - | - | - | - | - | - | 50 A | 400 A | 50 A | 400 A |
| Ø 26 / 30 x 10 | LCTB 50/30(50) | 15 | - | - | - | - | - | - | 100 A | 600 A | 50 A | 600 A |
| 20 x 12 | LCTB 62/20(40) | 17 | 100 A | 400 A | 100 A | 400 A | 100 A | 400 A | 75 A | 400 A | 50 A | 400 A |
| Ø 30 / 30 x 10 | LCTB 62/30(40) | 17 | 100 A | 800 A | 100 A | 800 A | 100 A | 800 A | 100 A | 800 A | 50 A | 800 A |
| Ø 28 / 30 x 10 | LCTB 62/30(50) | 17 | 100 A | 800 A | 100 A | 800 A | 100 A | 800 A | 75 A | 800 A | 40 A | 800 A |
| Ø 31 / 40 x 10 | LCTB 62/40(40) | 17 | 200 A | 800 A | 200 A | 800 A | 200 A | 800 A | 200 A | 800 A | 100 A | 800 A |
| Ø 20 / 20 x 10 | LCTB 74/20(45) | 19 | 100 A | 400 A | 100 A | 400 A | 100 A | 400 A | 75 A | 400 A | 30 A | 400 A |
| Ø 26 / 30 x 15 | LCTB 74/30(45) | 19 | 100 A | 800 A | 100 A | 800 A | 100 A | 800 A | 75 A | 800 A | 30 A | 800 A |
| Ø 35 / 40 x 12 | LCTB 74/40(45) | 19 | 200 A | 1000 A | 200 A | 1000 A | 200 A | 1000 A | 100 A | 1000 A | 40 A | 1000 A |
| Ø 41 / 50 x 12 | LCTB 74/50(45) | 19 | 250 A | 1000 A | 250 A | 1000 A | 250 A | 1000 A | 200 A | 1000 A | 100 A | 1000 A |
| Ø 36 / 40 x 10 | LCTB 86/40(45) | 21 | 100 A | 1000 A | 100 A | 1000 A | 100 A | 1000 A | 100 A | 1000 A | 50 A | 1000 A |
| Ø 46 / 50 x 12 | LCTB 86/50(45) | 21 | 300 A | 1250 A | 300 A | 1250 A | 300 A | 1250 A | 120 A | 1250 A | 100 A | 1250 A |
| Ø 51 / 60 x 12 | LCTB 86/60(45) | 21 | 300 A | 1600 A | 300 A | 1600 A | 300 A | 1600 A | 200 A | 1600 A | 100 A | 1600 A |
| Ø 54 / 60 x 12 | LCTB 104/60(45) | 23 | 300 A | 1600 A | 250 A | 1600 A | 300 A | 1600 A | 150 A | 1600 A | 100 A | 1600 A |
| Ø 65 / 80 x 12 | LCTB 104/80(45) | 23 | 750 A | 2000 A | 400 A | 2000 A | 750 A | 2000 A | 250 A | 2000 A | 200 A | 2000 A |
| Ø 72 / 80 x 30 | LCTB 140/80(45) | 24 | 500 A | 2000 A | 300 A | 2000 A | 500 A | 2000 A | 200 A | 2000 A | 200 A | 2000 A |
| Ø 86 / 100 x 30 | LCTB 140/100H(45) | 24 | 600 A | 4000 A | 400 A | 4000 A | 600 A | 4000 A | 200 A | 4000 A | 200 A | 4000 A |
| 124 x 93 | LCTB 225/125(50) | 26 | 1000 A | 6000 A | 600 A | 6000 A | 1000 A | 6000 A | 600 A | 6000 A | 600 A | 6000 A |
| 166 x 65 | LCTB 225/167(50) | 26 | 1500 A | 7500 A | 1000 A | 7500 A | 1500 A | 7500 A | 1000 A | 7500 A | 1000 A | 7500 A |
| Current transformers with vertical window for busbar or round conductor | | | | | | | | | | | | |
| 41 x 103 | LCTB 100/100V(45) | 22 | 1200 A | 2500 A | 1000 A | 2500 A | 1200 A | 2500 A | 400 A | 2500 A | 400 A | 2500 A |
| 38 x 128 | LCTB 100/130V(45) | 22 | NA | NA | 1500 A | 3000 A | NA | NA | 400 A | 3000 A | 400 A | 3000 A |
| Ø 86 / 100 x 30 | LCTB 140/100V(45) | 24 | 600 A | 3000 A | 400 A | 3000 A | 600 A | 3000 A | 200 A | 3000 A | 200 A | 3000 A |
| 70 x 130 | LCTB 140/130V(45) | 24 | NA | NA | 1000 A | 5000 A | NA | NA | 400 A | 5000 A | 400 A | 5000 A |
| Split core series | | | | | | | | | | | | |
| 23 x 33 | LCTS 93/30SC(40) | 27 | NA | NA | NA | NA | NA | NA | 300 A | 400 A | 100 A | 400 A |
| 85 x 54 | LCTS 125/50SC(40) | 27 | NA | NA | NA | NA | NA | NA | 250 A | 1000 A | 250 A | 1000 A |
| 85 x 125 | LCTS 155/80SC(40) | 27 | NA | NA | NA | NA | NA | NA | 250 A | 3000 A | 250 A | 3000 A |
| 82 x 162 | LCTS 195/80SC(64) | 27 | NA | NA | NA | NA | NA | NA | 500 A | 5000 A | 500 A | 5000 A |
| 3-phase current transformers | | | | | | | | | | | | |
| 20 x 10 | LCTP 75/ 15 (60) | 28 | NA | NA | NA | NA | NA | NA | 150 | 160 | 100 | 160 |
| 20 x 10 | LCTP 105/ 21 (40) | 28 | NA | NA | NA | NA | NA | NA | 160 | 250 | 100 | 250 |
| 30 x 15 | LCTP 140/ 31 (40) | 28 | NA | NA | NA | NA | NA | NA | 250 | 630 | 250 | 630 |
| N/A | LCTP 185/ 27 (45) | 29 | NA | NA | NA | NA | NA | NA | NA | NA | 100 | 500 |
| N/A | LCTP 185/ 37 (45) | 29 | NA | NA | NA | NA | NA | NA | NA | NA | 300 | 800 |

CURRENT TRANSFORMERS SUMMARY



| Hole diameter/ Busbar dimensions | Transformer type | Page no. | Range of primary currents | | | | | | | | | | |
|----------------------------------------|-------------------|----------|---------------------------|-----|-----------|-----|------------|-----|-----------|-----|---------|--------|--------|
| | | | Class 0.2S | | Class 0.2 | | Class 0.5S | | Class 0.5 | | Class 1 | | |
| | | | min | max | min | max | min | max | min | max | min | max | |
| Resin cast current transformers | | | | | | | | | | | | | |
| ∅ 30 | LRC1 80/30 (50) | 30 | - | - | - | - | - | - | - | NA | NA | 60 A | 160 A |
| ∅ 50 | LRC2 90/50 (40) | 30 | - | - | - | - | - | - | - | NA | NA | 200 A | 320 A |
| ∅ 72 | LRC3 110/72 (40) | 31 | - | - | - | - | - | - | - | NA | NA | 400 A | 630 A |
| ∅ 85 | LRC4 135/85 (40) | 31 | - | - | - | - | - | - | - | NA | NA | 800 A | 1250 A |
| ∅ 115 | LRC5 165/115 (40) | 32 | - | - | - | - | - | - | - | NA | NA | 1500 A | 2000 A |
| ∅ 130 | LRC6 195/130 (40) | 32 | - | - | - | - | - | - | - | NA | NA | 2500 A | 3200 A |
| ∅ 165 | LRC7 230/165 (40) | 33 | - | - | - | - | - | - | - | NA | NA | 3000 A | 3200 A |
| ∅ 200 | LRC8 295/200 (40) | 33 | - | - | - | - | - | - | - | NA | NA | 4000 A | 5000 A |

GENERAL OVERVIEW OF CURRENT TRANSFORMERS

CURRENT TRANSFORMER is used for measurement of electric alternating currents. When current in a circuit (primary current) is too high to directly apply to measuring instruments, a current transformer produces a reduced current (secondary current) accurately proportional to the current in the circuit, which can be conveniently connected to measuring and recording instruments. A current transformer also isolates the measuring instruments from what may be very high voltage in the monitored circuit. Relationship between primary and secondary currents is called **rated transformation ratio**.

$$I_1 = I_2 \cdot \frac{N_2}{N_1}$$

where: I_1 - primary current, I_2 - secondary current, N_1 - number of turns of primary winding, N_2 - number of turns of secondary winding, N_2/N_1 - rated transformation ratio
Current transformers are used mainly in such a way that the cable from the measured shock or bus current passes through the main hole transformer, which is equivalent to one coil primary winding. In this case, the above equation simplifies to:

$$I_1 = I_2 \cdot N_2$$

The task is to reduce the transformer output current for currents of over 120% of measurement range, to protect against destruction of measuring devices connected to the transformer in case of surges or failures in the primary circuit.

FEATURES:

- Wide range of accuracy classes: 0.2S, 0.2, 0.5S, 0.5, 1; 3
- Wide range of supported primary currents, the dimensions of rails, the length of casing and hole diameters.
- Multiple mounting methods, including wall mounting, DIN rail 35mm, the conductor, a current bar.
- Shields designed to seal connections.



GENERAL SPECIFICATION

| | |
|---------------------------------------------------------|------------------------------------------------------------------------------------------------------------------------------------------|
| Applicable standard: | IEC 61869-1/2 |
| Case: | 10% glass filled polycarbonate, flame retardant grades classified UL 94V-0 or housing made of epoxy resin (LRC series only) |
| Connection: | Two connection on each side. M4 screws with self lifting clamp strap. |
| Insulation class | E (120°C max) |
| Maximum system voltage: | 0.72 kV |
| Operating frequency: | 50/60 Hz |
| Rated primary rating: | 1 A ... 7500 A |
| Rated secondary output: | 5 A or 1 A (for LCTP 3-phase current transformers only 5 A) |
| Rated burden: | 1, 1.25, 1.5, 2.5, 3.75, 5, 7.5, 10, 12.5, 15, 20, 30, 45, 60, 100 VA |
| Accuracy class: | 0.2, 0.2S, 0.5S – for laboratory and power measurement 0.5 – for accurate measuring 1 – for general measurement, for analog meters |
| Ambient temperature: | -20°C ... +45°C |
| Storage temperature: | -50°C ... +80°C |
| Thermal short circuit current (I_{th}): | 40 x I _n for wound type 60 x I _n for bus bar type |
| Dynamic short circuit current (I_{dyn}): | 2.5 x I _{th} |
| Instrument security factor (FS): | 2.5, 5, 10 |

FEATURES:

720 V **Class**
0.2S 0.2
0.5S 0.5
1 3

OUTPUTS:

5 A **1 A**

DEMAND FOR POWER MEASURING DEVICES:

CT users expect these devices fulfill two basic conditions:

- a high degree of accuracy in the nominal current,
- security functions with overloads.

In order to fulfill these stipulations it is necessary for the power of a current transformer offered to fully achieve the actual power requirements of the measurement setup. In ascertaining the actual power requirements, consideration is to be made not only of the loss of power of the appliances to be connected up, but also the losses incurred by the instrument leads.

Power requirements for measuring apparatus and relays:

- Analog moving-iron meters 0.7 – 1.5 VA
- Rectifier current meters 0.001 – 0.250 VA
- Multi-range current meters 0.005 – 5.000 VA
- Current recorders 0.300-9.000 VA
- Bimetallic ammeters 2.5 – 3.0 VA
- Power meter 0.2 – 5.0 VA
- Power factor meter 2.0 – 6.0 VA
- Meters 0.4 – 1.0 VA
- Relays 0.2 – 6.0 VA
- Power transducers 0.5 VA
- Energy meters 2.5 VA

Internal losses of copper wiring:

$$P = \frac{I^2 \times 2 L}{q_{CU} \times 56} \text{ [VA]}$$

Where:
 I – Secondary nominal current,
 L – Distance in [m],
 q_{CU} – wire cross-section in [mm²].

CONNECTION DIAGRAMM OF CURRENT TRANSFORMERS

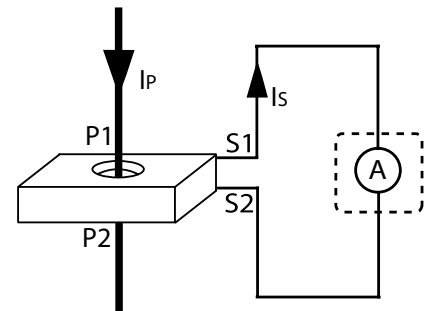


Table for values appertaining to 5 A

| q _{CU} | 1 m | 2 m | 3 m | 4 m | 5 m | 6 m | 7 m | 8 m | 9 m | 10 m |
|----------------------|------|------|------|------|------|------|------|------|------|------|
| 2.5 mm ² | 0.36 | 0.71 | 1.07 | 1.43 | 1.78 | 2.14 | 2.50 | 2.86 | 3.21 | 3.57 |
| 4.0 mm ² | 0.22 | 0.45 | 0.67 | 0.89 | 1.12 | 1.34 | 1.56 | 1.79 | 2.01 | 2.24 |
| 6.0 mm ² | 0.15 | 0.30 | 0.45 | 0.60 | 0.74 | 0.89 | 1.04 | 1.19 | 1.34 | 1.49 |
| 10.0 mm ² | 0.09 | 0.18 | 0.27 | 0.36 | 0.44 | 0.54 | 0.63 | 0.71 | 0.80 | 0.89 |

Table for values appertaining to 1 A

| q _{CU} | 10 m | 20 m | 30 m | 40 m | 50 m | 60 m | 70 m | 80 m | 90 m | 100 m |
|----------------------|------|------|------|------|------|------|------|------|------|-------|
| 1.0 mm ² | 0.36 | 0.71 | 1.07 | 1.43 | 1.78 | 2.14 | 2.50 | 2.86 | 3.21 | 3.57 |
| 2.5 mm ² | 0.14 | 0.29 | 0.43 | 0.57 | 0.72 | 0.86 | 1.00 | 1.14 | 1.29 | 1.43 |
| 4.0 mm ² | 0.09 | 0.18 | 0.27 | 0.36 | 0.45 | 0.54 | 0.63 | 0.71 | 0.80 | 0.89 |
| 6.0 mm ² | 0.06 | 0.12 | 0.18 | 0.24 | 0.30 | 0.36 | 0.42 | 0.48 | 0.54 | 0.60 |
| 10.0 mm ² | 0.04 | 0.07 | 0.11 | 0.14 | 0.18 | 0.21 | 0.25 | 0.29 | 0.32 | 0.36 |

INSTRUMENT SECURITY FACTOR

| Transformer type | | LCTB - busbar series | | | | | | | | | | | | | | | | | | | | | |
|------------------|--|---------------------------------|------|--------------------|-----|-----------------|---|------------------|------|------------------|------|--------------------|---|--------------------|------|--------------------|------|------|---|-----|-----|---|--|
| | | LCTB 100/100V (45) | | LCTB 100/130V (45) | | LCTB104/60 (45) | | LCTB 104/80 (45) | | LCTB 140/80 (45) | | LCTB 140/100H (45) | | LCTB 140/100V (45) | | LCTB 140/130V (45) | | | | | | | |
| Class | | 0.25 | 0.55 | 1 | 0.2 | 0.5 | 1 | 0.25 | 0.55 | 1 | 0.25 | 0.55 | 1 | 0.25 | 0.55 | 1 | 0.25 | 0.55 | 1 | 0.2 | 0.5 | 1 | |
| Range [A] | | Instrument security factor (FS) | | | | | | | | | | | | | | | | | | | | | |
| 100 | | | | | | | | | | | | | | | | | | | | | | | |
| 120 | | | | | | | | | | | | | | | | | | | | | | | |
| 125 | | | | | | | | | | | | | | | | | | | | | | | |
| 150 | | | | | | | | | | | | | | | | | | | | | | | |
| 200 | | | | | | | | | | | | | | | | | | | | | | | |
| 250 | | | | | | | | | | | | | | | | | | | | | | | |
| 300 | | | | | | | | | | | | | | | | | | | | | | | |
| 400 | | | | | | | | | | | | | | | | | | | | | | | |
| 500 | | | | | | | | | | | | | | | | | | | | | | | |
| 600 | | | | | | | | | | | | | | | | | | | | | | | |
| 750 | | | | | | | | | | | | | | | | | | | | | | | |
| 800 | | | | | | | | | | | | | | | | | | | | | | | |
| 1000 | | | | | | | | | | | | | | | | | | | | | | | |
| 1200 | | | | | | | | | | | | | | | | | | | | | | | |
| 1250 | | | | | | | | | | | | | | | | | | | | | | | |
| 1500 | | | | | | | | | | | | | | | | | | | | | | | |
| 1600 | | | | | | | | | | | | | | | | | | | | | | | |
| 2000 | | | | | | | | | | | | | | | | | | | | | | | |
| 2500 | | | | | | | | | | | | | | | | | | | | | | | |
| 3000 | | | | | | | | | | | | | | | | | | | | | | | |
| 3200 | | | | | | | | | | | | | | | | | | | | | | | |
| 4000 | | | | | | | | | | | | | | | | | | | | | | | |
| 5000 | | | | | | | | | | | | | | | | | | | | | | | |

INSTRUMENT SECURITY FACTOR



| Transformer type | | LU01 - summation current transformer | | | |
|------------------|-------|--------------------------------------|---|------------|----|
| | | LU01 (75) | | LU01 (150) | |
| Class | | 0,5 | 1 | 0,5 | 1 |
| Inputs | Power | Instrument security factor (FS) | | | |
| 2 x 5A | 5 VA | 5 | 5 | | |
| | 10 VA | 5 | 5 | | |
| | 15 VA | 5 | 5 | | |
| | 20 VA | | 5 | | |
| | 25 VA | | 5 | | |
| 3 x 5A | 5 VA | 5 | 5 | | |
| | 10 VA | 5 | 5 | | |
| | 15 VA | 5 | 5 | | |
| | 20 VA | | 5 | | |
| | 25 VA | | 5 | | |
| 4 x 5A | 5 VA | 5 | 5 | | |
| | 10 VA | 5 | 5 | | |
| | 15 VA | 5 | 5 | | |
| | 20 VA | | 5 | | |
| | 25 VA | | 5 | | |
| 5 x 5A | 5 VA | | | 10 | 10 |
| | 10 VA | | | 5 | 5 |
| | 15 VA | | | 5 | 5 |
| | 20 VA | | | | 5 |
| | 25 VA | | | | 5 |
| 6 x 5A | 5 VA | | | 10 | 10 |
| | 10 VA | | | 5 | 5 |
| | 15 VA | | | 5 | 5 |
| | 20 VA | | | | 5 |
| | 25 VA | | | | 5 |
| 7 x 5A | 5 VA | | | 10 | 10 |
| | 10 VA | | | 10 | 10 |
| | 15 VA | | | 5 | 5 |
| | 20 VA | | | | 5 |
| | 25 VA | | | | 5 |
| 8 x 5A | 5 VA | | | 10 | 10 |
| | 10 VA | | | 10 | 10 |
| | 15 VA | | | 5 | 5 |
| | 20 VA | | | | 5 |
| | 25 VA | | | | 5 |

LCTM - WOUND PRIMARY SERIES

| | LCTM 62/W (40) | LCTM 74/W (45) |
|-------------------|----------------|----------------|
| Depth | 40 mm | 45 mm |
| Width | 62 mm | 74 mm |
| Primary current | 1 A...30 A | 1 A...60 A |
| Secondary current | 1 A, 5 A | |
| Accuracy class | 0.2; 0.5; 1 | |

INPUT:

1 A
...
60 A

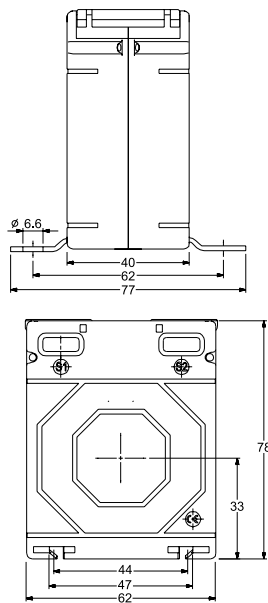
OUTPUTS:

5 A 1 A

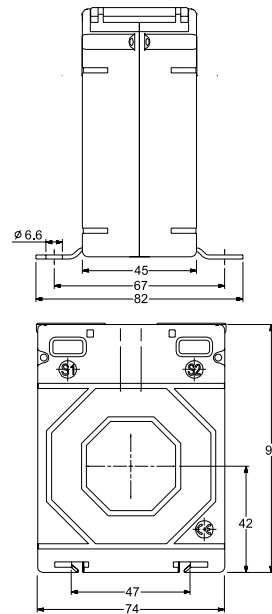


DIMENSIONS

LCTM 62/W (40)



LCTM 74/W (45)



| Transformer type | LCTM 62/W (40) | | | LCTM 74/W (45) | | |
|-----------------------|--------------------|--------|------|----------------|------|-------|
| | Accuracy class | 0.2 | 0.5 | 1 | 0.2 | 0.5 |
| Rated primary current | Transformer burden | | | | | |
| 1 A | 1 VA | 2.5 VA | 5 VA | 1.5 VA | 5 VA | 10 VA |
| 2.5 A | 1 VA | 2.5 VA | 5 VA | 1.5 VA | 5 VA | 10 VA |
| 5 A | 1 VA | 2.5 VA | 5 VA | 1.5 VA | 5 VA | 10 VA |
| 7.5 A | 1 VA | 2.5 VA | 5 VA | 1.5 VA | 5 VA | 10 VA |
| 10 A | 1 VA | 2.5 VA | 5 VA | 1.5 VA | 5 VA | 10 VA |
| 15 A | 1 VA | 2.5 VA | 5 VA | 1.5 VA | 5 VA | 10 VA |
| 20 A | 1 VA | 2.5 VA | 5 VA | 1.5 VA | 5 VA | 10 VA |
| 25 A | 1 VA | 2.5 VA | 5 VA | 1.5 VA | 5 VA | 10 VA |
| 30 A | 1 VA | 2.5 VA | 5 VA | 1.5 VA | 5 VA | 10 VA |
| 40 A | - | - | - | 1.5 VA | 5 VA | 10 VA |
| 50 A | - | - | - | 1.5 VA | 5 VA | 10 VA |
| 60 A | - | - | - | 1.5 VA | 5 VA | 10 VA |

ORDER

Required data: transformer type/primary current/secondary current/power/accuracy class
Order example: LCTM 62/W (40) 25/5A, 5VA, cl. 1

ACCESSORIES:

DIN rail mounting base

order code: LH000-0904-130-124

LCTR - ROUND CONDUCTOR SERIES



INPUT:

30 A
...
600 A

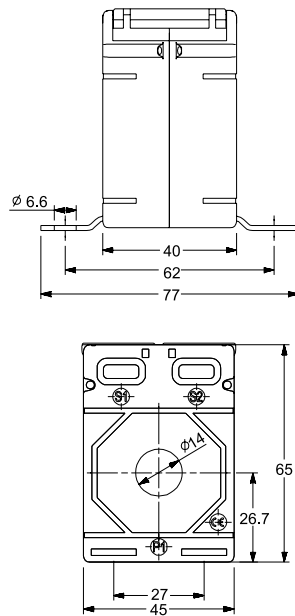
OUTPUTS:

5 A 1 A

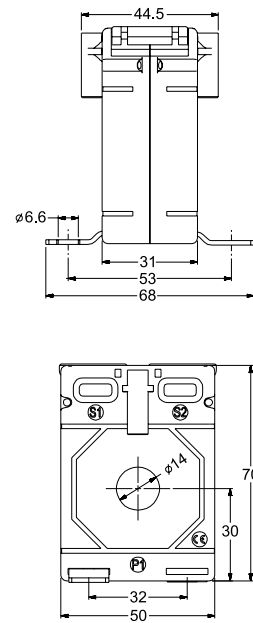
| | LCTR 45/14 (40) | LCTR 50/14 (30) | LCTR 50/14 (50) | LCTR 62/R (40) |
|-------------------|-----------------|-----------------|-----------------|-------------------|
| Hole diameter | Ø 14 mm | Ø 14 mm | Ø 14 mm | Ø 22 mm |
| Depth | 40 mm | 31 mm | 51 mm | 40 mm |
| Width | 45 mm | 50 mm | 50 mm | 62 mm |
| Primary current | 30 A...300 A | 40 A...300 A | 30 A...300 A | 50 A...600 A |
| Secondary current | 1 A, 5 A | | | |
| Accuracy class | 0.5; 1 | | | 0.2; 0.5S; 0.5; 1 |

DIMENSIONS

LCTR 45/14 (40)



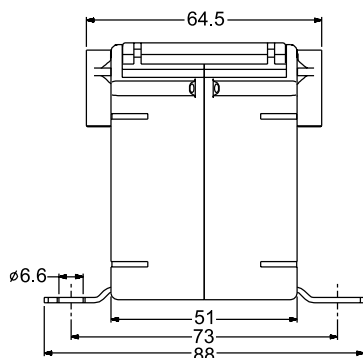
LCTR 50/14 (30)



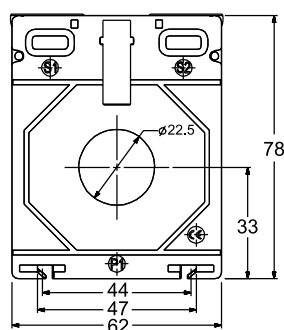
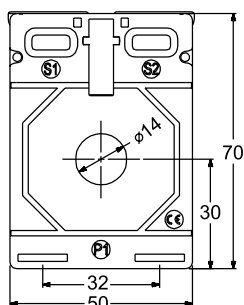
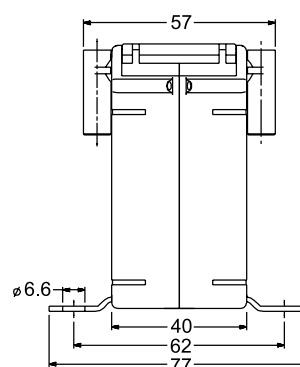
| Transformer type | LCTR 45/14 (40) | | LCTR 50/14 (30) | |
|------------------------------|---------------------------|---------|-----------------|---------|
| Accuracy class | 0.5 | 1 | 0.5 | 1 |
| Rated primary current | Transformer burden | | | |
| 30 A | - | 1 VA | - | - |
| 40 A | - | 1 VA | - | 1 VA |
| 50 A | - | 1.5 VA | - | 1.5 VA |
| 60 A | - | 1.5 VA | - | 1.5 VA |
| 75 A | - | 2.5 VA | - | 1.5 VA |
| 80 A | 1 VA | 2.5 VA | - | 1.5 VA |
| 100 A | 1.5 VA | 3.75 VA | 2.5 VA | 3.75 VA |
| 120 A | 1.5 VA | 3.75 VA | 2.5 VA | 3.75 VA |
| 125 A | 2.5 VA | 3.75 VA | 2.5 VA | 3.75 VA |
| 150 A | 2.5 VA | 5 VA | 3.75 VA | 5 VA |
| 200 A | 3.75 VA | 7.5 VA | 3.75 VA | 5 VA |
| 250 A | 5 VA | 7.5 VA | 5 VA | 7.5 VA |
| 300 A | 5 VA | 10 VA | 7.5 VA | 7.5 VA |

DIMENSIONS

LCTR 50/14 (50)



LCTR 62/R (40)



| Transformer type | LCTR 50/14 (50) | | LCTR 62/R (40) | | | |
|------------------------------|---------------------------|---------|----------------|--------|---------------|---------------|
| | 0.5 | 1 | 0.2 | 0.55 | 0.5 | 1 |
| Accuracy class | | | | | | |
| Rated primary current | Transformer burden | | | | | |
| 30 A | - | 1 VA | - | - | - | - |
| 40 A | - | 1 VA | - | - | - | - |
| 50 A | 1.5 VA | 1.5 VA | - | - | - | 1.5 VA |
| 60 A | 1.5 VA | 1.5 VA | - | - | - | 2.5 VA |
| 75 A | 2.5 VA | 5 VA | - | - | 1.5 VA | 2.5 VA |
| 80 A | 2.5 VA | 5 VA | - | - | 2.5 VA | 2.5 VA |
| 100 A | 3.75 VA | 5 VA | 1.5 VA | - | 2.5 VA | 5 VA |
| 120 A | 3.75 VA | 5 VA | 1.5 VA | - | 3.75 VA | 5 VA |
| 125 A | 3.75 VA | 5 VA | 1.5 VA | - | 3.75 VA | 5 VA |
| 150 A | 5 VA | 7.5 VA | 2.5 VA | 2.5 VA | 5 VA | 5 VA 7.5 VA |
| 200 A | 7.5 VA | 10 VA | 5 VA | 5 VA | 5 VA 7.5 VA | 5 VA 10 VA |
| 250 A | 10 VA | 12.5 VA | 5 VA | 5 VA | 10 VA | 15 VA |
| 300 A | 10 VA | 12.5 VA | 5 VA | 5 VA | 10 VA | 15 VA |
| 400 A | - | - | 7.5 VA | 7.5 VA | 15 VA | 15 VA |
| 500 A | - | - | 10 VA | - | 15 VA | 15 VA |
| 600 A | - | - | 10 VA | - | 15 VA | 15 VA |

ORDER

Required data: transformer type/ primary current/ secondary current/ power/ accuracy class

Order example: LCTR 50/14 (50) 100/5A, 5VA, cl. 1

ACCESSORIES:

DIN rail mounting base

- for details see page 25

LCTB 45 - BUSBAR SERIES



INPUT:

50 A
...
400 A

OUTPUTS:

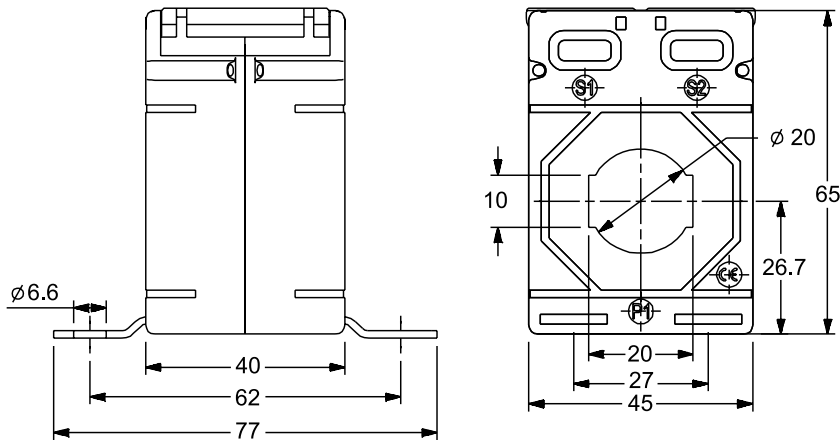
5 A 1 A

LCTB 45/21 (40)

| | |
|-------------------|--------------|
| Hole diameter | ∅ 20 mm |
| Busbar | 20 x 10 mm |
| Depth | 40 mm |
| Width | 45 mm |
| Primary current | 50 A...400 A |
| Secondary current | 1 A, 5 A |
| Accuracy class | 0,5; 1 |

DIMENSIONS

LCTB 45/21 (40)



| Transformer type | LCTB 45/21 (40) | |
|-----------------------|--------------------|---------|
| Accuracy class | 0.5 | 1 |
| Rated primary current | Transformer burden | |
| 50 A | - | 1.5 VA |
| 60 A | - | 1.5 VA |
| 75 A | - | 2.5 VA |
| 80 A | 1 VA | 2.5 VA |
| 100 A | 1.5 VA | 3.75 VA |
| 120 A | 1.5 VA | 3.75 VA |
| 125 A | 2.5 VA | 3.75 VA |
| 150 A | 2.5 VA | 5 VA |
| 200 A | 3.75 VA | 5 VA |
| 250 A | 3.75 VA | 5 VA |
| 300 A | 5 VA | 5 VA |
| 400 A | 5 VA | 5 VA |

ORDER

Required data: transformer type/ primary current/ secondary current/ power/ accuracy class
Order example: LCTB 45/21 (40) 100/5A, 3.75VA, cl. 1

ACCESSORIES:

DIN rail mounting base

order code: LH000-0904-130-002

LCTB 45 - BUSBAR SERIES

| | LCTB 50/21 (30) | LCTB 50/30 (30) | LCTB 50/21 (50) | LCTB 50/30 (50) |
|-------------------|-----------------|-----------------|-----------------|-----------------|
| Hole diameter | ∅ 21 mm | ∅ 26 mm | ∅ 21 mm | ∅ 26 mm |
| Busbar | 20 x 10 mm | 30 x 10 mm | 20 x 10 mm | 30 x 10 mm |
| Depth | 31 mm | 31 mm | 51 mm | 51 mm |
| Width | 50 mm | 50 mm | 50 mm | 50 mm |
| Primary current | 40 A...400 A | 75 A...600 A | 50 A...400 A | 50 A... 600 A |
| Secondary current | 1 A, 5 A | | | |
| Accuracy class | 0.5; 1; 3 | | | 0.5; 1 |

INPUT:

40 A
...
600 A

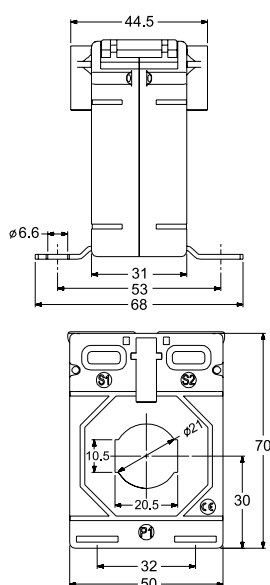
OUTPUTS:

5 A 1 A

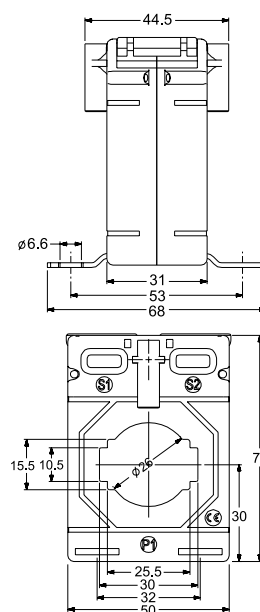


DIMENSIONS

LCTB 50/21 (30)



LCTB 50/30 (30)

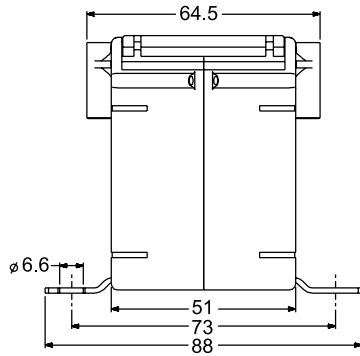


| Transformer type | LCTB 50/21 (30) | | | LCTB 50/30 (30) | |
|-----------------------|--------------------|---------|------|-----------------|----------------|
| | 0.5 | 1 | 3 | 0.5 | 1 |
| Accuracy class | 0.5 | 1 | 3 | 0.5 | 1 |
| Rated primary current | Transformer burden | | | | |
| 40 A | - | - | 1 VA | - | - |
| 50 A | - | 1 VA | - | - | - |
| 60 A | - | 1 VA | - | - | - |
| 75 A | - | 1.5 VA | - | - | 1 VA |
| 80 A | 1 VA | 2.5 VA | - | - | 1.5 VA |
| 100 A | 1.5 VA | 2.5 VA | - | 1 VA | 2.5 VA |
| 120 A | 2.5 VA | 2.5 VA | - | 1 VA | 2.5 VA |
| 125 A | 2.5 VA | 3.75 VA | - | 1 VA | 2.5 VA |
| 150 A | 2.5 VA | 5 VA | - | 2.5 VA | 3.75 VA |
| 200 A | 3.75 VA | 5 VA | - | 2.5 VA | 5 VA |
| 250 A | 5 VA | 5 VA | - | 5 VA | 5 VA |
| 300 A | 5 VA | 7.5 VA | - | 5 VA | 5 VA |
| 400 A | 5 VA | 7.5 VA | - | 5 VA | 5 VA 6.25 VA |
| 500 A | - | - | - | 5 VA | 6.25 VA |
| 600 A | - | - | - | 5 VA | 7.5 VA |

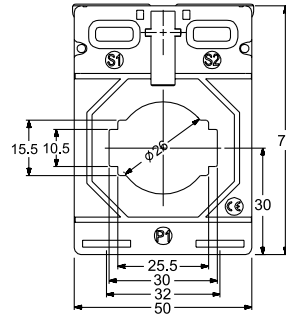
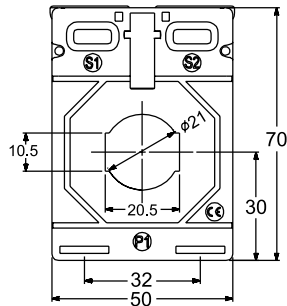
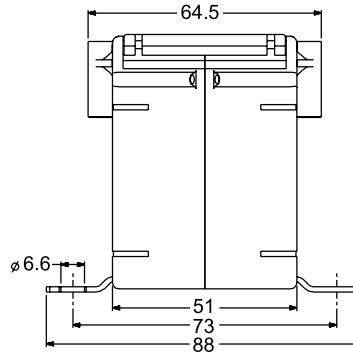
LCTB 50 - BUSBAR SERIES

DIMENSIONS

LCTB50/21 (50)



LCTB 50/30 (50)



| Transformer type | LCTB 50/21 (50) | | LCTB 50/30 (50) | |
|-----------------------|--------------------|---------|-----------------|---------|
| | 0.5 | 1 | 0.5 | 1 |
| Accuracy class | 0.5 | 1 | 0.5 | 1 |
| Rated primary current | Transformer burden | | | |
| 50 A | 1 VA | 2.5 VA | - | 1.5 VA |
| 60 A | 1 VA | 2.5 VA | - | 1.5 VA |
| 75 A | 1.5 VA | 2.5 VA | - | 2.5 VA |
| 80 A | 2.5 VA | 5 VA | - | 2.5 VA |
| 100 A | 2.5 VA | 5 VA | 1 VA | 3.75 VA |
| 120 A | 3.75 VA | 5 VA | 2.5 VA | 5 VA |
| 125 A | 5 VA | 5 VA | 2.5 VA | 5 VA |
| 150 A | 5 VA | 10 VA | 5 VA | 5 VA |
| 200 A | 7.5 VA | 10 VA | 5 VA | 7.5 VA |
| 250 A | 7.5 VA | 10 VA | 5 VA | 10 VA |
| 300 A | 7.5 VA | 12.5 VA | 5 VA | 10 VA |
| 400 A | 10 VA | 15 VA | 10 VA | 12.5 VA |
| 500 A | - | - | 10 VA | 12.5 VA |
| 600 A | - | - | 10 VA | 15 VA |

ORDER

Required data: transformer type/ primary current/ secondary current/ power/ accuracy class

Order example: LCTB 50/21 (50) 100/5A, 5VA, cl. 1

ACCESSORIES:

DIN rail mounting base

- for details see page 25

LCTB 62 - BUSBAR SERIES

| | LCTB 62/20 (40) | LCTB 62/30 (40) | LCTB 62/30 (50) | LCTB 62/40 (40) |
|-------------------|-------------------------|--------------------------|----------------------------|-----------------------------|
| Hole diameter | - | Ø 30 mm | Ø 28 mm | Ø 31 mm |
| Busbar | 20x12 mm | 30x10 mm, 2x25 x10 mm | 30x10 mm | 40x10 mm, 2 x 30 x 10 mm |
| Depth | 40 mm | 40 mm | 50 mm | 40 mm |
| Width | 62 mm | 62 mm | 62 mm | 62 mm |
| Primary current | 50A...400A | 50 A...800 A | 40 A...800 A | 100 A...800 A |
| Secondary current | 1 A, 5 A | | | |
| Accuracy class | 0,2S; 0,2; 0,5S; 0,5; 1 | | 0,2S; 0,2; 0,5S; 0,5; 1; 3 | 0,2S; 0,2; 0,5S; 0,5; 1 |

INPUT:

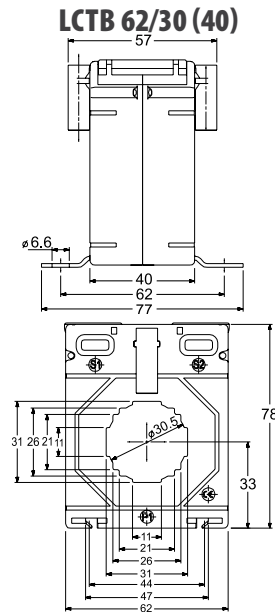
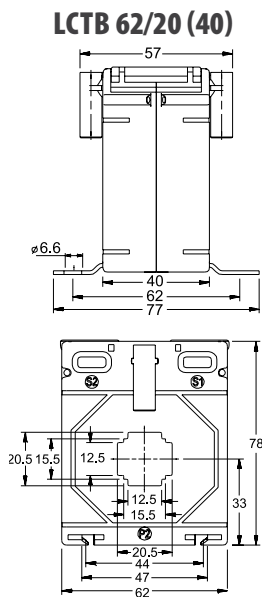
40 A
...
800 A

OUTPUTS:

5 A 1 A



DIMENSIONS

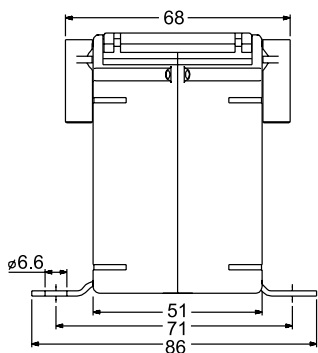


| Transformer type | LCTB 62/20 (40) | | | | | LCTB 62/30 (40) | | | | | |
|------------------------------|---------------------------|--------|---------|---------|---------|-----------------|---------|--------|---------|---------|---------|
| | Accuracy class | 0.2S | 0.2 | 0.5S | 0.5 | 1 | 0.2S | 0.2 | 0.5S | 0.5 | 1 |
| Rated primary current | Transformer burden | | | | | | | | | | |
| 50 A | - | - | - | - | 1.5 VA | - | - | - | - | - | 1.25 VA |
| 60 A | - | - | - | - | 2.5 VA | - | - | - | - | - | 1.5 VA |
| 75 A | - | - | - | 1.5 VA | 3.75 VA | - | - | - | - | - | 1.5 VA |
| 80 A | - | - | - | 2.5 VA | 3.75 VA | - | - | - | - | - | 2 VA |
| 100 A | 1.5 VA | 1.5 VA | 1.5 VA | 2.5 VA | 5 VA | 1 VA | 1 VA | 1 VA | 1.5 VA | 2.5 VA | 2.5 VA |
| 120 A | 1.5 VA | 1.5 VA | 1.5 VA | 3.75 VA | 5 VA | 1 VA | 1 VA | 1 VA | 2.5 VA | 3.75 VA | 3.75 VA |
| 125 A | 1.5 VA | 1.5 VA | 1.5 VA | 3.75 VA | 5 VA | 1 VA | 1 VA | 1 VA | 2.5 VA | 3.75 VA | 3.75 VA |
| 150 A | 2 VA | 2.5 VA | 2.0 VA | 5 VA | 7.5 VA | 2.5 VA | 1.5 VA | 2.5 VA | 3.75 VA | 5 VA | 5 VA |
| 200 A | 3.75 VA | 5 VA | 3.75 VA | 7.5 VA | 10 VA | 5 VA | 2.5 VA | 5 VA | 5 VA | 7.5 VA | 7.5 VA |
| 250 A | 3.75 VA | 5 VA | 3.75 VA | 10 VA | 15 VA | 5 VA | 3.75 VA | 5 VA | 5 VA | 10 VA | 10 VA |
| 300 A | 3.75 VA | 5 VA | 3.75 VA | 10 VA | 15 VA | 5 VA | 3.75 VA | 5 VA | 5 VA | 10 VA | 10 VA |
| 400 A | 5 VA | 7.5 VA | 5 VA | 15 VA | 15 VA | 5 VA | 5 VA | 5 VA | 7.5 VA | 12.5 VA | 12.5 VA |
| 500 A | - | - | - | - | - | 5 VA | 7.5 VA | 5 VA | 10 VA | 12.5 VA | 12.5 VA |
| 600 A | - | - | - | - | - | 7.5 VA | 7.5 VA | 10 VA | 15 VA | 15 VA | 15 VA |
| 750 A | - | - | - | - | - | 10 VA | 10 VA | 10 VA | 15 VA | 15 VA | 15 VA |
| 800 A | - | - | - | - | - | 10 VA | 10 VA | 10 VA | 15 VA | 15 VA | 15 VA |

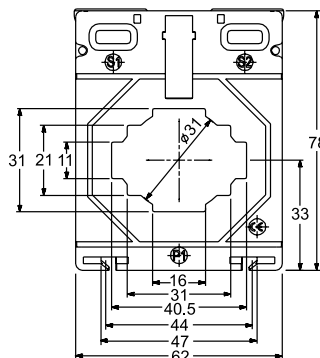
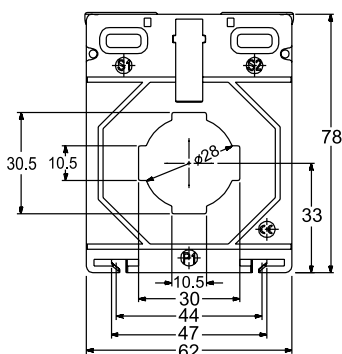
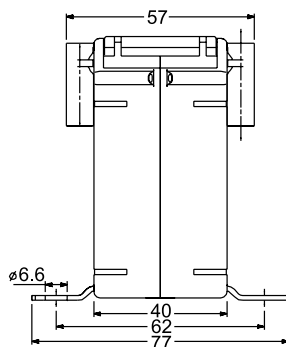
LCTB 62 - BUSBAR SERIES

DIMENSIONS

LCTB 62/30 (50)



LCTB 62/40 (40)



| Transformer type | LCTB 62/30 (50) | | | | | | LCTB 62/40 (40) | | | | | |
|-----------------------|--------------------|---------|---------|-------|--------|---------|-----------------|--------|---------|--------|--------|---------------|
| | Accuracy class | 0.2S | 0.2 | 0.5S | 0.5 | 1 | 3 | 0.2S | 0.2 | 0.5S | 0.5 | 1 |
| Rated primary current | Transformer burden | | | | | | | | | | | |
| 40 A | - | - | - | - | - | - | 1 VA | - | - | - | - | - |
| 50 A | - | - | - | - | - | 1.5 VA | - | - | - | - | - | - |
| 60 A | - | - | - | - | - | 2.5 VA | - | - | - | - | - | - |
| 75 A | - | - | - | - | 2.5 VA | 2.5 VA | - | - | - | - | - | - |
| 80 A | - | - | - | - | 2.5 VA | 3.75 VA | - | - | - | - | - | - |
| 100 A | 1.25 VA | 1.25 VA | 1.25 VA | 5 VA | 5 VA | - | - | - | - | - | - | 1 VA |
| 120 A | 1.25 VA | 1.25 VA | 1.25 VA | 5 VA | 5 VA | - | - | - | - | - | - | 1.5 VA |
| 125 A | 1.25 VA | 1.25 VA | 1.25 VA | 5 VA | 5 VA | - | - | - | - | - | - | 1.5 VA |
| 150 A | 2 VA | 2 VA | 2 VA | 5 VA | 7.5 VA | - | - | - | - | - | - | 2.5 VA |
| 200 A | 5 VA | 3.75 VA | 5 VA | 10 VA | 15 VA | - | 1 VA | 1 VA | 1 VA | 1.5 VA | 1.5 VA | 3.75 VA |
| 250 A | 5 VA | 5 VA | 5 VA | 15 VA | 15 VA | - | 1.5 VA | 1.5 VA | 1.5 VA | 2.5 VA | 2.5 VA | 5 VA |
| 300 A | 5 VA | 5 VA | 5 VA | 15 VA | 15 VA | - | 1.5 VA | 1.5 VA | 1.5 VA | 5 VA | 5 VA | 5 VA |
| 400 A | 10 VA | 6.25 VA | 10 VA | 15 VA | 30 VA | - | 2.5 VA | 2.5 VA | 2.5 VA | 5 VA | 5 VA | 5 VA |
| 500 A | 5 VA | 7.5 VA | 5 VA | 15 VA | 30 VA | - | 2.5 VA | 5 VA | 3.75 VA | 5 VA | 5 VA | 5 VA 7.5 VA |
| 600 A | 6.25 VA | 10 VA | 6.25 VA | 20 VA | 30 VA | - | 2.5 VA | 7.5 VA | 5 VA | 7.5 VA | 7.5 VA | 10 VA |
| 750 A | 6.25 VA | 10 VA | 6.25 VA | 20 VA | 30 VA | - | 5 VA | 10 VA | 5 VA | 10 VA | 10 VA | 10 VA |
| 800 A | 6.25 VA | 10 VA | 6.25 VA | 20 VA | 30 VA | - | 5 VA | 10 VA | 5 VA | 10 VA | 10 VA | 10 VA |

ORDER

Required data: transformer type/ primary current/ secondary current/ power/ accuracy class

Order example: LCTB 62/40 (40) 100/5A, 1VA, cl. 1

ACCESSORIES:

DIN rail mounting base

- for details see page 30

LCTB 74 - BUSBAR SERIES

| | LCTB 74/20 (45) | LCTB 74/30 (45) | LCTB 74/40 (45) | LCTB 74/50 (45) |
|-------------------|----------------------------|-------------------------|--------------------------|--------------------------|
| Hole diameter | ∅ 20 mm | ∅26 mm | ∅35 mm | ∅ 41 mm |
| Busbar | 20x10 mm | 30x15 mm, 2x20x10 mm | 40x12 mm, 2x30 x15 mm | 50x12 mm, 2 x40x10 mm |
| Depth | 45 mm | 45 mm | 45 mm | 45 mm |
| Width | 74 mm | 74 mm | 74 mm | 74 mm |
| Prąd pierwotny | 30 A...400 A | 30 A...800 A | 40 A...1000 A | 100 A...1000 A |
| Secondary current | 1 A, 5 A | | | |
| Accuracy class | 0,2S; 0,2; 0,5S; 0,5; 1; 3 | | 0,2S; 0,2; 0,5S; 0,5; 1 | |

INPUT:

30 A
...
1000 A

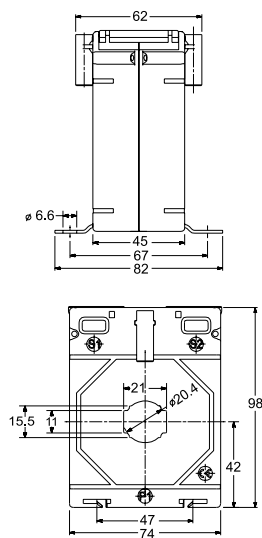
OUTPUTS:

5 A **1 A**

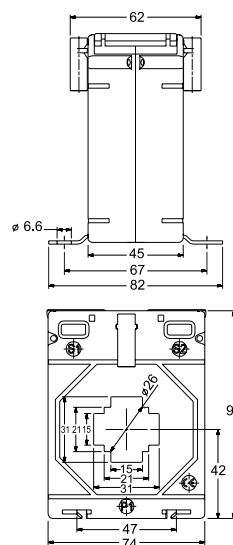


DIMENSIONS

LCTB 74/20 (45)



LCTB 74/30 (45)

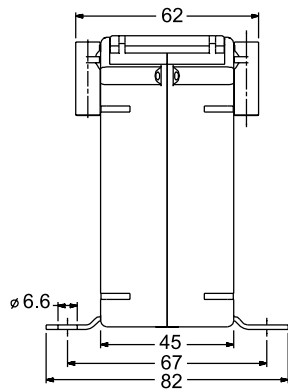


| Transformer type | LCTB 74/20 (45) | | | | | | LCTB 74/30 (45) | | | | | |
|-----------------------|--------------------|--------|--------|--------|---------|--------|-----------------|--------|--------|--------|---------|------|
| | 0.2S | 0.2 | 0.5S | 0.5 | 1 | 3 | 0.2S | 0.2 | 0.5S | 0.5 | 1 | 3 |
| Rated primary current | Transformer burden | | | | | | | | | | | |
| 30 A | - | - | - | - | - | 1.5 VA | - | - | - | - | - | 1 VA |
| 40 A | - | - | - | - | 1.5 VA | - | - | - | - | - | 1.5 VA | - |
| 50 A | - | - | - | - | 2.5 VA | - | - | - | - | - | 1.5 VA | - |
| 60 A | - | - | - | - | 3.75 VA | - | - | - | - | - | 2.5 VA | - |
| 75 A | - | - | - | 1.5 VA | 5 VA | - | - | - | - | 1.5 VA | 2.5 VA | - |
| 80 A | - | - | - | 1.5 VA | 5 VA | - | - | - | - | 1.5 VA | 3.75 VA | - |
| 100 A | 1.5 VA | 1.5 VA | 1.5 VA | 5 VA | 7.5 VA | - | 1.5 VA | 1.5 VA | 1.5 VA | 2.5 VA | 5 VA | - |
| 120 A | 1.5 VA | 1.5 VA | 1.5 VA | 5 VA | 10 VA | - | 1.5 VA | 1.5 VA | 1.5 VA | 2.5 VA | 5 VA | - |
| 125 A | 1.5 VA | 1.5 VA | 1.5 VA | 5 VA | 10 VA | - | 1.5 VA | 1.5 VA | 1.5 VA | 2.5 VA | 5 VA | - |
| 150 A | 2.5 VA | 2.5 VA | 2.5 VA | 7.5 VA | 12.5 VA | - | 1.5 VA | 1.5 VA | 1.5 VA | 5 VA | 7.5 VA | - |
| 200 A | 5 VA | 5 VA | 5 VA | 10 VA | 15 VA | - | 2.5 VA | 2.5 VA | 2.5 VA | 10 VA | 15 VA | - |
| 250 A | 5 VA | 5 VA | 5 VA | 10 VA | 15 VA | - | 2.5 VA | 2.5 VA | 2.5 VA | 10 VA | 15 VA | - |
| 300 A | 5 VA | 7.5 VA | 5 VA | 15 VA | 15 VA | - | 2.5 VA | 5 VA | 2.5 VA | 10 VA | 15 VA | - |
| 400 A | 5 VA | 10 VA | 5 VA | 15 VA | 20 VA | - | 5 VA | 7.5 VA | 5 VA | 15 VA | 20 VA | - |
| 500 A | - | - | - | - | - | - | 5 VA | 10 VA | 5 VA | 15 VA | 20 VA | - |
| 600 A | - | - | - | - | - | - | 5 VA | 15 VA | 5 VA | 15 VA | 20 VA | - |
| 750 A | - | - | - | - | - | - | 7.5 VA | 20 VA | 7.5 VA | 20 VA | 30 VA | - |
| 800 A | - | - | - | - | - | - | 10 VA | 30 VA | 10 VA | 30 VA | 30 VA | - |

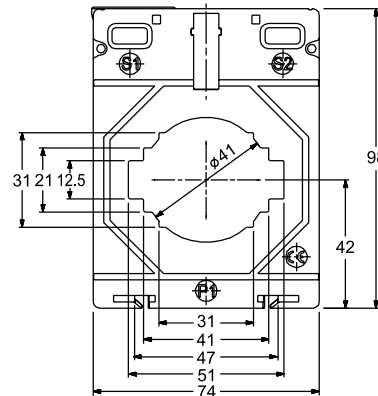
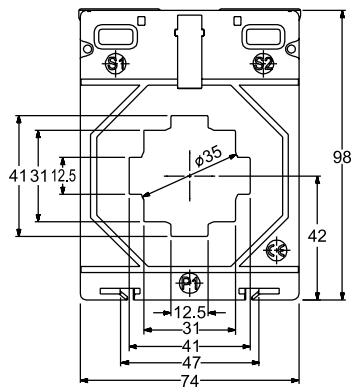
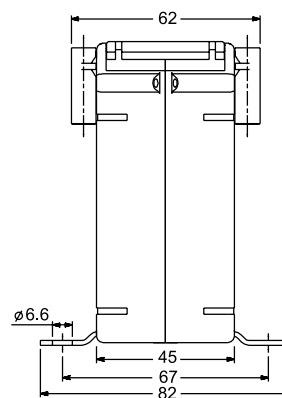
LCTB 74 - BUSBAR SERIES

DIMENSIONS

LCTB 74/40 (45)



LCTB 74/50 (45)



| Transformer type | LCTB 74/40 (45) | | | | | LCTB 74/50 (45) | | | | |
|------------------------------|---------------------------|--------|--------|---------------|---------|-----------------|---------------|--------|---------|---------|
| | Accuracy class | 0.2S | 0.2 | 0.5S | 0.5 | 1 | 0.2S | 0.2 | 0.5S | 0.5 |
| Rated primary current | Transformer burden | | | | | | | | | |
| 40 A | - | - | - | - | 1 VA | - | - | - | - | - |
| 50 A | - | - | - | - | 1 VA | - | - | - | - | - |
| 60 A | - | - | - | - | 1 VA | - | - | - | - | - |
| 75 A | - | - | - | - | 1.5 VA | - | - | - | - | - |
| 80 A | - | - | - | - | 1.5 VA | - | - | - | - | - |
| 100 A | - | - | - | 1.5 VA | 2.5 VA | - | - | - | - | 1.5 VA |
| 120 A | - | - | - | 1.5 VA | 2.5 VA | - | - | - | - | 1.5 VA |
| 125 A | - | - | - | 1.5 VA | 2.5 VA | - | - | - | - | 1.5 VA |
| 150 A | - | - | - | 2.5 VA | 3.75 VA | - | - | - | - | 2.5 VA |
| 200 A | 2.5 VA | 2.5 VA | 2.5 VA | 3.75 VA | 5 VA | - | - | - | 1.5 VA | 3.75 VA |
| 250 A | 5 VA | 2.5 VA | 5 VA | 5 VA | 7.5 VA | 1.5 VA | 1.5 VA | 1.5 VA | 2.5 VA | 5 VA |
| 300 A | 5 VA | 2.5 VA | 5 VA | 5 VA | 7.5 VA | 1.5 VA | 1.5 VA | 1.5 VA | 5 VA | 7.5 VA |
| 400 A | 5 VA | 5 VA | 5 VA | 5 VA 7.5 VA | 12.5 VA | 2.5 VA | 2.5 VA | 2.5 VA | 5 VA | 7.5 VA |
| 500 A | 5 VA | 7.5 VA | 5 VA | 10 VA | 15 VA | 5 VA | 5 VA | 5 VA | 7.5 VA | 10 VA |
| 600 A | 5 VA | 10 VA | 5 VA | 15 VA | 20 VA | 5 VA | 5 VA 7.5 VA | 5 VA | 10 VA | 12.5 VA |
| 750 A | 5 VA | 10 VA | 5 VA | 15 VA | 20 VA | 5 VA | 10 VA | 5 VA | 12.5 VA | 15 VA |
| 800 A | 7.5 VA | 15 VA | 7.5 VA | 15 VA | 20 VA | 5 VA | 10 VA | 5 VA | 12.5 VA | 15 VA |
| 1000 A | 10 VA | 15 VA | 10 VA | 15 VA | 20 VA | 5 VA | 10 VA | 5 VA | 12.5 VA | 15 VA |

ORDER

Required data: transformer type/ primary current/ secondary current/ power/ accuracy class

Order example: LCTB 74/50 (45) 100/5A, 1.5VA, cl. 1

ACCESSORIES:

DIN rail mounting base

order code: LH000-0904-130-124

LCTB 86 - BUSBAR SERIES

| | LCTB 86/40 (45) | LCTB 86/50 (45) | LCTB 86/60 (45) |
|-------------------|--------------------------|-------------------------------|-------------------------------|
| Hole diameter | ∅ 36 mm | ∅ 46 mm | ∅ 51 mm |
| Busbar | 40 x 10 mm, 2x30x15mm | 50 x 12 mm, 2 x 40 x 15 mm | 60 x 12 mm, 2 x 50 x 15 mm |
| Depth | 45 mm | 45 mm | 45 mm |
| Width | 86 mm | 86 mm | 86 mm |
| Primary current | 50 A...1000 A | 100 A...1250 A | 100 A...1600 A |
| Secondary current | 1 A, 5 A | | |
| Accuracy class | 0.2S; 0.2; 0.5S; 0.5; 1 | | |

INPUT:

50 A
...
1600 A

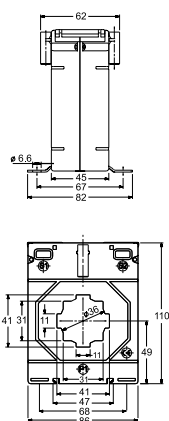
OUTPUTS:

5 A 1 A

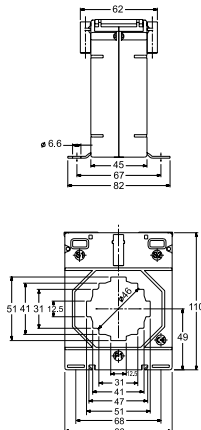


DIMENSIONS

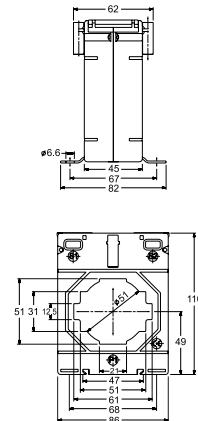
LCTB 86/40 (45)



LCTB 86/50 (45)



LCTB 86/60 (45)



| Transformer type | LCTB 86/40 (45) | | | | | LCTB 86/50 (45) | | | | | LCTB 86/60 (45) | | | | |
|---------------------|--------------------|---------|---------|---------|---------|-----------------|---------|---------|--------|--------|-----------------|---------|--------|--------|----------|
| | 0.2S | 0.2 | 0.5S | 0.5 | 1 | 0.2S | 0.2 | 0.5S | 0.5 | 1 | 0.2S | 0.2 | 0.5S | 0.5 | 1 |
| Accuracy class | 0.2S | 0.2 | 0.5S | 0.5 | 1 | 0.2S | 0.2 | 0.5S | 0.5 | 1 | 0.2S | 0.2 | 0.5S | 0.5 | 1 |
| Rated primary class | Transformer burden | | | | | | | | | | | | | | |
| 50 A | - | - | - | - | 1.5 VA | - | - | - | - | - | - | - | - | - | - |
| 60 A | - | - | - | - | 1.5 VA | - | - | - | - | - | - | - | - | - | - |
| 75 A | - | - | - | - | 2.5 VA | - | - | - | - | - | - | - | - | - | - |
| 80 A | - | - | - | - | 2.5 VA | - | - | - | - | - | - | - | - | - | - |
| 100 A | 1.5 VA | 1.5 VA | 1.5 VA | 1.5 VA | 3.75 VA | - | - | - | - | 1.5 VA | - | - | - | - | 1 VA |
| 120 A | 1.5 VA | 1.5 VA | 1.5 VA | 2.5 VA | 5 VA | - | - | - | 1.5 VA | 2.5 VA | - | - | - | - | 1.5 VA |
| 125 A | 1.5 VA | 1.5 VA | 1.5 VA | 2.5 VA | 5 VA | - | - | - | 1.5 VA | 2.5 VA | - | - | - | - | 2.5 VA |
| 150 A | 2.5 VA | 2.5 VA | 2.5 VA | 3.75 VA | 5 VA | - | - | - | 2.5 VA | 5 VA | - | - | - | - | 2.5 VA |
| 200 A | 5 VA | 2.5 VA | 2.5 VA | 5 VA | 7.5 VA | - | - | - | 5 VA | 7.5 VA | - | - | - | 1.5 VA | 3.75 VA |
| 250 A | 10 VA | 3.75 VA | 3.75 VA | 7.5 VA | 12.5 VA | - | - | - | 7.5 VA | 10 VA | - | - | - | 2.5 VA | 5 VA |
| 300 A | 10 VA | 5 VA | 10 VA | 10 VA | 15 VA | 5 VA | 1.5 VA | 5 VA | 7.5 VA | 10 VA | 1.5 VA | 1.5 VA | 1.5 VA | 5 VA | 7.5 VA |
| 400 A | 10 VA | 7.5 VA | 7.5 VA | 15 VA | 20 VA | 7.5 VA | 2.5 VA | 7.5 VA | 15 VA | 15 VA | 2.5 VA | 2.5 VA | 2.5 VA | 10 VA | 1 2.5 VA |
| 500 A | 5 VA | 10 VA | 10 VA | 20 VA | 30 VA | 7.5 VA | 5 VA | 7.5 VA | 15 VA | 20 VA | 2.5 VA | 3.75 VA | 2.5 VA | 10 VA | 12.5 VA |
| 600 A | 7.5 VA | 15 VA | 15 VA | 30 VA | 30 VA | 10 VA | 7.5 VA | 10 VA | 15 VA | 20 VA | 5 VA | 5 VA | 5 VA | 15 VA | 15 VA |
| 750 A | 7.5 VA | 15 VA | 15 VA | 30 VA | 30 VA | 7.5 VA | 10 VA | 7.5 VA | 15 VA | 20 VA | 5 VA | 10 VA | 5 VA | 15 VA | 20 VA |
| 800 A | 10 VA | 15 VA | 15 VA | 30 VA | 30 VA | 10 VA | 12.5 VA | 10 VA | 20 VA | 30 VA | 7.5 VA | 12.5 VA | 7.5 VA | 20 VA | 20 VA |
| 1000 A | 10 VA | 15 VA | 15 VA | 30 VA | 30 VA | 12.5 VA | 20 VA | 12.5 VA | 30 VA | 30 VA | 10 VA | 15 VA | 10 VA | 20 VA | 20 VA |
| 1200 A | - | - | - | - | - | 12.5 VA | 20 VA | 12.5 VA | 30 VA | 30 VA | 10 VA | 15 VA | 10 VA | 20 VA | 20 VA |
| 1250 A | - | - | - | - | - | 12.5 VA | 20 VA | 12.5 VA | 30 VA | 30 VA | 10 VA | 15 VA | 10 VA | 20 VA | 20 VA |
| 1500 A | - | - | - | - | - | - | - | - | - | - | 10 VA | 15 VA | 10 VA | 20 VA | 20 VA |
| 1600 A | - | - | - | - | - | - | - | - | - | - | 10 VA | 15 VA | 10 VA | 20 VA | 20 VA |

ORDER

Required data: transformer type/ primary current/ secondary current/ power/ accuracy class
Order example: LCTB 86/50 (45) 100/5A, 1.5VA, cl. 1

ACCESSORIES:

DIN rail mounting base
order code: LH000-0904-130-124

LCTB 100 - BUSBAR SERIES



INPUT:

400 A
...
3200 A

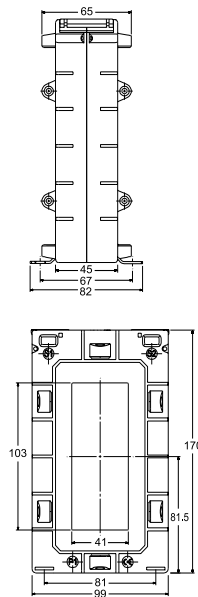
OUTPUTS:

5 A 1 A

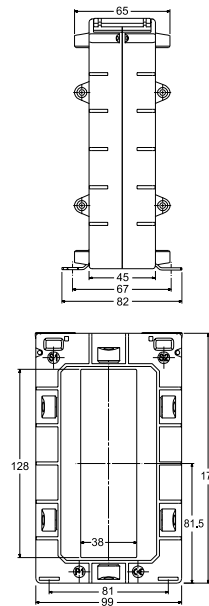
| | LCTB 100/100V (45) | LCTB 100/130V (45) |
|-------------------|-------------------------|--------------------|
| Busbar | 41 x 103 mm | 38 x 128 mm |
| Depth | 45 mm | 45 mm |
| Width | 100 mm | 100 mm |
| Primary current | 400 A...2500 A | 400 A...3000 A |
| Secondary current | 1 A, 5 A | |
| Accuracy class | 0.25; 0.2; 0.55; 0.5; 1 | 0.2; 0.5; 1 |

DIMENSIONS

LCTB 100/100V (45)



LCTB 100/130V (45)



| Transformer type | LCTB 100/100V (45) | | | | | LCTB 100/130V (45) | | |
|-----------------------|--------------------|-------|--------|--------|-------|--------------------|--------|---------|
| | 0.25 | 0.2 | 0.55 | 0.5 | 1 | 0.2 | 0.5 | 1 |
| Accuracy class | 0.25 | 0.2 | 0.55 | 0.5 | 1 | 0.2 | 0.5 | 1 |
| Rated primary current | Transformer burden | | | | | | | |
| 400 A | - | - | - | 2.5 VA | 5 VA | - | 2.5 VA | 5 VA |
| 500 A | - | - | - | 2.5 VA | 5 VA | - | 2.5 VA | 5 VA |
| 600 A | - | - | - | 2.5 VA | 5 VA | - | 2.5 VA | 5 VA |
| 750 A | - | - | - | 2.5 VA | 5 VA | - | 2.5 VA | 7.5 VA |
| 800 A | - | - | - | 5 VA | 10 VA | - | 5 VA | 7.5 VA |
| 1000 A | - | 5 VA | - | 10 VA | 15 VA | - | 10 VA | 10 VA |
| 1200 A | 5 VA | 5 VA | 5 VA | 10 VA | 15 VA | - | 10 VA | 15 VA |
| 1250 A | 5 VA | 5 VA | 5 VA | 10 VA | 15 VA | - | 10 VA | 15 VA |
| 1500 A | 5 VA | 5 VA | 5 VA | 15 VA | 30 VA | 5 VA | 15 VA | 30 VA |
| 1600 A | 7.5 VA | 10 VA | 7.5 VA | 15 VA | 30 VA | 5 VA | 15 VA | 30 VA |
| 2000 A | 7.5 VA | 10 VA | 7.5 VA | 15 VA | 30 VA | 5 VA | 15 VA | 30 VA |
| 2500 A | 10 VA | 10 VA | 10 VA | 15 VA | 20 VA | 5 VA | 15 VA | 30 VA |
| 3000 A | - | - | - | - | - | 5 VA | 10 VA | 12.5 VA |

ORDER

Required data: transformer type/ primary current/ secondary current/ power/ accuracy class

Order example: LCTB 100/130V (45) 400/5A, 2.5VA, cl. 1

LCTB 104 - BUSBAR SERIES

| | LCTB 104/60 (45) | LCTB 104/80 (45) |
|-------------------|-----------------------------------------------|-----------------------------------------------|
| Hole diameter | Ø 54 mm | Ø 65 mm |
| Busbar | 60 x 12 mm, 2 x 50 x 15 mm, 2 x 40 x 20 mm | 80 x 12 mm, 2 x 60 x 15 mm, 2 x 50 x 25 mm |
| Depth | 45 mm | 45 mm |
| Width | 104 mm | 104 mm |
| Primary current | 100 A...1600 A | 200 A...2000 A |
| Secondary current | 1 A, 5 A | |
| Accuracy class | 0.2S; 0.2; 0.5S; 0.5; 1 | |

INPUT:

40 A
...
800 A

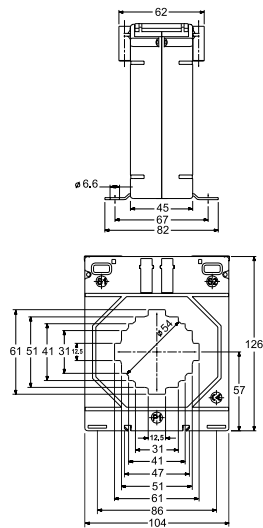
OUTPUTS:

5 A 1 A

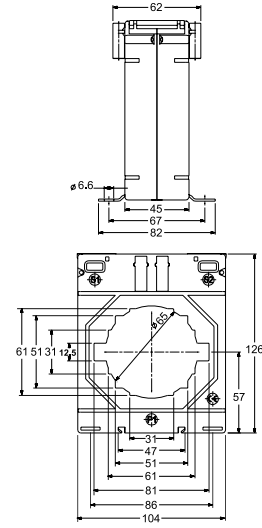


DIMENSIONS

LCTB 104/60 (45)



LCTB 104/80 (45)



| Transformer type | LCTB 104/60 (45) | | | | | LCTB 104/80 (45) | | | | |
|-----------------------|--------------------|---------|---------|--------------|---------|------------------|---------|--------|--------|---------|
| | Accuracy class | 0.2S | 0.2 | 0.5S | 0.5 | 1 | 0.2S | 0.2 | 0.5S | 0.5 |
| Rated primary current | Transformer burden | | | | | | | | | |
| 100 A | - | - | - | - | 1.5 VA | - | - | - | - | - |
| 120 A | - | - | - | - | 2.5 VA | - | - | - | - | - |
| 125 A | - | - | - | - | 2.5 VA | - | - | - | - | - |
| 150 A | - | - | - | 2.5 VA | 5 VA | - | - | - | - | - |
| 200 A | - | - | - | 5 VA | 10 VA | - | - | - | - | 1.5 VA |
| 250 A | - | 1.5 VA | - | 7.5 VA | 12.5 VA | - | - | - | 1.5 VA | 2.5 VA |
| 300 A | 1.5 VA | 2.5 VA | 1.5 VA | 10 VA | 15 VA | - | - | - | 2.5 VA | 7.5 VA |
| 400 A | 2.5 VA | 3.75 VA | 2.5 VA | 5 VA 10 VA | 15 VA | - | 1.5 VA | - | 5 VA | 10 VA |
| 500 A | 3.75 VA | 7.5 VA | 3.75 VA | 15 VA | 20 VA | - | 1.5 VA | - | 5 VA | 10 VA |
| 600 A | 5 VA | 10 VA | 5 VA | 15 VA | 30 VA | - | 2.5 VA | - | 7.5 VA | 12.5 VA |
| 750 A | 5 VA | 15 VA | 5 VA | 20 VA | 30 VA | 5 VA | 5 VA | 5 VA | 10 VA | 15 VA |
| 800 A | 7.5 VA | 15 VA | 7.5 VA | 30 VA | 30 VA | 5 VA | 7.5 VA | 5 VA | 10 VA | 15 VA |
| 1000 A | 10 VA | 20 VA | 10 VA | 30 VA | 45 VA | 7.5 VA | 12.5 VA | 7.5 VA | 20 VA | 20 VA |
| 1200 A | 10 VA | 30 VA | 10 VA | 30 VA | 45 VA | 10 VA | 15 VA | 10 VA | 20 VA | 30 VA |
| 1250 A | 10 VA | 30 VA | 10 VA | 30 VA | 45 VA | 10 VA | 15 VA | 10 VA | 20 VA | 30 VA |
| 1500 A | 10 VA | 30 VA | 10 VA | 30 VA | 45 VA | 10 VA | 15 VA | 10 VA | 20 VA | 30 VA |
| 1600 A | 10 VA | 30 VA | 10 VA | 30 VA | 45 VA | 10 VA | 15 VA | 10 VA | 20 VA | 30 VA |
| 2000 A | - | - | - | - | - | 10 VA | 15 VA | 10 VA | 20 VA | 30 VA |

ORDER

Required data: transformer type/ primary current/ secondary current/ power/ accuracy class

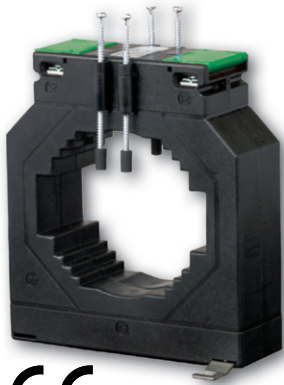
Order example: LCTB 104/60 (45) 100/5A, 1.5VA, cl. 1

ACCESSORIES:

DIN rail mounting base

order code: LH000-0904-130-124

LCTB 140 - BUSBAR SERIES



INPUT:

200 A
...
5000 A

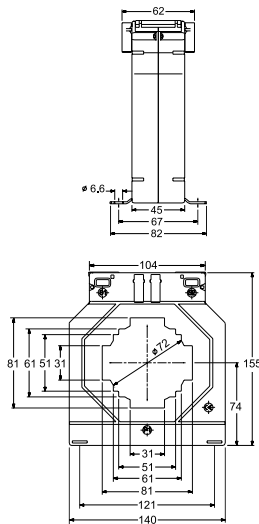
OUTPUTS:

5 A **1 A**

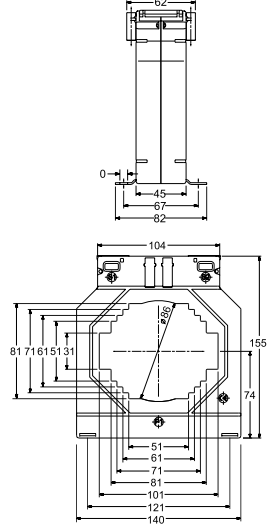
| | LCTB 140/80 (45) | LCTB 140/100H (45) | LCTB 140/100V (45) | LCTB 140/130V (45) |
|-------------------|-------------------------------|---------------------------------------------------|---------------------------------------------------|--------------------|
| Hole diameter | Ø 72 mm | Ø 86 mm | Ø86 mm | - |
| Busbar | 80 x 30 mm, 2 x 60 x 25 mm | 100 x 30 mm, 2 x 80 x 25 mm, 2 x 70 x 30 mm | 100 x 30 mm, 2 x 80 x 25 mm, 2 x 70 x 30 mm | 70 x 130 mm |
| Depth | 45 mm | 45 mm | 45 mm | 45 mm |
| Width | 140 mm | 140 mm | 140 mm | 140 mm |
| Primary current | 200 A...2000 A | 200 A...4000 A | 200 A...3000 A | 400 A...5000 A |
| Secondary current | 1 A, 5 A | | | |
| Accuracy class | 0,2S; 0,2; 0,5S; 0,5; 1 | | | 0,2; 0,5; 1 |

DIMENSIONS

LCTB 140/80 (45)



LCTB 140/100H (45)

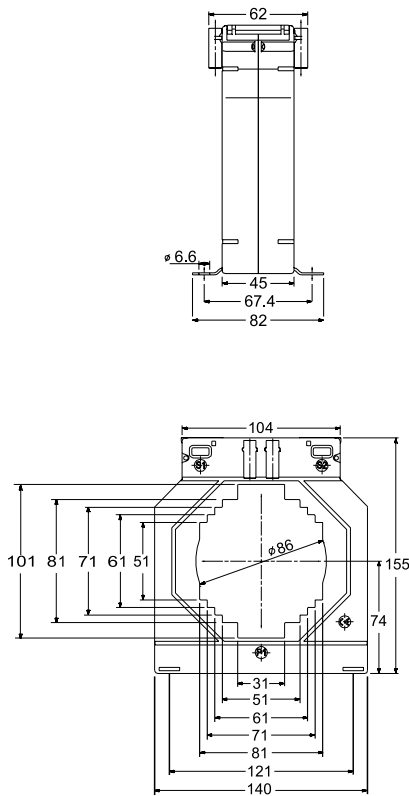


| Transformer type | LCTB 140/80 (45) | | | | | LCTB 140/100H (45) | | | | |
|-----------------------|--------------------|--------|---------|--------|-------|--------------------|---------|--------|---------|---------|
| | 0.2S | 0.2 | 0.5S | 0.5 | 1 | 0.2S | 0.2 | 0.5S | 0.5 | 1 |
| Accuracy class | 0.2S | 0.2 | 0.5S | 0.5 | 1 | 0.2S | 0.2 | 0.5S | 0.5 | 1 |
| Rated primary current | Transformer burden | | | | | | | | | |
| 200 A | - | - | - | 2.5 VA | 5 VA | - | - | - | 1.5 VA | 3.75 VA |
| 250 A | - | - | - | 5 VA | 10 VA | - | - | - | 2.5 VA | 5 VA |
| 300 A | - | 1.5 VA | - | 7.5 VA | 15 VA | - | - | - | 3.75 VA | 7.5 VA |
| 400 A | - | 2.5 VA | - | 10 VA | 20 VA | - | 1.5 VA | - | 7.5 VA | 10 VA |
| 500 A | 2.5 VA | 5 VA | 2.5 VA | 15 VA | 30 VA | - | 2.5 VA | - | 10 VA | 12.5 VA |
| 600 A | 3.75 VA | 7.5 VA | 3.75 VA | 15 VA | 30 VA | 2.5 VA | 3.75 VA | 2.5 VA | 10 VA | 15 VA |
| 750 A | 5 VA | 10 VA | 5 VA | 15 VA | 45 VA | 5 VA | 5 VA | 5 VA | 15 VA | 20 VA |
| 800 A | 5 VA | 10 VA | 5 VA | 15 VA | 45 VA | 5 VA | 5 VA | 5 VA | 15 VA | 20 VA |
| 1000 A | 10 VA | 15 VA | 10 VA | 30 VA | 60 VA | 5 VA | 10 VA | 5 VA | 15 VA | 20 VA |
| 1200 A | 12.5 VA | 15 VA | 12.5 VA | 30 VA | 60 VA | 10 VA | 15 VA | 10 VA | 15 VA | 30 VA |
| 1250 A | 12.5 VA | 30 VA | 12.5 VA | 60 VA | 60 VA | 10 VA | 15 VA | 10 VA | 15 VA | 30 VA |
| 1500 A | 15 VA | 30 VA | 15 VA | 60 VA | 60 VA | 15 VA | 20 VA | 15 VA | 20 VA | 30 VA |
| 1600 A | 15 VA | 30 VA | 15 VA | 60 VA | 60 VA | 15 VA | 20 VA | 15 VA | 20 VA | 45 VA |
| 2000 A | 15 VA | 30 VA | 15 VA | 60 VA | 60 VA | 15 VA | 30 VA | 15 VA | 45 VA | 45 VA |
| 2500 A | - | - | - | - | - | 15 VA | 30 VA | 15 VA | 45 VA | 45 VA |
| 3000 A | - | - | - | - | - | 15 VA | 30 VA | 15 VA | 60 VA | 60 VA |
| 4000 A | - | - | - | - | - | 15 VA | 30 VA | 15 VA | 60 VA | 60 VA |

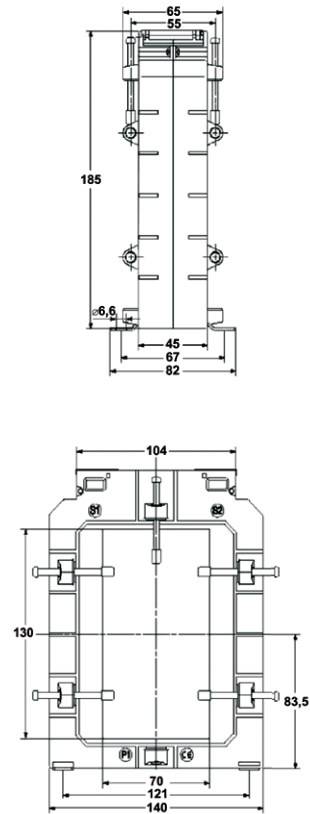
LCTB 140 - BUSBAR SERIES

DIMENSIONS

LCTB 140/100V (45)



LCTB 140/130V (45)



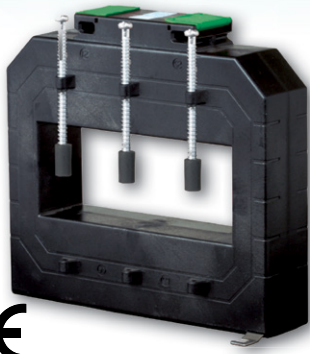
| Transformer type | LCTB 140/100V (45) | | | | | LCTB 140/130V (45) | | |
|-----------------------|--------------------|---------|--------|---------|---------|--------------------|---------|--------|
| | Accuracy class | 0.25 | 0.2 | 0.55 | 0.5 | 1 | 0.2 | 0.5 |
| Rated primary current | Transformer burden | | | | | | | |
| 200 A | - | - | - | 1.5 VA | 3.75 VA | - | - | - |
| 250 A | - | - | - | 2.5 VA | 5 VA | - | - | - |
| 300 A | - | - | - | 3.75 VA | 7.5 VA | - | - | - |
| 400 A | - | 1.5 VA | - | 10 VA | 10 VA | - | 3.75 VA | 5 VA |
| 500 A | - | 2.5 VA | - | 10 VA | 12.5 VA | - | 3.75 VA | 5 VA |
| 600 A | 2.5 VA | 3.75 VA | 2.5 VA | 12.5 VA | 15 VA | - | 3.75 VA | 5 VA |
| 750 A | 5 VA | 5 VA | 5 VA | 15 VA | 20 VA | - | 5 VA | 7.5 VA |
| 800 A | 5 VA | 5 VA | 5 VA | 15 VA | 20 VA | - | 5 VA | 7.5 VA |
| 1000 A | 5 VA | 10 VA | 5 VA | 15 VA | 20 VA | 5 VA | 10 VA | 10 VA |
| 1200 A | 10 VA | 15 VA | 10 VA | 15 VA | 30 VA | 7.5 VA | 10 VA | 15 VA |
| 1250 A | 10 VA | 15 VA | 10 VA | 15 VA | 30 VA | 7.5 VA | 10 VA | 15 VA |
| 1500 A | 15 VA | 20 VA | 15 VA | 30 VA | 30 VA | 10 VA | 15 VA | 15 VA |
| 1600 A | 15 VA | 20 VA | 15 VA | 45 VA | 45 VA | 10 VA | 15 VA | 15 VA |
| 2000 A | 15 VA | 30 VA | 15 VA | 45 VA | 45 VA | 15 VA | 20 VA | 20 VA |
| 2500 A | 15 VA | 30 VA | 15 VA | 45 VA | 45 VA | 15 VA | 20 VA | 20 VA |
| 3000 A | 15 VA | 30 VA | 15 VA | 60 VA | 60 VA | 15 VA | 20 VA | 20 VA |
| 4000 A | - | - | - | - | - | 15 VA | 20 VA | 20 VA |
| 5000 A | - | - | - | - | - | 15 VA | 20 VA | 20 VA |

ORDER

Required data: transformer type/ primary current/ secondary current/ power/ accuracy class

Order example: LCTB 140/100H (45) 200/5A, 3.75VA, cl. 1

LCTB 225 - BUSBAR SERIES



INPUT:

600 A
...
7500 A

OUTPUTS:

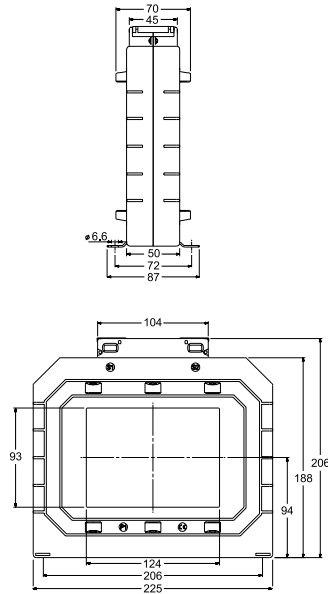
5 A

1 A

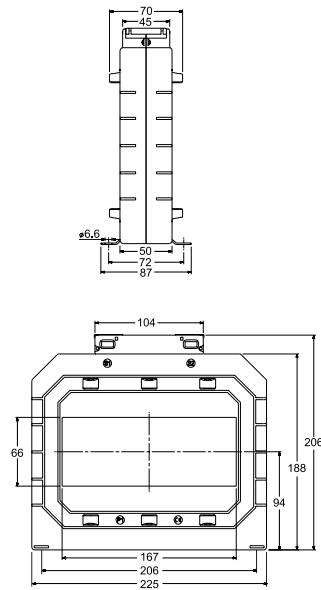
| | LCTB 225/125 (50) | LCTB 225/167 (50) |
|-------------------|-------------------------|-------------------|
| Busbar | 124 x 93 mm | 166 x 65 mm |
| Depth | 50 mm | 50 mm |
| Width | 225 mm | 225 mm |
| Primary current | 600 A...6000 A | 1000 A...7500 A |
| Secondary current | 1 A, 5 A | |
| Accuracy class | 0.2S; 0.2; 0.5S; 0.5; 1 | |

DIMENSIONS

LCTB 225/125 (50)



LCTB 225/167 (50)



| Transformer type | LCTB 225/125 (50) | | | | | LCTB 225/167 (50) | | | | |
|-----------------------|--------------------|-------|--------|--------|--------|-------------------|---------|--------|-------|-------|
| | Accuracy class | 0.2S | 0.2 | 0.5S | 0.5 | 1 | 0.2S | 0.2 | 0.5S | 0.5 |
| Rated primary current | Transformer burden | | | | | | | | | |
| 600 A | - | 5 VA | - | 5 VA | 10 VA | - | - | - | - | - |
| 750 A | - | 5 VA | - | 10 VA | 10 VA | - | - | - | - | - |
| 800 A | - | 5 VA | - | 10 VA | 10 VA | - | - | - | - | - |
| 1000 A | 5 VA | 10 VA | 5 VA | 10 VA | 15 VA | - | 3.75 VA | - | 5 VA | 10 VA |
| 1200 A | 5 VA | 10 VA | 5 VA | 10 VA | 15 VA | - | 5 VA | - | 10 VA | 15 VA |
| 1250 A | 5 VA | 10 VA | 5 VA | 10 VA | 15 VA | - | 5 VA | - | 10 VA | 15 VA |
| 1500 A | 7.5 VA | 10 VA | 7.5 VA | 15 VA | 30 VA | 5 VA | 10 VA | 5 VA | 15 VA | 30 VA |
| 1600 A | 7.5 VA | 10 VA | 7.5 VA | 15 VA | 30 VA | 5 VA | 10 VA | 5 VA | 15 VA | 30 VA |
| 2000 A | 10 VA | 10 VA | 10 VA | 15 VA | 30 VA | 7.5 VA | 10 VA | 7.5 VA | 30 VA | 30 VA |
| 2500 A | 10 VA | 15 VA | 10 VA | 30 VA | 30 VA | 10 VA | 15 VA | 10 VA | 30 VA | 45 VA |
| 3000 A | 10 VA | 15 VA | 10 VA | 30 VA | 60 VA | 10 VA | 15 VA | 10 VA | 30 VA | 45 VA |
| 4000 A | 15 VA | 30 VA | 15 VA | 45 VA | 60 VA | 10 VA | 15 VA | 10 VA | 30 VA | 45 VA |
| 5000 A | 15 VA | 30 VA | 15 VA | 100 VA | 100 VA | 15 VA | 20 VA | 15 VA | 30 VA | 45 VA |
| 6000 A | 15 VA | 60 VA | 15 VA | 100 VA | 100 VA | 15 VA | 20 VA | 15 VA | 30 VA | 45 VA |
| 7500 A | - | - | - | - | - | 15 VA | 20 VA | 15 VA | 30 VA | 45 VA |

ORDER

Required data: transformer type/ primary current/ secondary current/ power/ accuracy class

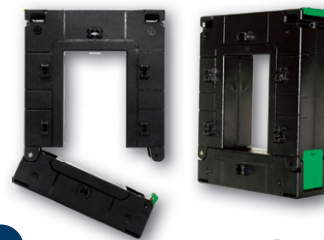
Order example: LCTB 225/125 (50) 600/5A, 10VA, cl. 1

LCTS - SPLIT CORE SERIES

| | LCTS 93/30SC (40) | LCTS 125/50SC (40) | LCTS 155/80SC (40) | LCTS 195/80SC (64) |
|-------------------|-------------------|--------------------|--------------------|--------------------|
| Window dimensions | 23 x 33 mm | 85 x 54 mm | 85 x 125 mm | 82 x 162 mm |
| Depth | 40 mm | 40 mm | 40 mm | 64 mm |
| Width | 93 mm | 125 mm | 155 mm | 195 mm |
| Primary current | 100 A...400 A | 250 A...1000 A | 250 A...3000 A | 500 A...5000 A |
| Secondary current | 1 A, 5 A | | | |
| Accuracy class | 0,5;1 | | | |

INPUT:

100 A
...
5000 A



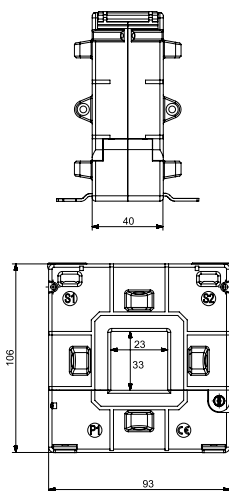
OUTPUTS:

5 A 1 A

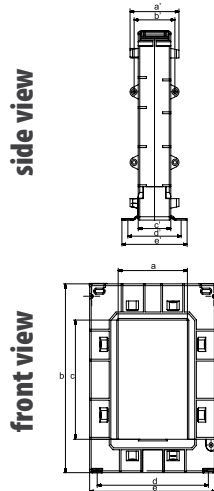


DIMENSIONS

LCTS 93/30SC (40)



LCTS 125/50SC, 155/80SC, 195/80SC



Side view (dimensions in mm)

| Type | a' | b' | c' | d' | e' |
|---------------|----|----|----|----|-----|
| 125/50SC (40) | 60 | 50 | 40 | 65 | 80 |
| 155/80SC (40) | 60 | 50 | 40 | 65 | 80 |
| 195/80SC (64) | 84 | 74 | 64 | 80 | 100 |

Front view (dimensions in mm)

| Type | a | b | c | d | e |
|---------------|----|-----|-----|-----|-----|
| 125/50SC (40) | 54 | 158 | 85 | 106 | 125 |
| 155/80SC (40) | 85 | 198 | 125 | 136 | 155 |
| 195/80SC (64) | 80 | 245 | 160 | 179 | 195 |

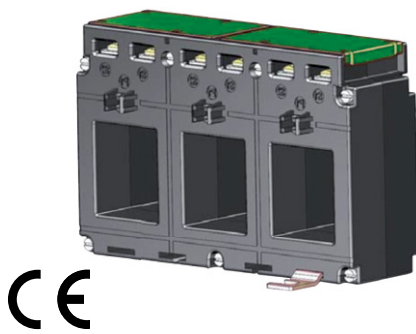
| Transformer type | LCTS 93/30SC (40) | | LCTS 125/50SC (40) | | LCTS 155/80SC (40) | | LCTS 195/80SC (64) | | |
|-----------------------|--------------------|---------|--------------------|---------|--------------------|---------|--------------------|-------|---|
| | Accuracy class | 0.5 | 1 | 0.5 | 1 | 0.5 | 1 | 0.5 | 1 |
| Rated primary current | Transformer burden | | | | | | | | |
| 100 A | - | 1.5 VA | - | - | - | - | - | - | - |
| 150 A | - | 1.75 VA | - | - | - | - | - | - | - |
| 200 A | - | 2.5 VA | - | - | - | - | - | - | - |
| 250 A | - | 3.75 VA | 1 VA | 2.5 VA | 1 VA | 2.5 VA | - | - | |
| 300 A | 2.5 VA | 5 VA | 2.5 VA | 3.75 VA | 1.5 VA | 3.75 VA | - | - | |
| 400 A | 3.75 VA | 6.25 VA | 2.5 VA | 3.75 VA | 2.5 VA | 3.75 VA | - | - | |
| 500 A | - | - | 3.75 VA | 5 VA | 3.75 VA | 5 VA | 1.25 VA | 5 VA | |
| 600 A | - | - | 5 VA | 7.5 VA | 5 VA | 7.5 VA | 1.25 VA | 5 VA | |
| 750 A | - | - | 7.5 VA | 10 VA | 7.5 VA | 10 VA | 5 VA | 10 VA | |
| 800 A | - | - | 7.5 VA | 10 VA | 7.5 VA | 10 VA | 7.5 VA | 10 VA | |
| 1000 A | - | - | 10 VA | 15 VA | 10 VA | 15 VA | 10 VA | 20 VA | |
| 1200 A | - | - | - | - | 15 VA | 30 VA | 15 VA | 20 VA | |
| 1250 A | - | - | - | - | 15 VA | 30 VA | 15 VA | 20 VA | |
| 1500 A | - | - | - | - | 20 VA | 45 VA | 20 VA | 30 VA | |
| 1600 A | - | - | - | - | 20 VA | 45 VA | 20 VA | 30 VA | |
| 2000 A | - | - | - | - | 20 VA | 45 VA | 25 VA | 30 VA | |
| 2500 A | - | - | - | - | 25 VA | 45 VA | 25 VA | 30 VA | |
| 3000 A | - | - | - | - | 30 VA | 45 VA | 30 VA | 45 VA | |
| 4000 A | - | - | - | - | - | - | 30 VA | 45 VA | |
| 5000 A | - | - | - | - | - | - | 30 VA | 45 VA | |

ORDER

Required data: transformer type/ primary current/ secondary current/ power/ accuracy class

Order example: LCTS 93/30SC (40) 100/5A, 1.5VA, cl. 1

LCTP - 3-PHASE BUSBAR SERIES



INPUT:

100 A
...
500 A

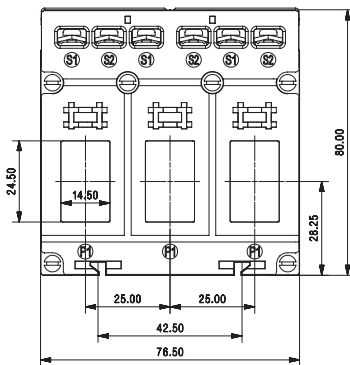
OUTPUT:

5 A

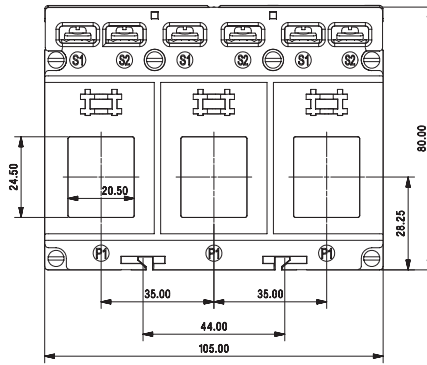
| | LCTP 75/15 (60) | LCTP 105/21 (40) | LCTP 140/31 (40) |
|-------------------|-----------------|------------------|------------------|
| Busbar | 14 x 24 mm | 20 x 24 mm | 31 x 36 mm |
| Depth | 60 mm | 40 mm | 40 mm |
| Width | 76.5 mm | 105 mm | 140 mm |
| Primary current | 100...160 A | 100...250 A | 250...500 A |
| Secondary current | 5 A | | |
| Accuracy class | 0.5;1 | | |

DIMENSIONS

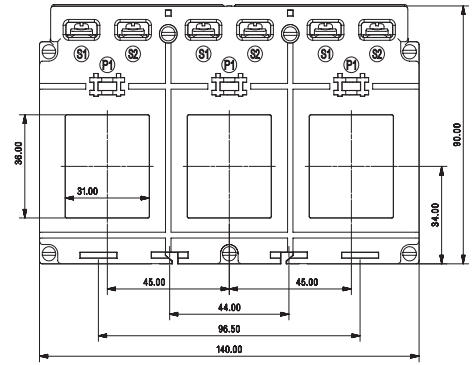
LCTP 75/15 (60)



LCTP 105/21 (40)



LCTP 140/31 (40)



| Transformer type | LCTP 75/15 (60) | | LCTP 105/21 (40) | | LCTP 140/31 (40) | |
|-----------------------|--------------------|--------|------------------|--------|------------------|--------|
| Accuracy class | 05 | 1 | 0.5 | 1 | 0.5 | 1 |
| Rated primary current | Transformer burden | | | | | |
| 100 A | - | 1 VA | - | 1 VA | - | - |
| 125 A | - | 1.5 VA | - | 1.5 VA | - | - |
| 150 A | 1.5 VA | 1.5 VA | - | 1.5 VA | - | - |
| 160 A | 1.5 VA | 1.5 VA | 1.5 VA | 1.5 VA | - | - |
| 200 A | - | - | 1.5 VA | 1.5 VA | - | - |
| 250 A | - | - | 1.5 VA | 1.5 VA | 1.5 VA | 1.5 VA |
| 300 A | - | - | - | - | 2.5 VA | 2.5 VA |
| 400 A | - | - | - | - | 2.5 VA | 2.5 VA |
| 500 A | - | - | - | - | 2.5 VA | 2.5 VA |

ORDER

Required data: transformer type/ primary current/ secondary current/ power/ accuracy class

Order example: LCTP140/31 (40) 500/5A; 2.5 VA; cl. 1

LCTP - 3-PHASE ROUND CONDUCTOR SERIES

| | LCTP 185/27 (45) | LCTP 185/37 (45) |
|-------------------|------------------|------------------|
| Hole diameter | ∅ 27 mm | ∅ 37 mm |
| Depth | 45 mm | 45 mm |
| Width | 185 mm | 185 mm |
| Primary current | 100...500 A | 300...800 A |
| Secondary current | 5A | |
| Accuracy class | 1 | |

INPUT:

100 A
...
800 A

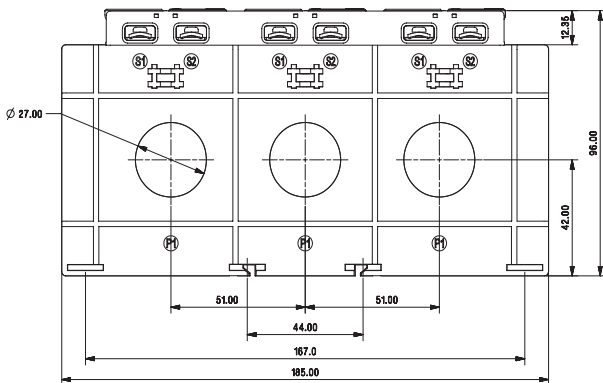
OUTPUT:

5 A

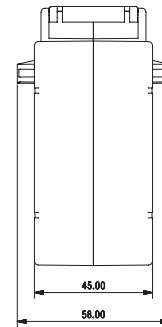
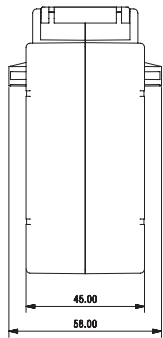
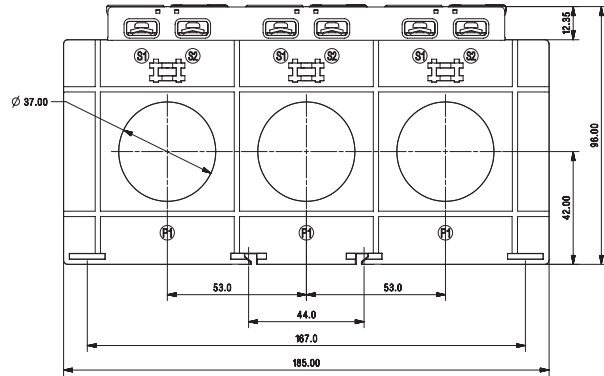


DIMENSIONS

LCTP 185/27 (45)



LCTP 185/37 (45)



| Transformer type | LCTP 185/27 (45) | LCTP 185/37 (45) |
|-----------------------|--------------------|------------------|
| Accuracy class | 1 | 1 |
| Rated primary current | Transformer burden | |
| 100 A | 1.5 VA | - |
| 150 A | 1.5 VA | - |
| 200 A | 2.5 VA | - |
| 250 A | 2.5 VA | - |
| 300 A | 5 VA | 2.5 VA |
| 400 A | 5 VA | 5 VA |
| 500 A | 5 VA | 5 VA |
| 600 A | - | 5 VA |
| 800 A | - | 5 VA |

ACCESSORIES:

DIN rail mounting base

order code: LH000-0904-130-124

ORDER

Required data: transformer type/ primary current/ secondary current/ power/ accuracy class

Order example: LCTP 185/27 (45) 100/5 A, 1.5 VA, cl. 1

LRC- RESIN CAST SERIES

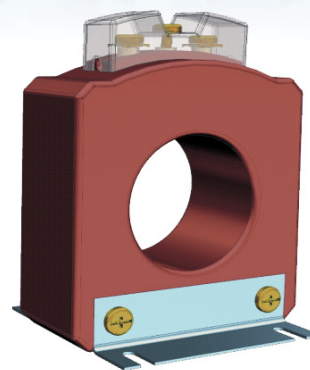
| | LRC1 80/30(50) | LRC2 90/50(40) |
|-------------------|----------------|----------------|
| Hole diameter | ∅ 30 mm | ∅ 50 mm |
| Depth | 50 mm | 40 mm |
| Width | 80 mm | 90 mm |
| Primary current | 60 A...160 A | 200 A...320 A |
| Secondary current | 1 A, 5 A | |
| Accuracy class | 1 | |

INPUT:

60 A
...
320 A

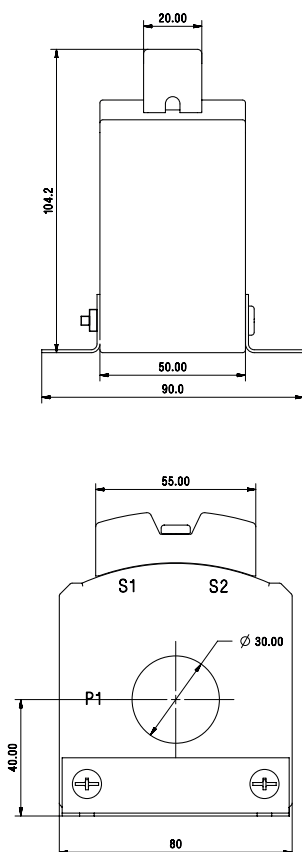
OUTPUTS:

5 A 1 A

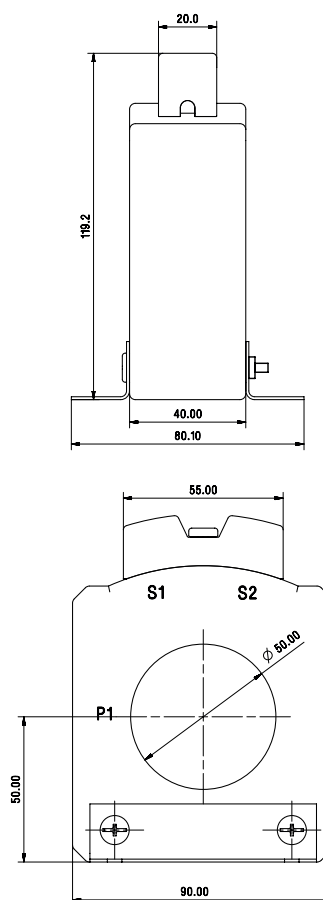


DIMENSIONS

LRC1 80/30(50)



LRC2 90/50(40)



| Transformer type | LRC1 80/30(50) | LRC2 90/50(40) |
|-----------------------|--------------------|----------------|
| Accuracy class | 1 | 1 |
| Rated primary current | Transformer burden | |
| 60 A | 1.5 VA | - |
| 100 A | 5 VA | - |
| 125 A | 5 VA | - |
| 150 A | 5 VA | - |
| 160 A | 5 VA | - |
| 200 A | - | 5 VA |
| 250 A | - | 10 VA |
| 300 A | - | 10 VA |
| 320 A | - | 10 VA |

ORDER

Required data: transformer type/ primary current/ secondary current/ power/ accuracy class
Order example: LRC1 80/30(50) 100/5A, 5VA, cl. 1

LRC- RESIN CAST SERIES



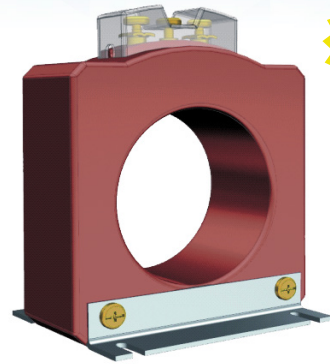
| | LRC3 110/72(40) | LRC4 135/85(40) |
|-------------------|-----------------|-----------------|
| Hole diameter | Ø 72 mm | Ø 85 mm |
| Depth | 40 mm | 40 mm |
| Width | 110 mm | 135 mm |
| Primary current | 400 A...630 A | 800 A...1250 A |
| Secondary current | 1 A, 5 A | |
| Accuracy class | 1 | |

INPUT:

400 A
...
1250 A

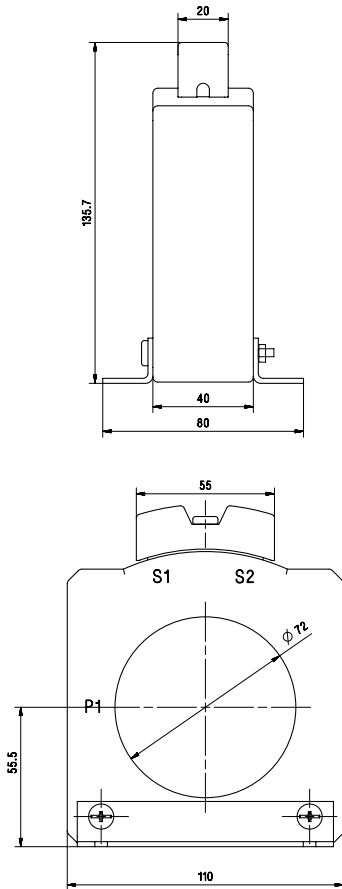
OUTPUTS:

5 A 1 A

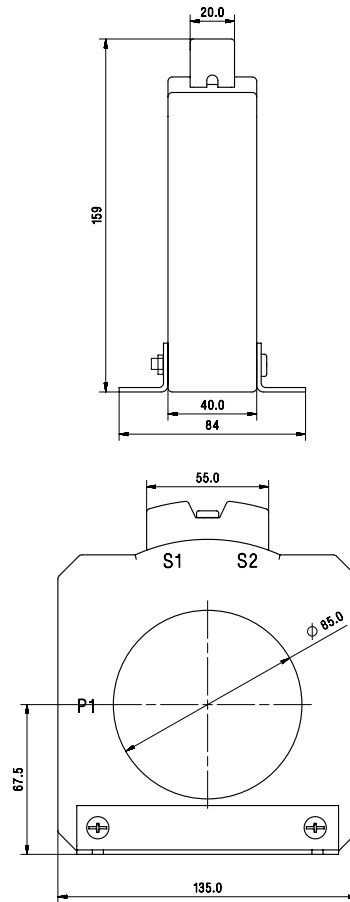


DIMENSIONS

LRC3 110/72(40)



LRC4 135/85(40)



| Transformer type | LRC3 110/72(40) | LRC4 135/85(40) |
|-----------------------|--------------------|-----------------|
| Accuracy class | 1 | 1 |
| Rated primary current | Transformer burden | |
| 400 A | 10 VA | - |
| 500 A | 15 VA | - |
| 600 A | 15 VA | - |
| 630 A | 15 VA | - |
| 800 A | - | 15 VA |
| 1000 A | - | 15 VA |
| 1200 A | - | 15 VA |
| 1250 A | - | 15 VA |

ORDER

Required data: transformer type/ primary current/ secondary current/ power/ accuracy class

Order example: LRC3 110/72(40) 600/5A, 15VA, cl. 1

LRC- RESIN CAST SERIES

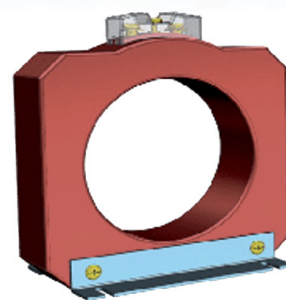
| | LRC5 165/115(40) | LRC6 195/130(40) |
|-------------------|------------------|------------------|
| Hole diameter | Ø 115 mm | Ø 130 mm |
| Depth | 40 mm | 40 mm |
| Width | 165 mm | 195 mm |
| Primary current | 1500 A...2000 A | 2500 A...3200 A |
| Secondary current | 1 A, 5 A | |
| Accuracy class | 1 | |

INPUT:

1500 A
...
3200 A

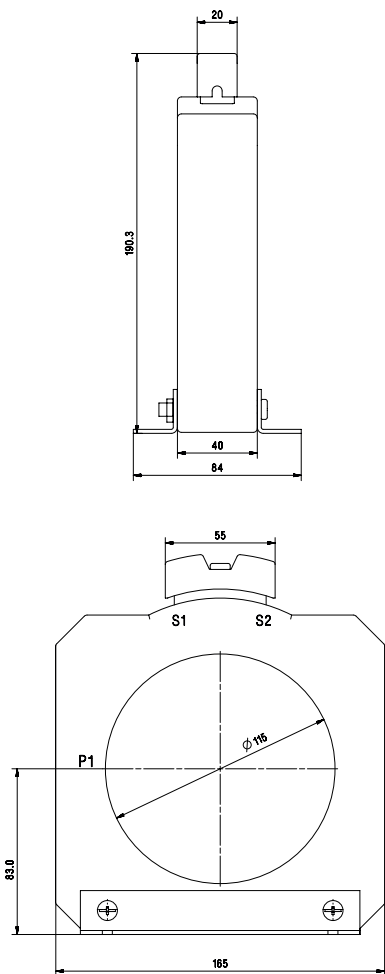
OUTPUTS:

5 A 1 A

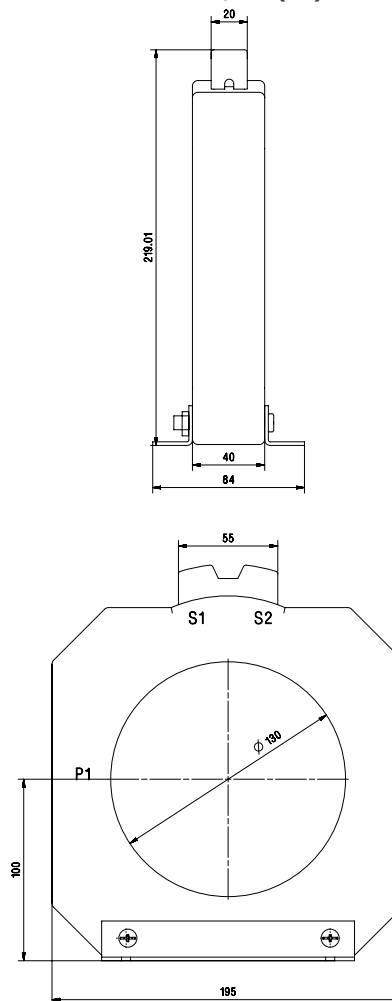


DIMENSIONS

LRC5 165/115(40)



LRC6 195/130(40)



| Transformer type | LRC5 165/115(40) | LRC6 195/130(40) |
|-----------------------|--------------------|------------------|
| Accuracy class | 1 | 1 |
| Rated primary current | Transformer burden | |
| 1500 A | 15 VA | - |
| 1600 A | 15 VA | - |
| 2000 A | 15 VA | - |
| 2500 A | - | 15 VA |
| 3000 A | - | 15 VA |
| 3200 A | - | 15 VA |

ORDER

Required data: transformer type/ primary current/ secondary current/ power/ accuracy class

Order example: LRC5 165/115(40) 2000/5A, 15VA, cl. 1

LRC- RESIN CAST SERIES

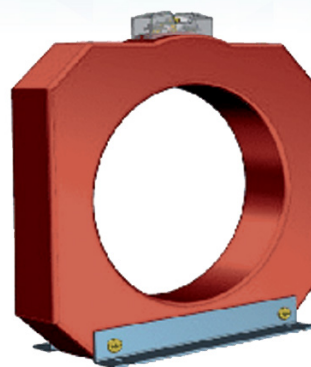
| | LRC7 230/165(40) | LRC8 295/200(40) |
|-------------------|------------------|------------------|
| Hole diameter | Ø 165 mm | Ø 200 mm |
| Depth | 40 mm | 40 mm |
| Width | 230 mm | 295 mm |
| Primary current | 3000 A...3200 A | 4000 A...5000 A |
| Secondary current | 1 A, 5 A | |
| Accuracy class | 1 | |

INPUT:

3000 A
...
5000 A

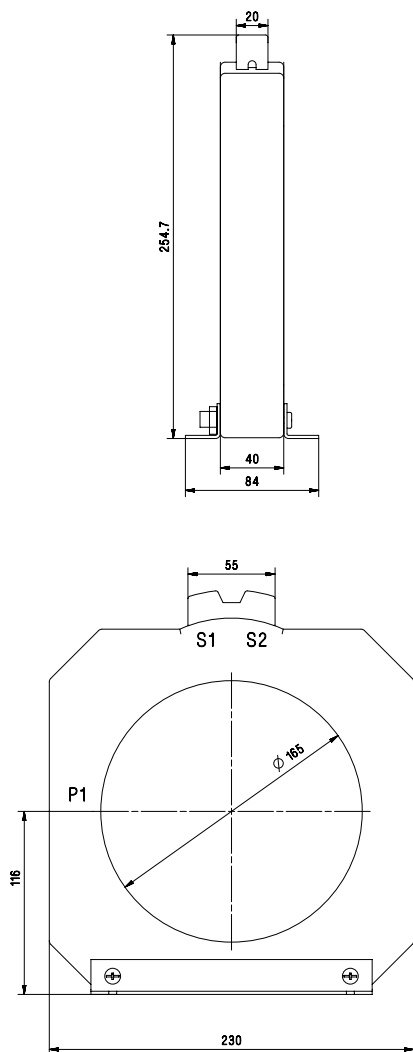
OUTPUTS:

5 A 1 A

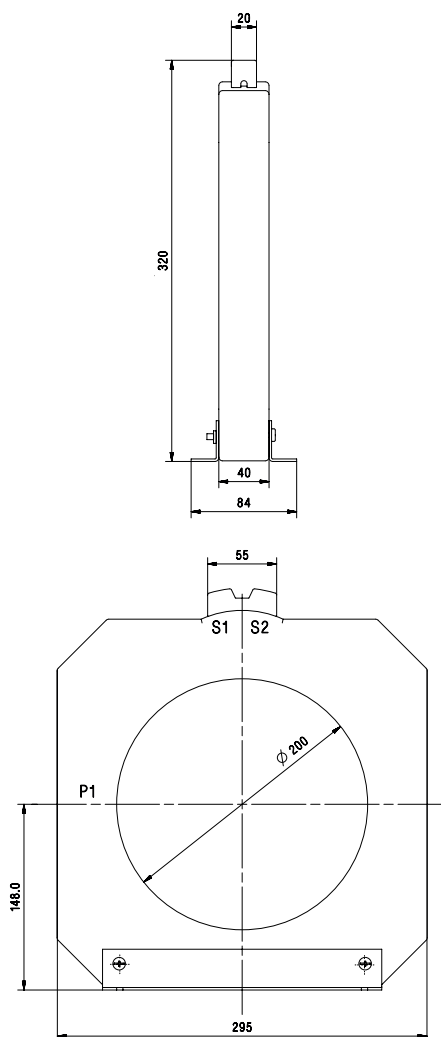


DIMENSIONS

LRC7 230/165(40)



LRC8 295/200(40)



| Transformer type | LRC7 230/165(40) | LRC8 295/200(40) |
|-----------------------|--------------------|------------------|
| Accuracy class | 1 | 1 |
| Rated primary current | Transformer burden | |
| 3000 A | 15 VA | - |
| 3200 A | 15 VA | - |
| 4000 A | - | 15 VA |
| 5000 A | - | 15 VA |

ORDER

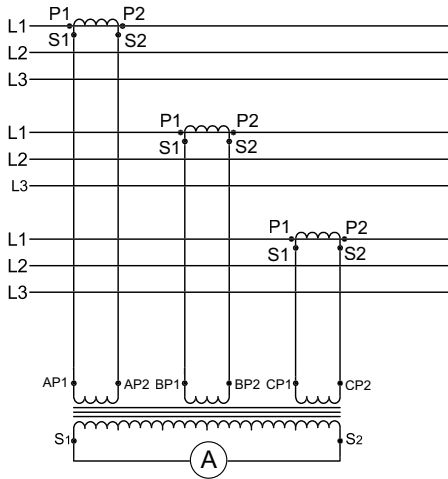
Required data: transformer type/ primary current/ secondary current/ power/ accuracy class

Order example: LRC7 230/165(40) 3000/5A, 15VA, kl. 1

LU01 - SUMMATION CURRENT TRANSFORMERS



SUMMATION CURRENT TRANSFORMER are designed to summarize several synchronous alternating currents of equal phase relation with any angle of phase difference. They are used to add secondary currents of several main c.t.'s in order to measure with the CT only.



Current measurement in phase L1

AN EXAMPLE OF POWER SELECTION FOR MAIN TRANSFORMERS WITH DIFFERENT TRANSMISSIONS

Main Transformer ratio:

$$\begin{array}{r} 500/5A \\ 400/5A \\ \hline 300/5A \\ \hline \text{Total current} = 1200/5A \end{array}$$

Burden - 1 Ammeter

Required Active performance of the Current Transformer:

| | |
|-----------------------------|---------------|
| Ammeter | 1.5 VA |
| Measurement Conductor Loss | 1.5 VA |
| Consumption in Summation CT | 4.0 VA |
| Total VA | 7.0 VA |

The individual main transformer must provide its VA share from this 7.0 VA.

1. Main transformer 500/ 5A (500/ 1200) x 7 = 2.92 VA + additional losses ≈ 3.75 VA*
2. Main transformer 400/ 5A (400/ 1200) x 7 = 2.33 VA + additional losses ≈ 2.5 VA*
3. Main transformer 300/ 5A (300/ 1200) x 7 = 1.75 VA + additional losses ≈ 2.5 VA*

* The VA values of the main transformer are to be rounded up to the corresponding values in our chart.

Note: If using unequal main c.t.'s than ration of lowest primary main c.t. current to the highest one should not exceed 1:8.

FEATURES:

- Available current transformers versions with 2 to 8 primary windings.
- Nickel plated secondary terminals with +/- screws.
- Multiple mounting methods, including wall mounting, DIN rail 35mm.
- Terminal protection IP10.

GENERAL SPECIFICATION

| | |
|---------------------------------------------------------|-----------------------------------------------------------------------|
| Applicable standard: | IEC 61869-1/2 |
| Case: | self-extinguishing plastic |
| Connection: | Two connection on each side. M4 screws with self lifting clamp strap. |
| Insulation class: | E (max 120°C) |
| Maximum system voltage: | 0.72 kV |
| Operating frequency: | 50/60 Hz |
| Test voltage: | 3 kV, 50 Hz, 1 min |
| Rated primary rating: | (2...8) x 5A |
| Rated secondary output: | 5A |
| Rated burden: | 5; 10; 15; 20; 25 VA |
| Accuracy class: | 0.5; 1 |
| Ambient temperature: | -25°C ... +40°C |
| Storage temperature: | -50°C ... +80°C |
| Thermal short circuit current (I_{th}): | 60 x I _n |
| Dynamic short circuit current (I_{dyn}): | 2,5 x I _{th} |
| Instrument security factor (FS): | 5,10 |

FEATURES:

720 V

Class
0.5
1

OUTPUTS:

5 A

LU01 - SUMMATION CURRENT TRANSFORMERS



| | LU01 (75) |
|-------------------|-----------------|
| Depth | 70 mm |
| Width | 75 mm |
| Inputs | 2 x 5A...4 x 5A |
| Secondary current | 5 A |
| Accuracy class | 0,5; 1 |

INPUTS:

2 x 5A
...
4 x 5A

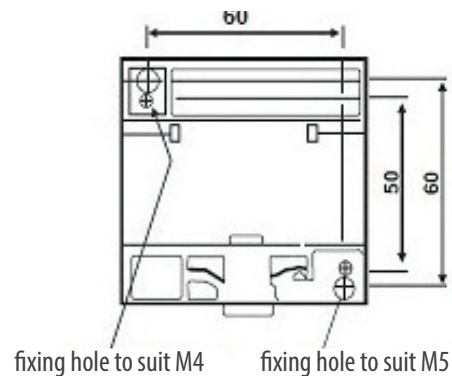
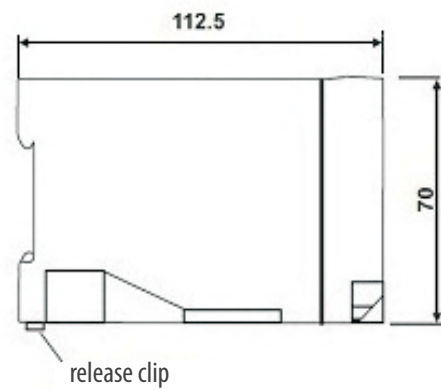
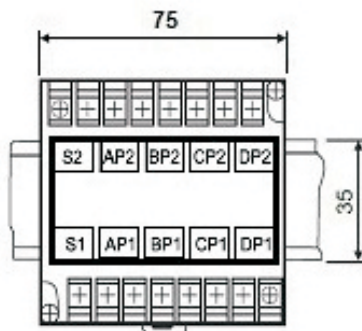
OUTPUTS:

5 A

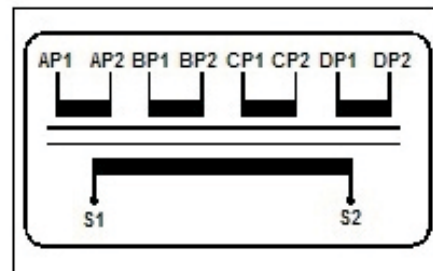


DIMENSIONS

LU01 (75)



| Transformer type | LU01 (75) | |
|------------------|--------------------|-------|
| | 0.5 | 1 |
| Accuracy class | 0.5 | 1 |
| Inputs | Transformer burden | |
| 2 x 5A | 5 VA | 5 VA |
| | 10 VA | 10 VA |
| | 15 VA | 15 VA |
| | - | 20 VA |
| | - | 25 VA |
| 3 x 5A | 5 VA | 5 VA |
| | 10 VA | 10 VA |
| | 15 VA | 15 VA |
| | - | 20 VA |
| | - | 25 VA |
| 4 x 5A | 5 VA | 5 VA |
| | 10 VA | 10 VA |
| | 15 VA | 15 VA |
| | - | 20 VA |
| | - | 25 VA |



terminal description

ORDER

Required data: transformer type/ inputs/ power/ accuracy class
Order example: LU01 (75), 2x5A, 5VA, d. 1

LU01 - SUMMATION CURRENT TRANSFORMERS

| | LU01 (150) |
|-------------------|-----------------|
| Depth | 70 mm |
| Width | 150 mm |
| Inputs | 5 x 5A...8 x 5A |
| Secondary current | 1 A, 5 A |
| Accuracy class | 0,5; 1 |

INPUTS:

5 x 5A
...
8 x 5A

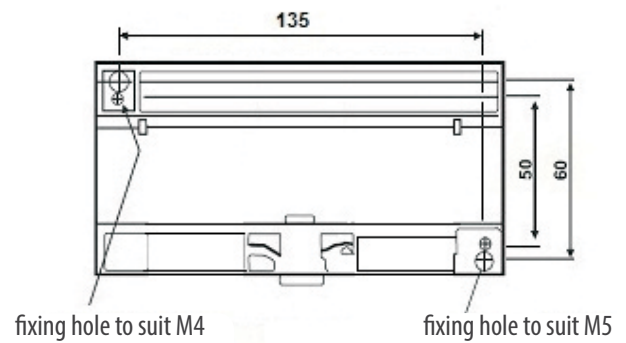
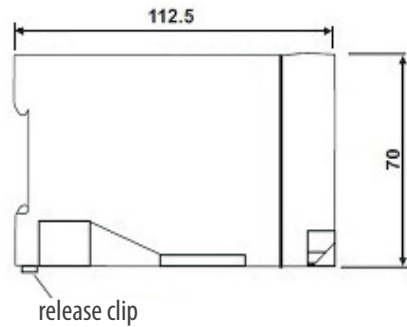
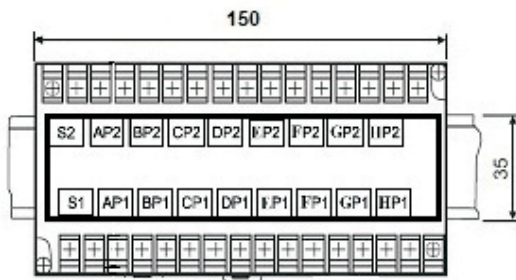
OUTPUTS:

5 A



DIMENSIONS

LU01 (150)



| Transformer type | LU01 (150) | |
|------------------|--------------------|-------|
| Accuracy class | 0.5 | 1 |
| Inputs | Transformer burden | |
| | 5 VA | 5 VA |
| 5 x 5A | 10 VA | 10 VA |
| | 15 VA | 15 VA |
| | - | 20 VA |
| | - | 25 VA |
| | - | 25 VA |
| 6 x 5A | 5 VA | 5 VA |
| | 10 VA | 10 VA |
| | 15 VA | 15 VA |
| | - | 20 VA |
| | - | 25 VA |
| 7 x 5A | 5 VA | 5 VA |
| | 10 VA | 10 VA |
| | 15 VA | 15 VA |
| | - | 20 VA |
| | - | 25 VA |
| 8 x 5A | 5 VA | 5 VA |
| | 10 VA | 10 VA |
| | 15 VA | 15 VA |
| | - | 20 VA |
| | - | 25 VA |

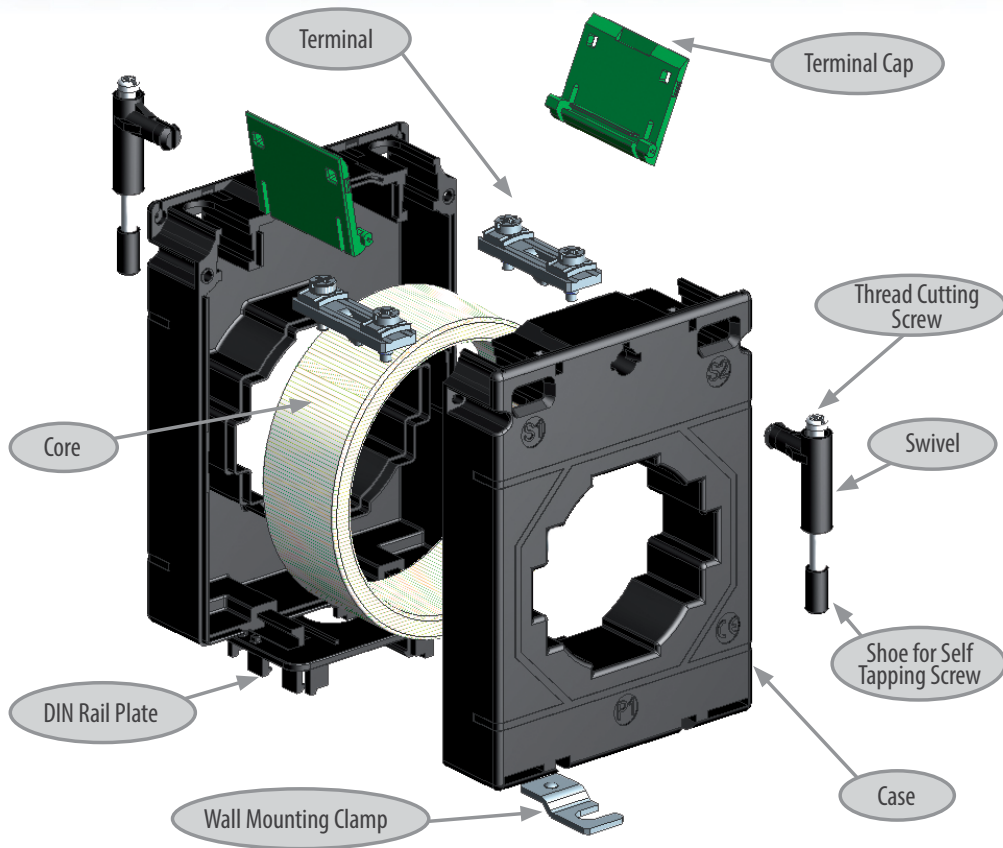


terminal description

ORDER

Required data: transformer type/ inputs/ power/ accuracy class

Order example: LU01 (150), 5x5A, 15VA, cl. 0.5



DIN Rail Mounting Base:

(additional accessories - have to be order separately)

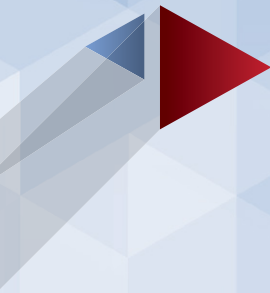
| Order code | Transformer type | View |
|-------------------------------------------------------------|-------------------------------------------------------------------------|------|
| LH000-0904-130-123 | LCTR 50/xx (30) LCTB 50/xx (30) | |
| LH000-0904-130-002 | LCTR 45, LCTB 45 | |
| LH000-0904-130-124 | LCTM LCTR 62, LCTB 62, LCTB 74, LCTB 86, LCTB 104, LCTP | |
| LH000-0904-130-128 (for vertical or horizontal mounting) | LCTM, LCTR 62, LCTB 62, LCTB 74, LCTB 86, LCTB 104, LCTP | |

| Accessories | |
|------------------------------------|------|
| Description | View |
| Thread cutting screw 4 x 35mm | |
| Thread cutting screw 4 x 45mm | |
| Thread cutting screw 4 x 75mm | |
| Wall mounting clamp | |
| Swivel | |
| Shoe for self tapping M4 screw | |
| Nut of M4 screw | |
| Locking pin | |
| Thread cutting screw M4 x 45 mm | |

Busbar mounting kit:

(delivered with each current transformer)

| Kit order code | Description | No of pcs. | Transformer type |
|--------------------|---------------------------------|------------|-------------------------------------------------|
| LH000-0904-130-140 | Wall mounting clamp | 2 | LCTR 45, LCTB 45, LCTM 62W, LCTM 74W |
| LH000-0904-130-141 | Thread cutting screw 4 x 35mm | 2 | LCTR 50, LCTB 50 |
| | Wall mounting clamp | 2 | |
| | Swivel | 2 | |
| | Shoe for self tapping M4 screw | 2 | |
| LH000-0904-130-142 | Thread cutting screw 4 x 45mm | 2 | LCTR 62, LCTB 62, LCTB 74, LCTB 86 |
| | Wall mounting clamp | 2 | |
| | Swivel | 2 | |
| | Shoe for self tapping M4 screw | 2 | |
| LH000-0904-130-147 | Thread cutting screw 4 x 35mm | 6 | LCTB 100/100 V, LCTB 100/130 V |
| | Wall mounting clamp | 2 | |
| | Shoe for self tapping M4 screw | 6 | |
| LH000-0904-130-143 | Thread cutting screw 4 x 45mm | 4 | LCTB 104 |
| | Wall mounting clamp | 2 | |
| | Swivel | 4 | |
| | Shoe for self tapping M4 screw | 4 | |
| LH000-0904-130-144 | Thread cutting screw 4 x 75mm | 4 | LCTB 140/80, LCTB 140/100H, LCTB 140/100V |
| | Wall mounting clamp | 2 | |
| | Swivel | 4 | |
| | Shoe for self tapping M4 screw | 4 | |
| LH000-0904-130-145 | Thread cutting screw 4 x 75mm | 1 | LCTB 140/130 V |
| | Thread cutting screw 4 x 45mm | 5 | |
| | Wall mounting clamp | 2 | |
| | Shoe for self tapping M4 screw | 6 | |
| LH000-0904-130-146 | Thread cutting screw 4 x 75mm | 6 | LCTB 225 |
| | Wall mounting clamp | 2 | |
| | Shoe for self tapping M4 screw | 6 | |
| LH000-0904-130-623 | Thread cutting screw M4 x 45mm | 4 | LCTS 93/30SC |
| | Wall mounting clamp | 2 | |
| | Shoe for self tapping M4 screw | 4 | |
| | Locking pin | 1 | |
| | Nut of M4 screw | 4 | |
| LH000-0904-130-624 | Thread cutting screw M4 x 45 mm | 6 | LCTS 125/50SC |
| | Wall mounting clamp | 2 | |
| | Shoe for self tapping M4 screw | 6 | |
| | Locking pin | 1 | |
| | Nut of M4 screw | 6 | |
| LH000-0904-130-625 | Thread cutting screw M4 x 45 mm | 8 | LCTS 155/80SC |
| | Wall mounting clamp | 2 | |
| | Shoe for self tapping M4 screw | 8 | |
| | Locking pin | 1 | |
| | Nut of M4 screw | 8 | |

A decorative graphic on the left side of the page consists of a grey arrow pointing right, with a red triangle at its tip and a blue triangle at its tail.

We are one of leading European manufacturers of electrical devices for automation and high pressure aluminium castings. We have been on the market since 1953. We have achieved our high position on the market due to continuous development policy, competence of our employees and modern equipment for research, design and production.

LUMEL is focused on 4 main activity fields:

- production of automatic devices for measurement, conversion, control and recording, transmission and visualization of various industrial processes;
- production and machining of high pressure castings and manufacturing of moulds and tools;
- design and manufacturing of control and measuring systems,
- SMT assembly, precision engineering and production of plastics parts.

We provide comprehensive solutions for various branches of industry: power industry, chemical industry, metallurgy, food industry, light industry, automotive industry, white industry and mining. We have been working according to: ISO 9001:2008, ISO 14001:2004 and ISO/TS 16949.

LUMEL S.A.

ul. Sulechowska 1, 65-022 Zielona Góra, POLAND
tel.: +48 68 45 75 100, fax +48 68 45 75 508
www.lumel.com.pl

Export department:

tel.: (+48 68) 45 75 139, 45 75 233, 45 75 321, 45 75 386
fax.: (+48 68) 32 54 091
e-mail: export@lumel.com.pl

september 2018

X-ON Electronics

Largest Supplier of Electrical and Electronic Components

Click to view similar products for [Current Transformers](#) category:

Click to view products by [LUMEL](#) manufacturer:

Other Similar products are found below :

[L595100](#) [ACST-260](#) [L595050](#) [BV EI 481 1290 45077](#) [PACT RCP-4000A-UIRO-PT-D14](#) [PACT RCP-4000A-UIRO-PT-D19](#) [HCT22K-ACQD-TN 44170 45053](#) [PA3828NL 74089](#) [CST206-1A-B](#) [PTE504S](#) [HCT1001LD](#) [HCT415B-L](#) [HCT401L](#) [HCT418B-L](#) [HCT401C-B](#) [HCT35K-GG](#) [HCT129A](#) [HCT401C](#) [HCT401C-L](#) [HCT418L-2KZ-L](#) [HCT1002LD](#) [HCT418L-1KZ-L](#) [HCT415L-2KZ-L](#) [XD1-30/0.4](#) [HCT22K-A1](#) [HCT36K-A1](#) [XD1-40/0.4](#) [HCT415L-1KZ-L](#) [XL0A-5/5A-0.2](#) [XL5A-120/5A](#) [CBCT-210-1-CE](#) [CBCT-310-1-CE](#) [CBCT-35-1-CE](#) [CBCT-120-1-CE](#) [855-1700/032-000](#) [LCTS 5032500250A51](#) [LCTS 5032500300A51](#) [LCTS 5032500500A51](#) [9677.810](#) [LCTS 5018500150A51](#) [LCTS 9330400200A51](#) [LCTS 9330400100A51](#) [LCTS 1255041000A55](#) [LCTS 5032500400A51](#) [LCTS 5018500250A51](#) [LCTS 5018500200A51](#)