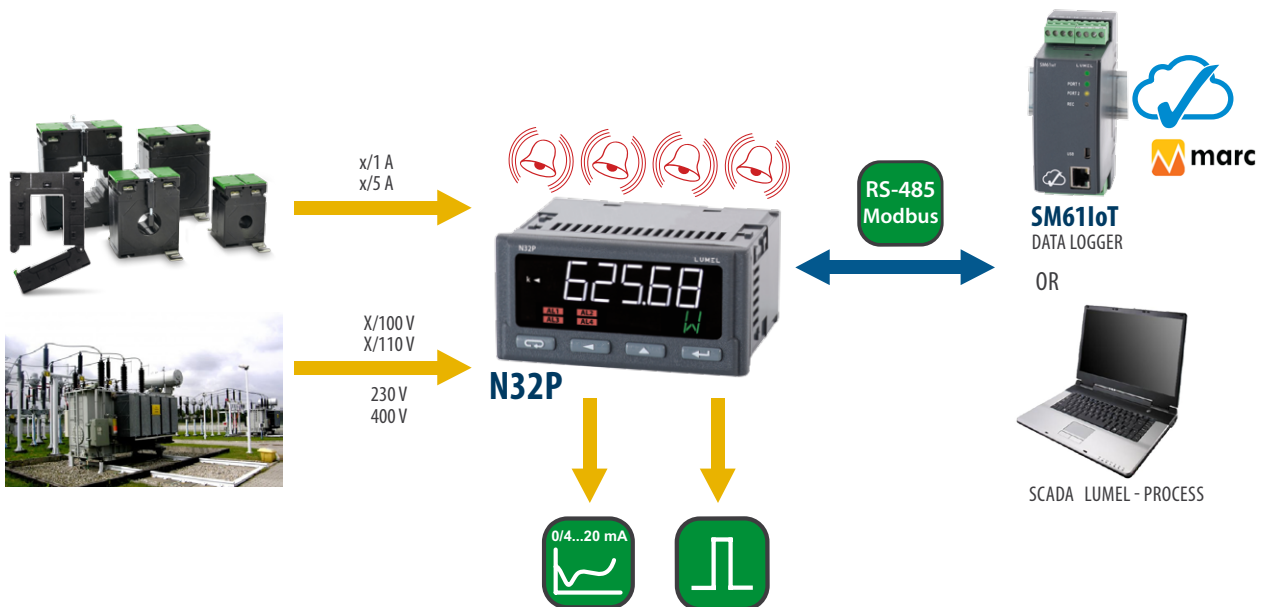




## N32P 1-PHASE POWER NETWORK METER

- Measurement of single-phase network parameters: voltage, current, active, reactive and apparent power,  $\cos \phi$ ,  $\tan \phi$ , frequency, active, reactive and apparent energy, active power 15 minutes, voltage 10 minutes.
- Current and voltage harmonics analysis up to 51st (measurements available via RS-485).
- Two-line LCD display with high contrast and built-in backlighting.
- Possibility of displaying the measured value and time simultaneously or a second measured value or unit (automatically displayed unit of measured quantity).
- Programmable measuring range (current 1 A / 5 A and voltage 100 V / 230 V / 400 V).
- High sampling frequency of measured signals 8 kHz.
- Programming parameters via buttons or RS-485 interface and free eCon software.
- 4 alarm outputs with signaling on led diodes, working in 7 different modes (option).
- Possibility to program each of the alarms to react to a different measurements.
- The function of the switch-on delay and switch-off delay of the alarm with the alarm event memory.
- Pulse output to control energy consumption.
- Conversion of any measured value into an analog signal 0/4...20 mA or 0...10V (option).
- Memory of minimal and maximal values for all measured quantities.
- Choice of period and averaging method with the possibility of synchronizing the average value with the built-in real-time clock.

### EXAMPLE OF APPLICATION



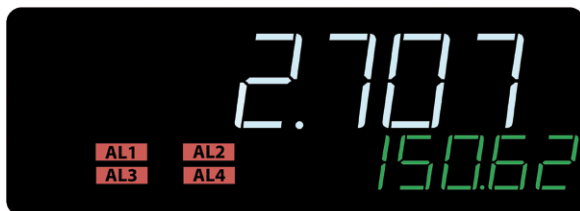
# N32P - 1-PHASE POWER NETWORK METER

FEATURES	INPUTS	OUTPUTS	GALVANIC ISOLATION

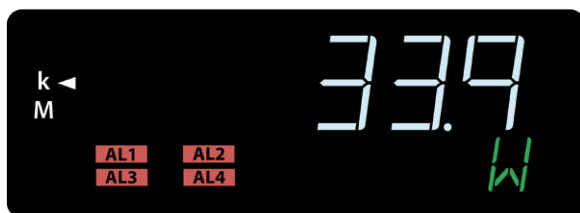
## MEASURED QUANTITIES AND CALCULATED BY THE METER

- effective voltage  $U$
- effective current  $I$
- frequency  $f$
- power: active  $P$ , reactive  $Q$ , apparent  $S$
- power factor  $\cos \varphi$
- power tangent  $\tan \varphi$
- active energy input/output  $E_p$
- reactive energy input/output  $E_q$
- total apparent energy  $E_s$
- energy meter  $E$
- maximum and minimum values in the given averaging period
- current time

## DATA VISUALISATION



or



or



Two-line display.  
Simultaneous preview of two measured values e.g. current and power.

Automatically displayed unit of measured value and symbol of multiplier kilo, mega.

Preview of current time on the bottom line of the display.  
Real-time clock with automatic winter/summer time change function.

## MULTI-PARAMETER MEASUREMENT



Up to 47 parameters can be viewed in one meter. The display can indicate two values simultaneously. All values are available via the RS-485 (Modbus) digital interface.

## UNIVERSAL MEASURING INPUT

x/1 A

x/5 A



Universal input for current and voltage measurement directly or indirectly from a current or voltage transformer. The primary and secondary sides of the transformer are separately configurable, which will correspond to the actual values.

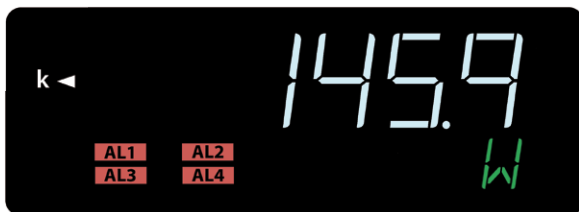
x/100 V

x/110 V



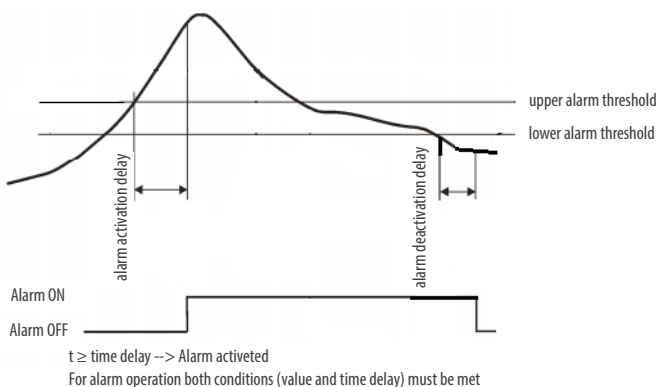
Only one parameter can be measured e. g. only the current, where the operation of the meter is synchronized with the current signal.

## ALARM FUNCTIONS



1 or 4 relay outputs with signaling on the display in the form of an active alarm number.

Each of the alarms can be configured to work in one of 7 modes, incl. REG mode for alarm control via RS-485 Modbus.



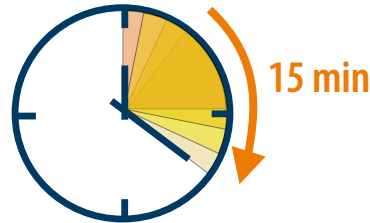
Programmable maintenance of alarm signaling. After the alarm event has ceased, the alarm status marker blinks on the display until it is deleted by the user.

Individually programmable parameters of switching on and switching off the alarm; this feature can be used to prevent „false“ alarms from occurring.

## MEASUREMENT AVERAGING ALGORITHM

Average values of voltage, current and power calculated by the walking window method, i.e. continuously updated.

Programmable averaging period of measured parameters in minutes, e.g. active power.



### MOVING WINDOW

The average value can be synchronized with the internal time clock, e.g. for the 15-minute setting, the value is updated every quarter of an hour.

Additional measurement of minimum and maximum values during the moving window.

## TECHNICAL DATA

### INPUTS AND MEASURING RANGES

Measured quantity	Measuring range (Ku=1; Ki=1)	Class
Voltage input 100 V 230 V 400 V	0.05...1.2 Un	0.1
Current input 1 A 5 A	0.05...1.2 In	
Frequency	35...65...100 Hz	0.2
Active power	The actual measuring range for active and reactive power: -1.2Ur * 1.2Ir ... 1.2Ur * 1.2Ir. For apparent power: 0... 1.2Ur * 1.2Ir	
Reactive power		
Apparent power		0.5
cos φ	-1...0...1	
tg φ	-999.99...-1.2...0...1.2...999.99	
THD of voltages and currents	0...100%	
Active energy	0...9 999 999.9 kWh	
Reactive power	0...9 999 999.9 kVarh	± 20 ppm
Apparent power	0...9 999 999.9 kVA	
Current time	0.00...23.59	

Ku - voltage ratio; Ki - current ratio; Un - rated voltage; In - rated current; Ur - set voltage measurement range; Ir - set current measurement range;

### OUTPUTS

Output type	Properties	Remarks
Relay output	<ul style="list-style-type: none"> <li>1 NO contact, load capacity 5A / 250V a.c.; 5A / 30V d.c.</li> <li>3 relays with a changeover contact, load capacity 6A / 250V a.c.; 6A / 30V d.c.; 0,15A / 250V d.c.</li> </ul>	
Analog output	<ul style="list-style-type: none"> <li>programmable current 0/4...20 mA, load resistence ≤ 500 Ω</li> <li>programmable voltage 0...10V, load resistence ≥ 500 Ω</li> </ul>	Analog output error: <b>0.1% of the set range</b> Additional error from temperature changes: <b>50% of class/10K</b>
OC output	OC type, passive npn, 30V d.c./30 mA	voltage free output

## DIGITAL INTERFACE

Interface type	Transmission protocol	Mode	Baud rate
RS-485	MODBUS RTU	8N2, 8E1, 8O1, 8N1	2.4, 4.8, 9.6, 14.4, 19.2, 28.8, 38.4, 57.6, 115.2 kbit/s

## EXTERNAL FEATURES

Readout field	1 row 6-digit; digits height 12.85 mm 2 rows: 5-digit; digits height 7.5 mm	high contrast LCD with backlight and programmable measuring unit
Weight	< 0.25 kg	
Overall dimensions	96 x 48 x 93 mm	mounting hole: $92^{+0.6} \times 45^{+0.6}$ mm
Protection grade (acc. to EN 60529)	from frontal side: IP65	from terminal side: IP 10

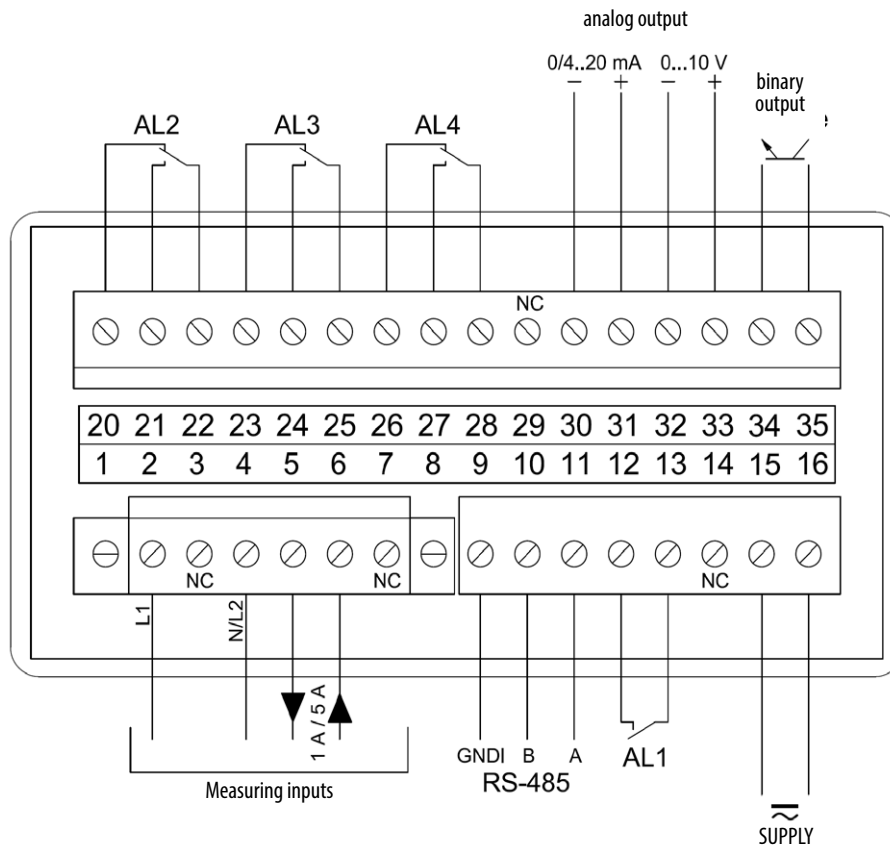
## RATED OPERATING CONDITIONS

Supply voltage	85...253 V a.c. (40...400 Hz), 90...300 V d.c. 20...40 V a.c. (45...65 Hz) / 20...60 V d.c.	power consumption < 6 VA
Temperature	ambient: -25...23...55°C	storage: -30...70°C
Relative humidity	25...95%	without condensation
Operating position	any	

## SAFETY AND COMPABILITY REQUIREMENTS

Electromagnetic compatibility	noise immunity	acc. to EN 61000-6-2
	noise emissions	acc. to EN 61000-6-4
Isolation between circuits	basic	acc. to EN 61010-1
Pollution level	2	
Installation category	III	
Maximal phase-to-earth voltage	for measuring, power and alarm circuits: 300 V	
	for other circuits: 50 V	
Altitude a.s.l.	< 2000 m	

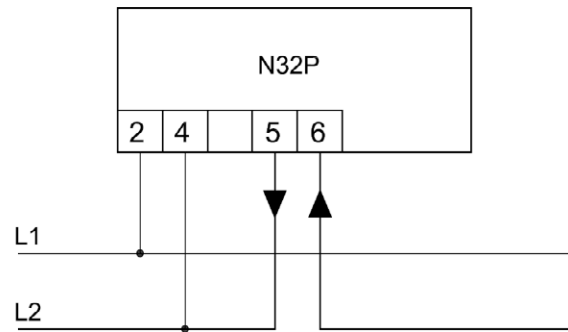
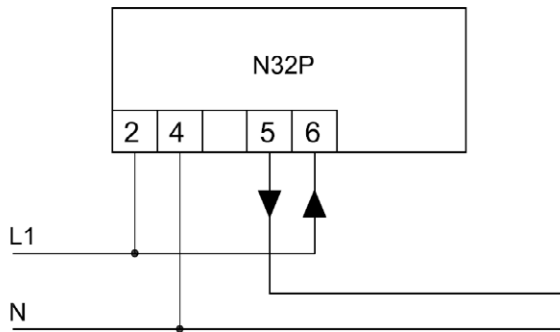
## CONNECTION DIAGRAMS



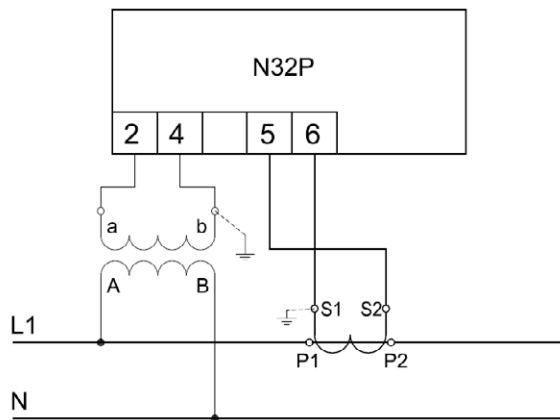
Description of signals on the connection strips

## CONNECTION DIAGRAMS

### Direct measurement



### Indirect measurement



Meter connection

## ORDERING CODE

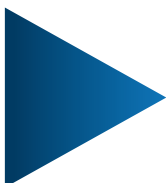
N32P	X	X	XXXXXXX	X	X
<b>Supply:</b>					
85...253 V a.c., 90...300 V d.c.	1				
20...40 V a.c./ 20...60 V d.c.	2				
<b>Dodatkowe wyjścia:</b>					
1 relay output, RS-485	1				
4 relay outputs, RS-485	2				
4 relay outputs, RS-485, 1 analog output	3				
<b>Version:</b>					
standard			0000000		
custom-made*			XXXXXXX		
<b>Language:</b>					
Polish/English				M	
<b>Acceptance tests:</b>					
without additional quality requirements					0
with an extra quality inspection certificate					1
with an extra calibration certificate					2
acc. to customer's request					X

### ORDERING EXAMPLE:

N32P13000000M0 means N32P meter with supply 85...253 V a.c., 90...300 V d.c. with 4 relay outputs, RS-485 interface and 1 analog output, in standard version, polish-english language version, without additional quality requirements.

\* only after agreeing with the manufacturer

N32P-19\_en



**LUMEL**  
EVERYTHING COUNTS

**LUMEL S.A.**  
ul. Słubicka 4, 65-127 Zielona Góra, Poland  
tel.: +48 68 45 75 100, fax +48 68 45 75 508  
www.lumel.com.pl

**Technical support:**  
tel.: (+48 68) 45 75 143, 45 75 141, 45 75 144, 45 75 140  
e-mail: export@lumel.com.pl

**Export department:**  
tel.: (+48 68) 45 75 130, 45 75 131, 45 75 132  
e-mail: export@lumel.com.pl

**Calibration & Attestation:**  
e-mail: laboratorium@lumel.com.pl

## X-ON Electronics

Largest Supplier of Electrical and Electronic Components

*Click to view similar products for [LUMEL manufacturer](#):*

Other Similar products are found below :

[B2 0602K50B0100M0](#) [B2 0604A00A0100M0](#) [B2 060800AB01B3M0](#) [B3 15010A0A0100M0](#) [B3 15060A0D0100M0](#) [B4 0502K00B01B5M0](#) [B5 07575A0D01A2M0](#) [B6 100150AD0100M0](#) [BA271NE4120000](#) [BA271NE4170000](#) [BA391NE4050000](#) [BE271NF4162000](#) [BE271NF4170000](#) [BE271NF4500000](#) [BE391NF4122000](#) [CA39 120000](#) [EA12N C70200000000](#) [EA12N E20700000000](#) [EA12N E21200000000](#) [EA12N E21300000000](#) [EA12N E41600000000](#) [EA12N E41900000000](#) [EA12N E61500000000](#) [EA12N F41300000000](#) [EA16N E20700000A0](#) [EA16N E20900000A0](#) [EA16N E41300000A0](#) [EA16N E41700000A0](#) [EA17N E20800000000](#) [EA17N E21000000000](#) [EA17N E21200000000](#) [EA17N E21400000000](#) [EA17N E40800000000](#) [EA17N E41900000000](#) [EA17N F21000000000](#) [EA19N C70300000000](#) [EA19N E21400000000](#) [EA19N E41600000000](#) [EA19N E42100000000](#) [EA19N E61400000000](#) [EA19N E61500000000](#) [EA19N F21500000000](#) [EB16N E20500000A0](#) [EB16N E20600000A0](#) [EB16N E61300000A0](#) [EB16N E61400000A0](#) [EP27NC7230000](#) [EP27NE7020000](#) [EP27NE7090000](#) [EP27NE7100000](#)