



48 x 48mm

# RE11

## TEMPERATURE CONTROLLER

- 4+4 digits, 7 segment LED Dual high-contrast Display.
- Universal input for TC/ RTD sensors.
- PID, ON-OFF Control.
- Auto-Tuning / Self Tuning.
- Two Set points.
- °C /°F selectable.
- Field selectable Control Output (Relay or SSR).
- Auxiliary Output: Relay.

### DISPLAY SPECIFICATIONS

Display	4+4 digits, 7 Segment LED dual display Height of Upper Display : 15.3mm Height of Lower Display : 8mm
LED Indication	1. Output 1 ON T : Auto tune 2. Output 2 ON S : Dwell timer

### INPUT SPECIFICATIONS

Inputs	Thermocouple (J, K, T, R, S) / RTD (PT100)
Resolution	0.1 / 1° for TC / RTD inputs (fixed 1° for R & S type TC input)
Indication Accuracy	For J, K & T inputs : 0.25% of F.S. ±1° For R & S inputs : 0.5% of F.S. ±2° (20 min of warm up time for TC inputs) For RTD inputs : 0.1% of F.S. ±1° (F.S. = Full Scale)
Temperature Unit	°C / F selectable
Input Filter (FTC)	0.2 to 10.0sec
Sampling time	250 ms

### OUTPUT SPECIFICATIONS

<b>Control Output</b> (Relay or SSR user selectable)	
Relay contact (SPST)	5A resistive @ 250V AC / 30V DC
SSR (Voltage Pulse)	12V DC, 30 mA
<b>Auxiliary Output</b>	
Relay Contact (SPST)	5A resistive @ 250V AC / 30V DC

### FUNCTIONAL SPECIFICATIONS

Control Action	1) PID Control with auto tuning 2) ON-OFF Control
Proportional Band (P)	1.0 to 400.0°
Integral Time (I)	0 to 9999 sec
Derivative Time (D)	0 to 9999 sec
Cycle Time	0.1 to 99.9 sec
Hysteresis Width	0.1 to 99.9°
Manual Reset Value	-19.9 to 19.9°
<b>Heat-cool</b>	
Control Action	PID
Proportional Band-Cool	0.0 to 400.0°
Cycle Time-Cool	0.1 to 99.9 sec
Dead Band	Programmable from set point low limit to set point high limit.
<b>Settings for Alarm Output</b>	
Modes	Deviation, Absolute
Hysteresis	0.1 to 99.9°

### AUXILIARY SUPPLY SPECIFICATIONS

Supply Voltage	85 to 270V AC / DC (50 / 60Hz)
Power Consumption	6 VA max @ 230V AC

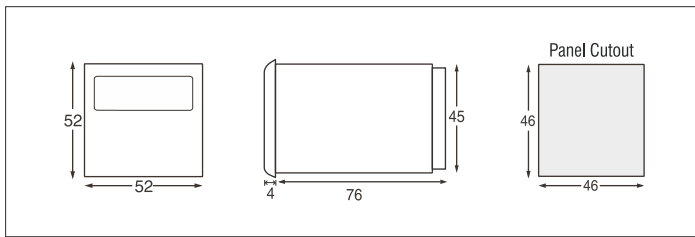
### ENVIRONMENTAL SPECIFICATIONS

Temperature	Operating : 0 to 50°C Storage : -20 to 75°C
Humidity (non - condensing)	95% RH

### MECHANICAL SPECIFICATIONS

Mounting	Panel
Weight	116 g

## Dimensions [mm]



## Ordering Information

PRODUCT CODE	OUTPUT 1	OUTPUT 2	SUPPLY VOLTAGE
RE11	RELAY/ SSR	RELAY	85-270V AC / DC

## Accessories ( Optional )

- Adapter plate
- 1) AP7248 : Plastic adapter plate, used to mount 1/16 DIN (cutout size 48 x 48) Instrument into existing (72 x 72) cutout size.
  - 2) AP9648 : Plastic adapter plate, used to mount 1/16 DIN (cutout size 48 x 48) Instrument into existing (96 x 96) cutout size.
  - 3) AP4896-4848-G-C : Plastic adapter plate, used to mount 1/16 DIN (cutout size 48 x 48) Instrument into existing (48 x 96) cutout size.

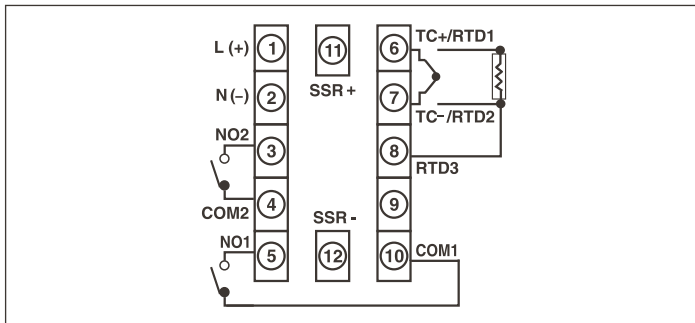
## Mounting Accessories (Supplied with units)

For 48 X 48 Collar clamp      ACL4802

## Input Sensor Ranges

Sensor type	Resolution	Ranges	
		1	0.1
Pt100	°C	-150 to 850	-150 to 850
	°F	-238 to 1562	-199 to 999
J	°C	-199 to 750	-199 to 750
	°F	-328 to 1382	-199 to 999
K	°C	-199 to 1350	-199 to 999
	°F	-328 to 2462	-199 to 999
T	°C	-199 to 400	-199 to 400
	°F	-328 to 750	-199 to 750
R & S	°C	0 to 1750	-
	°F	32 to 3182	-

## Terminal Connections



## Compliance

### Applicable EMI / EMC Standards

Product Standard : IEC 61326-1

Category		Standards Compliance
ESD Immunity	IEC 61000-4-2	Level III
Surge Immunity	IEC 61000-4-5	+/- 2 kV common mode, +/- 1 kV differential mode
Radiated Susceptibility	IEC 61000-4-3	Level III, 80 to 1000MHz Level II, 1.4GHz to 2GHz Level I, 2GHz to 2.7GHz
Conducted Susceptibility	IEC 61000-4-6	Level II
Voltage Dips and Interruptions	IEC 61000-4-11	<b>Dips</b> : 0% residual voltage / 1 cycle (Criteria B), 40% residual voltage / 10 cycles 50Hz / 12 cycles 60Hz (Criteria C) 70% residual voltage / 25 cycles 50Hz / 30 cycles 60Hz (Criteria C) <b>Interruptions</b> : 0% residual voltage / 250 cycles 50Hz / 300 cycles 60Hz (Criteria C)
Conducted Emission	CISPR-11	
Radiated Emission	CISPR-11	
Electrical Fast Transient	IEC 61000-4-4	Level III

## X-ON Electronics

Largest Supplier of Electrical and Electronic Components

*Click to view similar products for [LUMEL manufacturer](#):*

Other Similar products are found below :

[ATS 100](#) [ATS 200](#) [ATS 300](#) [ATS 400](#) [ATS 500](#) [B2 060100AA0100M0](#) [B2 06010A0A0100M0](#) [B2 060120AA01A2M0](#) [B2 06015A0A0100M0](#) [B2 060160AA01A2M0](#) [B2 0601A00A0100M0](#) [B2 0601K00B0100M0](#) [B2 060200AB01B1M0](#) [B2 0602K50B0100M0](#) [B2 06030A0A01A1M0](#) [B2 06040A0A0100M0](#) [B2 0604A00A0100M0](#) [B2 06050A0A01A2M0](#) [B2 0605A00A01A1M0](#) [B2 0606A00A0100M0](#) [B2 060800AB01B3M0](#) [B3 15010A0A0100M0](#) [B3 150200AD01A2M0](#) [B3 15025A0A0100M0](#) [B3 15050A0D01A2M0](#) [B3 1505A00A01A1M0](#) [B3 15060A0D0100M0](#) [B4 0502K00B01B5M0](#) [B4 05050A0D01A2M0](#) [B5 075300AB01B1M0](#) [B5 07575A0D01A2M0](#) [B6 10010A0A0100M0](#) [B6 100150AD0100M0](#) [B6 10020A0A01A1M0](#) [B6 10050A0D01A2M0](#) [BA271NE4120000](#) [BA271NE4160000](#) [BA271NE4170000](#) [BA391NE4050000](#) [BE271NF4162000](#) [BE271NF4170000](#) [BE271NF4500000](#) [BE391NF4122000](#) [CA39 120000](#) [EA12N C70100000000](#) [EA12N C70200000000](#) [EA12N E20700000000](#) [EA12N E21000000000](#) [EA12N E21200000000](#) [EA12N E21300000000](#)