

RE72 TEMPERATURE CONTROLLER

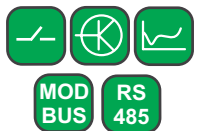
FEATURES:



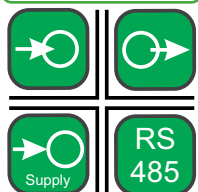
INPUTS:



OUTPUTS:

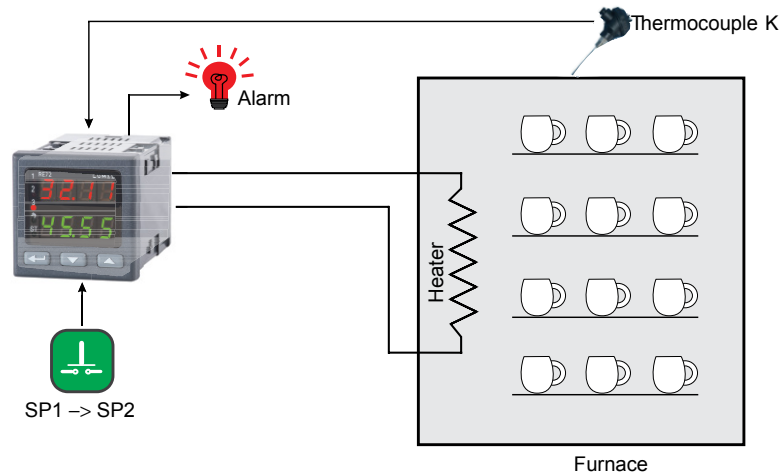


GALVANIC ISOLATION:



- Universal measuring input.
- Binary input control.
- Set point value: fixed value, programmed or from an additional input.
- On/off, PID, PID step-by-step control (valve control) or PID of heating-cooling type.
- Soft start.
- 8 types of alarms.
- Function of bistable alarm (LATCH).
- Timer function.
- Measurement of heater current and heater burning control or short-circuit of the control element (e.g. SSR).

EXAMPLE OF APPLICATION



Control of ceramics burning process.

INPUT

Input type	Range	Error
Pt100	-200 .. 850°C	0.2%
Pt1000	-200 .. 850°C	0.2%
Fe-CuNi (J)	-100 .. 1200°C	0.3%
Cu-CuNi (T)	-100 .. 400°C	0.3%
NiCr-NiAl (K)	-100 .. 1372°C	0.3%
PtRh10-Pt (S)	0 .. 1767°C	0.5%
PtRh13-Pt (R)	0 .. 1767°C	0.5%
PtRh30-PtRh6 (B)	200 .. 1767°C	0.5%
NiCr-CuNi (E)	-100 .. 1000°C	0.3%
NiCrSi-NiSi (N)	-100 .. 1300°C	0.3%
chromel-kopel (L)	-100 .. 800°C	0.3%
Current channels (I)	0/4 .. 20 mA	0.2% +/- 1 digit
Voltage channels (U)	0 .. 5/10 V	0.2% +/- 1 digit

OUTPUTS

Output type	Properties	Load capacity
Voltageless relay output	NO contact	2 A/ 230 V a.c. (out. 1 and 2) 1 A/ 230 V a.c. (out. 3)
Voltage transistor output	0/5 V	max 40 mA
Continuous voltage output	0 .. 10 V	at $R_{load} \geq 1 \text{ k}\Omega$
Continuous current output	0 .. 20 mA, 4 .. 20 mA	at $R_{load} \leq 500 \Omega$

DIGITAL INTERFACE

Interface type	RS-485	Mode
Protocol	Modbus RTU	8N2, 8E1, 8O1, 8N1
Transmission rate	4.8, 9.6, 19.2, 38.4, 57.6 kbit/s	

Export department:
+48 68 45 75 139 / 233/
321/ 368
Fax: +48 68 32 54 091
e-mail: export@lumel.com.pl

LUMEL S.A.
ul. Sulechowska 1
65-022 Zielona Góra
POLAND
WWW.LUMEL.COM.PL

EXTERNAL FEATURES

Readout field	2 x 4 digits	digit height: 10 mm, red and green colours
Dimensions	48 x 48 x 93 mm	
Weight	< 0.2 kg	
Protection grade	from frontal plate: IP65	from terminal side: IP20

RATED OPERATING CONDITIONS

Supply voltage	85 .. 253 V a.c./ d.c.	20 .. 40 V a.c./d.c.
Temperature	ambient: 0...23...50°C	storage: -20...70°C
Relative humidity	< 85%	(without condensation of water vapour)
Operating position	any	

SAFETY AND COMPATIBILITY REQUIREMENTS

Electromagnetic compatibility	noise immunity	acc. to EN 61000-6-2
	noise emissions	acc. to EN 61000-6-4
Pollution level	2	
Installation category	III	
Maximal phase-to-earth operating voltage	supply, output: 300 V	input circuits: 50 V
Altitude above sea level	2000 m	

CONNECTION DIAGRAMS

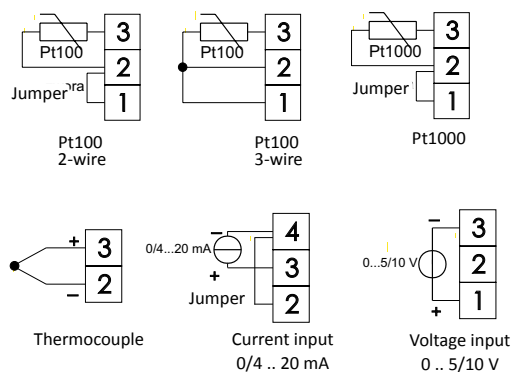


Fig. 1. Input signals.

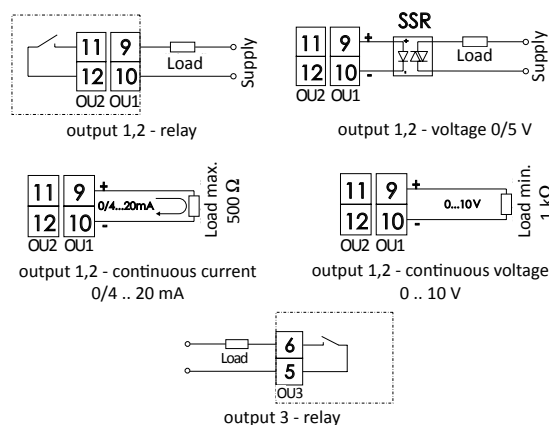


Fig. 2. Control/alarm outputs.

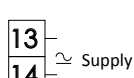


Fig. 3. Supply.

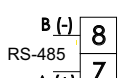


Fig. 4. Interface RS-485



Fig. 5. Transducer supply.



Fig. 6. Binary input.

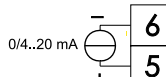


Fig. 7. Additional input.

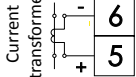


Fig. 8. Current transformer input.

ORDERING

RE72 -	X	X	X	X	X	X	X
Output 1:							
relay	1						
voltage: 0/5 V	2						
continuous current: 0/4 .. 20 mA	3						
continuous voltage: 0 .. 10 V	4						
Output 2:							
relay ¹⁾	1						
voltage: 0/5 V	2						
continuous current: 0/4 .. 20 mA	3						
continuous voltage: 0 .. 10 V	4						
Options:							
none	0						
output 3 - relay	1						
binary input	2						
current transformer input ²⁾	3						
additional current input: 0/4 .. 20 mA	4						
transducer supply: 24 V d.c. 1 W	5						
Supply:							
85 .. 253 V a.c./ d.c.						1	
20 .. 40 V a.c./ d.c.						2	
Version:							
standard						00	
custom-made ³⁾						XX	
Language version:							
Polish							P
English							E
other ³⁾							X
Acceptance tests:							
without extra quality requirements							0
with an extra quality inspection certificate							1
according to customer's request ³⁾							X

- 1) - only, when a relay is also selected on the output 1
 2) - only, when a relay or voltage output 0/5 V is also selected
 3) - only, after agreeing with the manufacturer

Ordering example:

The code: **RE72 - 1 2 2 1 00 E 0** means:
RE72 - temperature controller of RE72 type
1 - output 1: relay
2 - output 2: voltage 0/5 V
2 - option with binary input
1 - supply: 85 .. 253 V a.c./ d.c.
00 - standard version
E - documentation and descriptions in English version
0 - without extra quality requirements.

For more information about LUMEL's products please visit our website:
www.lumel.com.pl

Export department:
 +48 68 45 75 139 / 233/ 321/ 368
 Fax: +48 68 32 54 091
 e-mail: export@lumel.com.pl

LUMEL S.A.
 ul. Sulechowska 1
 65-022 Zielona Góra
 POLAND
WWW.LUMEL.COM.PL

X-ON Electronics

Largest Supplier of Electrical and Electronic Components

Click to view similar products for [Temperature Sensor Modules](#) category:

Click to view products by [LUMEL](#) manufacturer:

Other Similar products are found below :

[HPP809A031](#) [MBT 3560-0000-0050-10-110](#) [MBT 3560-0000-0100-10-110](#) [MBT 3560-0001-0050-10-120](#) [MBT 3560-0001-0100-10-120](#)
[TCN4L-22R](#) [TX4H-14R](#) [TX4H-24R](#) [TX4H-A4R](#) [TX4H-B4R](#) [TX4L-14R](#) [TX4L-A4R](#) [TX4L-B4R](#) [TX4M-14R](#) [TX4M-24R](#) [TX4M-A4R](#)
[TX4M-B4R](#) [QP99](#) [CP-02](#) [CP82](#) [CP99](#) [R38-LAOO](#) [R38-LARR](#) [72-11304023-0150.0050](#) [72-11304027-0150.0050](#) [72-23304003-](#)
[0150.0050.GGP](#) [72-23904001-0300.0040.TM](#) [72-34904001-0300.0040.TM](#) [TEM 73 A](#) [AT403-414-1000](#) [AT403-614-1000](#) [AT-503-1141-000](#)
[AT-503-1161-000](#) [AT-503-6140-000](#) [AT-603-1141-000](#) [AT603-414-1000](#) [AT-903-1161-000](#) [ATR121-AD](#) [ATR121-B](#) [TPMC-5](#) [TPMC-8W](#)
[K39-HCRR](#) [K39T-HCRR](#) [K49-HCRR](#) [K49P-HCRR](#) [K85-HERR](#) [KR1-LCRR-D](#) [LHI874](#) [LHI944](#) [LHI968](#)