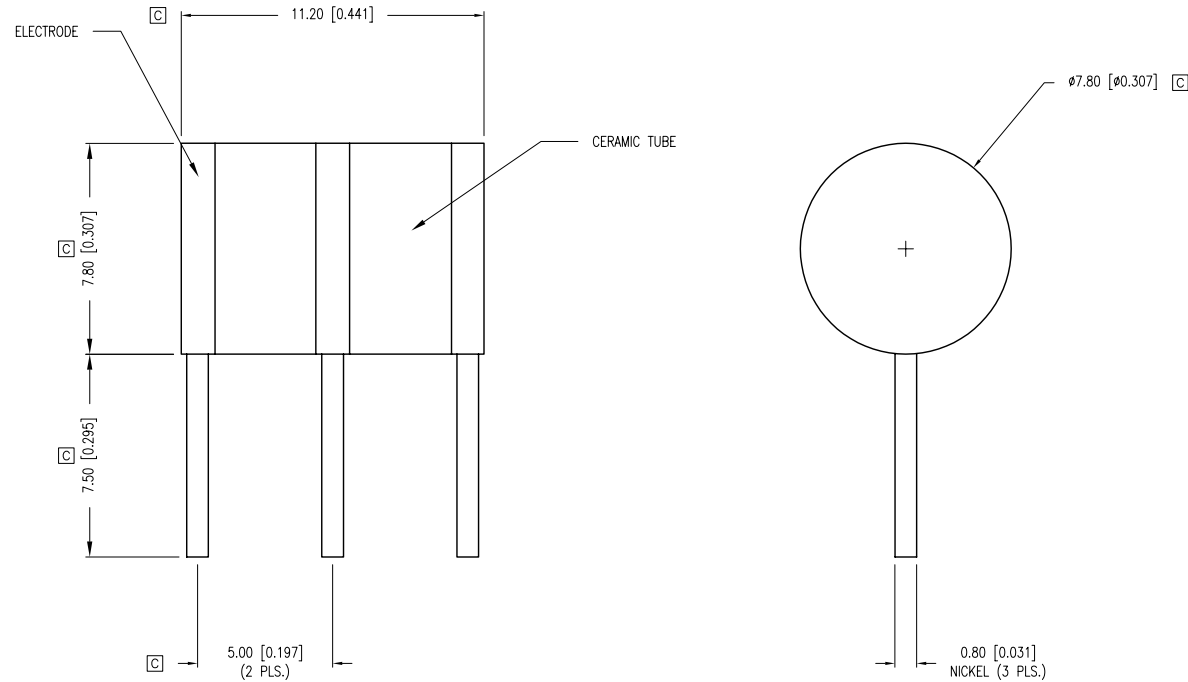


PART NUMBER	GT-CM3090L	REV.	D
DATE	E.C.N. NUMBER AND REVISION COMMENTS		REV.
12.22.95	E.C.N. #10107./		A
08.20.99	E.C.N. #10BRDR. & REDRAWN.		B
09.23.02	E.C.N. #10BRDR. & 10912.		C
12.11.06	E.C.N. #11148.		D



ELECTRICAL SPECIFICATIONS		
PARAMETER	VALUE	TEST CONDITION
DC FIRING VOLTAGE	90V±20% DC	(dv/dt 100V/S)
IMPULSE FIRING VOLTAGE	450V DC MAX.	(dv/dt 100V/μS)
IMPULSE CURRENT	10KA MAX.	(8/20μS)
DC HOLDOVER VOLTAGE	50V DC MAX	(10/1000μS) 500A
AC DISCHARGE CURRENT	65A	(50Hz, 9 CYCLES)
INSULATION RESISTANCE	10 <sup>4</sup> MΩ MIN	(50 OR 100VDC)
INTER-ELECTRODE CAPACITANCE	2.D PF MAX	1.0kHz

ENVIRONMENTAL SPECIFICATIONS PER MIL-STD 202			
TEST	METHODE	CONDITION	RATING
VIBRATION TESTING	204B	C	10-55Hz, .06DA
SHOCK	213A	C	100G
HUMIDITY	103B	B	95%RE HUMIDITY
TEMPERATURE CYCLING	102A	C	-65 TO +125°C
BAROMETRIC PRESSURE	105C	B	50,000 FT
THERMAL SHOCK	107	B	-65 TO +125°C
SOLDERABILITY	208	B	

RESPONSE TIME	
SURGE TYPE	(Rt MAX)
1kv/mS	1 x 10 <sup>-8</sup> SEC
1kv/μS	1 x 10 <sup>-8</sup> SEC
5kv/μS	1 x 10 <sup>-8</sup> SEC

NOTES:

- CENTER TO CENTER LEAD SPACING IS MEASURED AT 1.0mm FROM BOTTOM OF THE CERAMIC BODY.

\*UNLESS OTHERWISE SPECIFIED TOLERANCES PER DECIMAL PRECISION ARE: X=±1 (±0.039), X.X=±0.5 (±0.020), X.XX=±0.25 (±0.010), X.XXX=±0.127 (±0.005). LEAD SIZE=±0.05 (±0.002), LEAD LENGTH=±0.75 (±0.030). MIN= <sup>+DECIMAL PRECISION</sup> -0.00 MAX.= <sup>+0.00</sup> -DECIMAL PRECISION UNCONTROLLED DOCUMENT

**LUMEX**  
 Creating LED and LCD Solutions Together™  
 290 E. HELEN ROAD  
 PALATINE, IL 60067-6976  
 PHONE: +1.847.359.2790  
 FAX: +1.847.359.6538  
 WEB: WWW.LUMEX.COM

T8 x 11 CERAMIC ARRESTOR, 3 LEADED, 90V DC.  
 \*\*THE SPECIFICATIONS MAY CHANGE AT ANY TIME WITHOUT NOTICE DUE TO NEW MATERIALS OR PRODUCT IMPROVEMENT.\*\*  
 CONFIDENTIAL INFORMATION  
 THE INFORMATION CONTAINED IN THIS DOCUMENT IS THE PROPERTY OF LUMEX INC. EXCEPT AS SPECIFICALLY AUTHORIZED IN WRITING BY LUMEX INC., THE HOLDER OF THIS DOCUMENT SHALL KEEP ALL INFORMATION CONTAINED HEREIN CONFIDENTIAL AND SHALL PROTECT SAME IN WHOLE OR IN PART FROM DISCLOSURE AND DISSEMINATION TO ALL THIRD PARTIES.

DATE:	12.11.06	DRAWN BY:	JC
PAGE:	1 OF 1	CHKD BY:	SS
SCALE:	N/A	APRVD BY:	JD
UNIT:	mm [INCH]		Ⓟ

## X-ON Electronics

Largest Supplier of Electrical and Electronic Components

*Click to view similar products for [Gas Discharge Tubes - GDTs / Gas Plasma Arrestors](#) category:*

*Click to view products by [Lumex](#) manufacturer:*

Other Similar products are found below :

[PMT1023004](#) [PMT1025001](#) [PMT1035004](#) [PMT1040004](#) [PMT809006](#) [CG2250](#) [CG31.5L](#) [GT-SMD181240012-TR](#) [WPGT-2N145B6L](#)  
[WPGT-2N230B6L](#) [WPGT-2N470B6L](#) [WPGT-2R470B6L](#) [WPGT-2RM230A6L](#) [WPGT-2RM350A6L](#) [WPGT-2RM70A6L](#) [WPGT-](#)  
[2RM90A6L](#) [WPGT-2S145](#) [WPGT-2S350](#) [WPGT-2S470](#) [WPGT-3R350CF](#) [WPGT-3R350G1](#) [WPGT-3R90G1](#) [WPGT-3R75G1](#) [WPGT-](#)  
[3R470G1](#) [WPGT-3R250C](#) [WPGT-3R230G1](#) [WPGT-2S230](#) [WPGT-2RM470A6L](#) [WPGT-2RM145A6L](#) [WPGT-2R3000B8L](#) [WPGT-](#)  
[2R2700B8L](#) [WPGT-2R1000B8L](#) [WPGT-2N90B6L](#) [WPGT-2N70B6L](#) [WPGT-2N350B6L](#) [WPGT-2N230B6L1](#) [CG90](#) [GT-SMD181215012-](#)  
[TR](#) [T61-C350X](#) [9071.99.0547 \(73\\_Z-0-0-547\)](#) [B88069X6940B152](#) [2RK1000M-4](#) [2RH2500L-8](#) [2RM230L-8](#) [2RM250L-8](#) [BK22002502-M](#)  
[3RL075M-6](#) [2RM1000L-8](#) [SXH81-302X](#) [SXH81-362X](#)