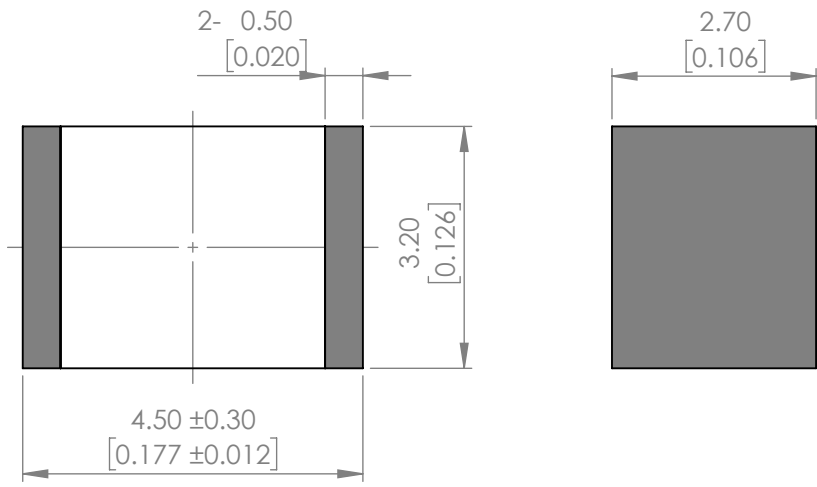
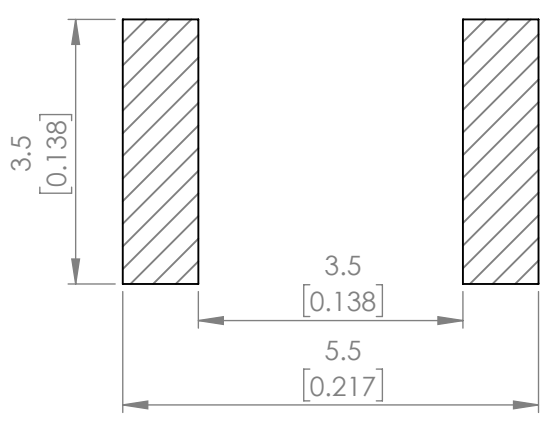


| | | | | |
|-------------|------------------------------|--------------------|----------|---|
| PART NUMBER | | GT-SMD181240012-TR | REV. | D |
| REV. | E.C.N. AND REVISION COMMENTS | | DATE | |
| A | E.C.N #11148. | | 12.19.06 | |
| B | E.C.N #11622. | | 02.24.09 | |
| C | E.C.N #11837. | | 10.22.12 | |
| D | ECN-Lumex201800015 | | 02.12.18 | |



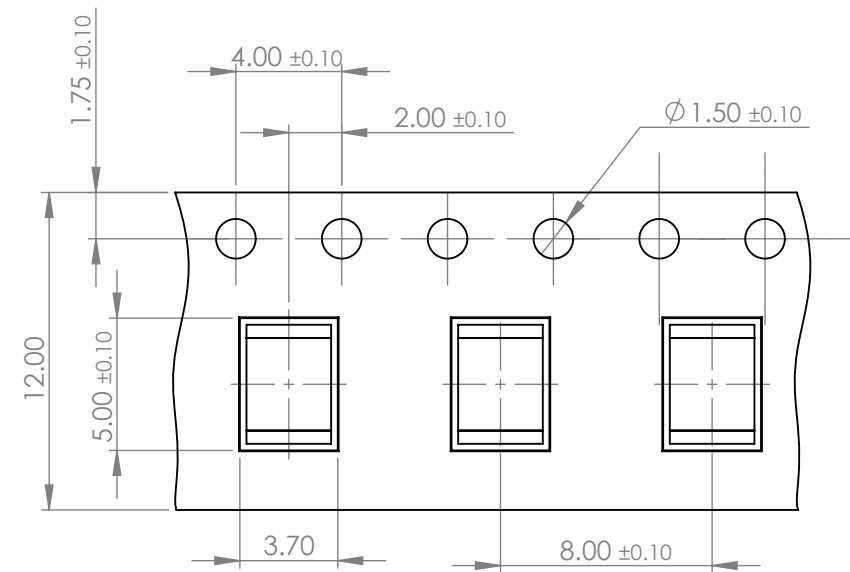
RECOMMENDED SOLDER PAD LAYOUT



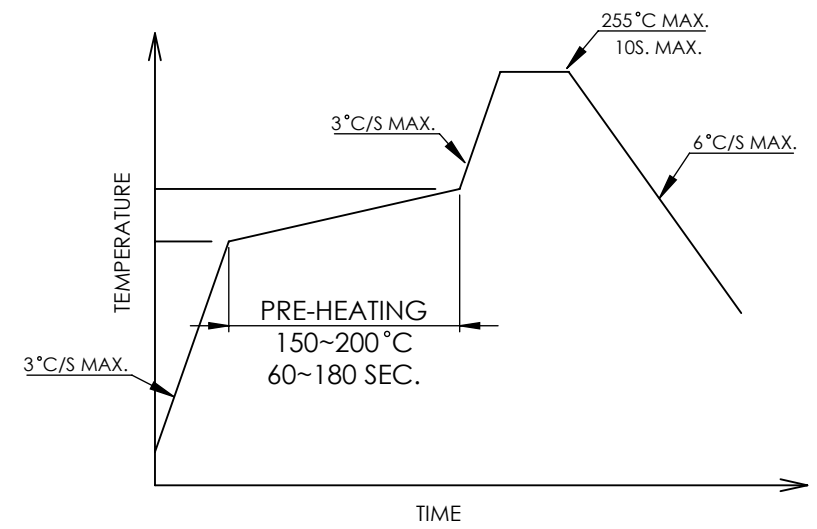
ELECTRICAL CHARACTERISTIC TA=25°C

| PARAMETER | VALUE | UNITS | TEST COND |
|-------------------------------------|----------------|-------|-----------|
| D.C. BREAKDOWN | 400±20% | V | 100V/s |
| IMPLUSE DISCHARGE CURRENT | 1K | A | 8/20µs |
| IMPLUSE SPARK-OVER VOLTAGE | 900 MAX. | V | At 1kV/µs |
| INSULATION RESISTANCE | 1 MIN. | GΩ | DC=100V |
| INTER-ELECTRODE CAPACITANCE AT 1MHZ | 0.5 MAX. | pF | Vdc=0.5V |
| ARC VOLTAGE | ~8 | V | AT 1A |
| OPERATING TEMPERATURE | -40~90 | °C | - |
| STORAGE TEMPERATURE | -40~90 | °C | - |
| SOLDERING TEMPERATURE | 4SEC MAX @ 250 | °C | - |

CARRIER TAPE DIMENSION



PROFILE



NOTE:

- 1. PACKAGE : 2000 PCS/REEL

*UNLESS OTHERWISE SPECIFIED TOLERANCES PER DECIMAL PRECISION ARE: X=±1 (±0.039), X.X=±0.5 (±0.020), X.XX=±0.25 (±0.010), X.XXX=±0.127 (±0.005). LEAD SIZE=±0.05 (±0.002), LEAD LENGTH=±0.75 (±0.030). MIN= ^{+DECIMAL PRECISION}/_{-0.00} MAX.= ^{+0.00}/_{-DECIMAL PRECISION}

X-ON Electronics

Largest Supplier of Electrical and Electronic Components

Click to view similar products for [Gas Discharge Tubes - GDTs / Gas Plasma Arrestors](#) category:

Click to view products by [Lumex](#) manufacturer:

Other Similar products are found below :

[PMT1023004](#) [PMT1025001](#) [PMT1035004](#) [PMT1040004](#) [PMT809006](#) [CG2250](#) [CG31.5L](#) [GT-SMD181240012-TR](#) [WPGT-2N145B6L](#)
[WPGT-2N230B6L](#) [WPGT-2N470B6L](#) [WPGT-2R470B6L](#) [WPGT-2RM230A6L](#) [WPGT-2RM350A6L](#) [WPGT-2RM70A6L](#) [WPGT-](#)
[2RM90A6L](#) [WPGT-2S145](#) [WPGT-2S350](#) [WPGT-2S470](#) [WPGT-3R350CF](#) [WPGT-3R350G1](#) [WPGT-3R90G1](#) [WPGT-3R75G1](#) [WPGT-](#)
[3R470G1](#) [WPGT-3R250C](#) [WPGT-3R230G1](#) [WPGT-2S230](#) [WPGT-2RM470A6L](#) [WPGT-2RM145A6L](#) [WPGT-2R3000B8L](#) [WPGT-](#)
[2R2700B8L](#) [WPGT-2R1000B8L](#) [WPGT-2N90B6L](#) [WPGT-2N70B6L](#) [WPGT-2N350B6L](#) [WPGT-2N230B6L1](#) [CG90](#) [GT-SMD181215012-](#)
[TR](#) [T61-C350X](#) [9071.99.0547 \(73_Z-0-0-547\)](#) [B88069X6940B152](#) [2RK1000M-4](#) [2RH2500L-8](#) [2RM230L-8](#) [2RM250L-8](#) [BK22002502-M](#)
[3RL075M-6](#) [2RM1000L-8](#) [SXH81-302X](#) [SXH81-362X](#)