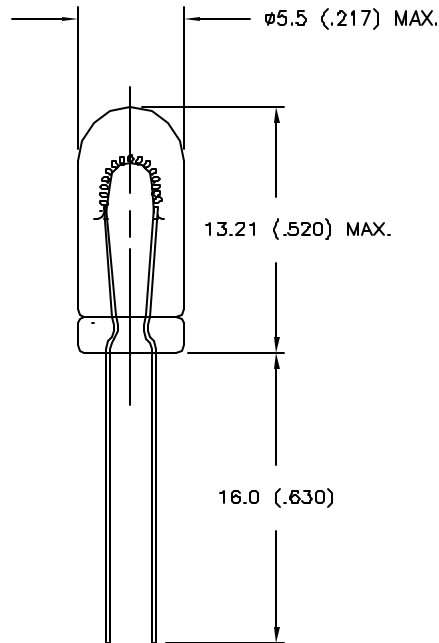


UNCONTROLLED DOCUMENT

PART NUMBER		REV.
IFL-LX2162-16T		B

REV.	E.C.N. NUMBER AND REVISION COMMENTS	DATE
A	E.C.N. #10347.	5.20.97
B	E.C.N. #11148.	12.28.06



ELECTRO-OPTICAL SPECIFICATIONS

OPERATING VOLTAGE VAC OR VDC:	13-15 V
DESIGN VOLTAGE VDC OR VAC:	14
CURRENT DRAW @ DESIGN VOLTS:	100mA
M.S.C.P. @ DESIGN VOLTS:	.50 MSCP
AVERAGE LIFE @ DESIGN VOLTS:	10,000 HRS.

MECHANICAL SPECIFICATIONS

BULB SIZE AND SHAPE:	T5.8 TUBULAR
BULB GLASS TYPE:	KG12 SEMI SOFT
BASE OR LEAD FINISH:	TINNED
FILAMENT SHAPE:	C-2F
L.C.L. IF APPLICABLE:	N/A
MANUFACTURING PSS:	IFL/T 5.8 WTWL

ENVIRONMENTAL SPECIFICATIONS

VIBRATION TESTING:	MIL-E-5400N, GRAPH IV
SHOCK TEST:	MIL-STD-883 METHOD 2002 TEST CON A
OPERATING TEMPERATURE:	-50 TO +100 °C
STORAGE TEMPERATURE: <u>NOTES:</u>	-50 TO +125 °C
SOLDERABILITY OF LEADS:	MIL-STD 202F, METHOD 208D



UNCONTROLLED DOCUMENT

*UNLESS OTHERWISE SPECIFIED TOLERANCES PER DECIMAL PRECISION ARE: X=±1 (±0.038), XX=±0.5 (±0.020), XXX=±0.25 (±0.010), XXXX=±0.127 (±0.005). LEAD SIZE=±0.05 (0.002), LEAD LENGTH=±0.75 (±0.030). MIN= +DECIMAL PRECISION MAX= +0.00 -DECIMAL PRECISION

REV.	PART NUMBER
B	IFL-LX2162-16T
T-1 3/4 WIRE TERMINAL LAMP WITH 16mm LEADS.	

CONFIDENTIAL INFORMATION
 THE INFORMATION CONTAINED IN THIS DOCUMENT IS THE PROPERTY OF LUMEX INC. EXCEPT AS SPECIFICALLY AUTHORIZED IN WRITING BY LUMEX INC., THE HOLDER OF THIS DOCUMENT SHALL KEEP ALL INFORMATION CONTAINED HEREIN CONFIDENTIAL AND SHALL PROTECT SAME IN WHOLE OR IN PART FROM DISCLOSURE AND DISSEMINATION TO ALL THIRD PARTIES.

RELIABILITY NOTE
 OUR MANY YEARS OF EXPERIENCE DATA ACCUMULATION INDICATE THAT SOLDER HEAT IS A MAJOR CAUSE OF EARLY AND FUTURE FAILURE. PLEASE PAY ATTENTION TO YOUR SOLDERING PROCESS.

		290 E. HELEN ROAD PALATINE, IL 60067-6976 PHONE: +1.847.359.2790 US WEB: www.lumex.com TW WEB: www.lumex.com.tw
DRAWN BY:	CHECKED BY:	APPROVED BY:
JC		
DATE: 5.20.97		PAGE: 1 OF 1
SCALE: N/A		

X-ON Electronics

Largest Supplier of Electrical and Electronic Components

Click to view similar products for [Lamps category](#):

Click to view products by [Lumex manufacturer](#):

Other Similar products are found below :

[5AB](#) [6180](#) [8623](#) [912](#) [120PS](#) [1224](#) [DE603](#) [DW50](#) [IFL-LX2162-16T](#) [C9A](#) [C9A](#) [3015](#) [303](#) [19](#) [PR13](#) [268](#) [GT-NE6H1225T](#) [CM5004WW](#)
[32-2211T](#) [323](#) [509K](#) [5314N1](#) [5314N2](#) [WWT1-EW10/GRN](#) [4925H1](#) [DW07](#) [10C7DC-120V](#) [1141](#) [MS25231-313](#) [E73](#) [CM2](#) [7683EBP](#) [8553](#)
[XE135B](#) [WWT2-EW34BLA](#) [6S6/30V](#) [7367](#) [1301910036](#) [7A1H](#) [8630FBBB](#) [WT3F-20](#) [85](#) [106](#) [105](#) [BGF717-UV1](#) [1974D](#) [1495](#) [373](#) [400](#)
[502](#)