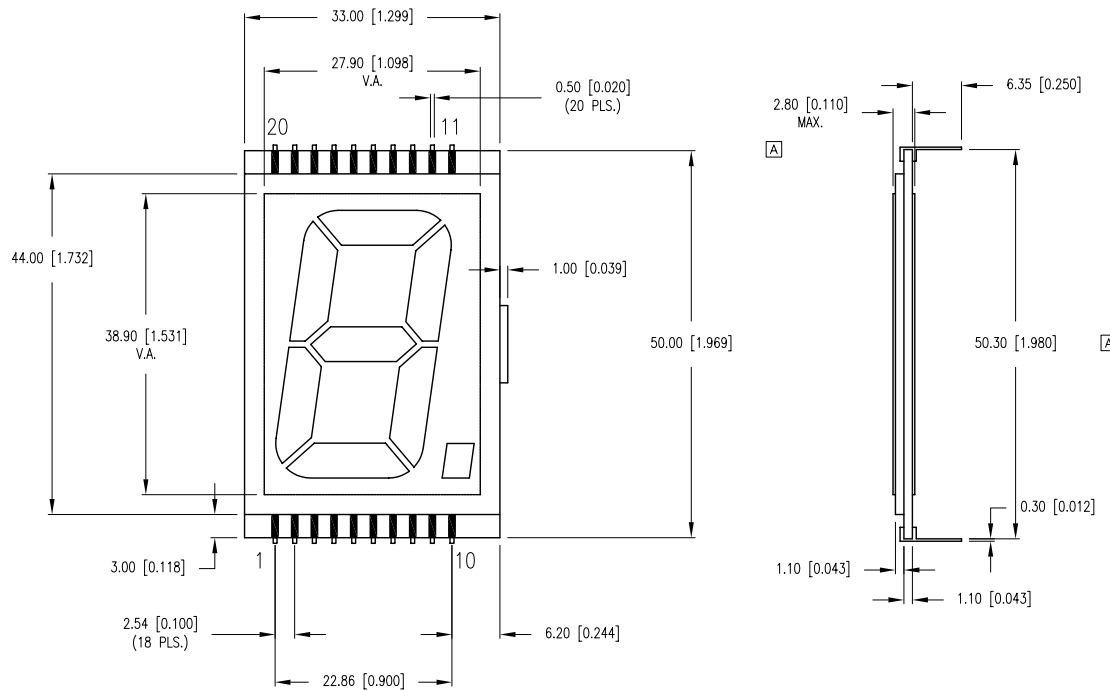
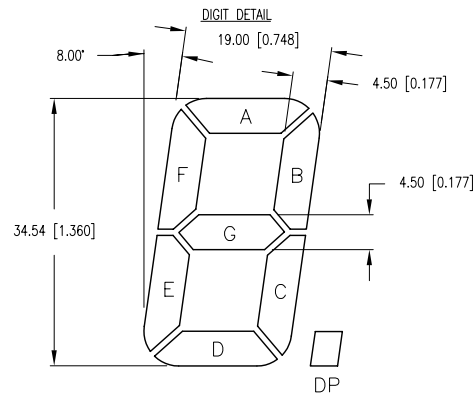


PART NUMBER	LCD-S101D14TR	REV.	C
DATE	E.C.N. NUMBER AND REVISION COMMENTS		REV.
10.24.01	E.C.N. #10800 & #10BRDR.		A
02.07.07	E.C.N. #11148.		B
12.14.11	E.C.N. #10BRDR. & REDRAWN.		C



CHARACTERISTICS	
FLUID TYPE:	TN
BACKGROUND COLOR:	GRAY
VIEWING DIRECTION:	6:00
DISPLAY MODE:	REFLECTIVE
OPERATING VOLTAGE:	5.0 V A.C.
OPERATING TEMP.	0°C TO 50°C
STORAGE TEMP.	-20°C TO 70°C
DRIVING METHODE:	STATIC
CONNECTION TYPE:	20 PINS



PIN#	SEG.
1-2	COM.
3-4	E
5-6	D
7-8	C
9-10	DP
11-12	G
13-14	B
15-16	A
17-18	F
19-20	COM.

REPLACES PART #LCD-S136C101TR

*UNLESS OTHERWISE SPECIFIED TOLERANCES PER DECIMAL PRECISION ARE: X=±1 (±0.039), X.X=±0.5 (±0.020), X.XX=±0.25 (±0.010), X.XXX=±0.127 (±0.005). LEAD SIZE=±0.05 (±0.002), LEAD LENGTH=±0.75 (±0.030). MIN.= +DECIMAL PRECISION MAX.= +0.00 -DECIMAL PRECISION

LUMEX
 Creating LED and LCD Solutions Together.™
 290 E. HELEN ROAD
 PALATINE, IL 60067-6976
 PHONE: +1.847.359.2790
 FAX: +1.847.359.6538
 WEB: WWW.LUMEX.COM

1.36" CHAR HEIGHT, 1 DIGIT LCD GLASS, TN, REFLECTIVE, 20 PINS.
 THE SPECIFICATIONS MAY CHANGE AT ANY TIME WITHOUT NOTICE DUE TO NEW MATERIALS OR PRODUCT IMPROVEMENT.
 CONFIDENTIAL INFORMATION
 THE INFORMATION CONTAINED IN THIS DOCUMENT IS THE PROPERTY OF LUMEX INC. EXCEPT AS SPECIFICALLY AUTHORIZED IN WRITING BY LUMEX INC., THE HOLDER OF THIS DOCUMENT SHALL KEEP ALL INFORMATION CONTAINED HEREIN CONFIDENTIAL AND SHALL PROTECT SAME IN WHOLE OR IN PART FROM DISCLOSURE AND DISSEMINATION TO ALL THIRD PARTIES.

DATE:	12.14.11	DRAWN BY:	AB
PAGE:	1 OF 1	CHKD BY:	JD
SCALE:	NTS	APRVD BY:	SS
UNIT:	mm [INCH]		Ⓟ

X-ON Electronics

Largest Supplier of Electrical and Electronic Components

Click to view similar products for [LCD Numeric Display Modules](#) category:

Click to view products by [Lumex](#) manufacturer:

Other Similar products are found below :

[LCD-H401C52TR](#) [LCD-S401C71TF-1](#) [LCD-S401M14TF](#) [LCD-S301C31TR-3](#) [LCD-S401M16TF](#) [VIM-878-DP-RHW](#) [LCD-H401M16KR](#)
[VI-451-2-RC-S](#) [LCD-H401C52TF](#) [VIM-332](#) [DE 128-TU-20/7,5](#) [VIM-516-DP-RC-S-LV](#) [DE 112-TS-20/7,5/M](#) [DE 113-RS-20/12,2/M](#) [DE 113-RS-20/8,4/V](#) [DE 115-RS-20/7,5/V](#) [DE 117-RS-20/7,5/V](#) [DE 119-RS-20/7,5/M](#) [DE 119-TU-30/12,2/V](#) [DE 119-TU-30/8,4/V](#) [DE 122-RS-20/6,35/V](#) [DE 123-RS-20/6,35/V](#) [DE 123-TU-30/7,5/M](#) [DE 125-RS-20/7,5/M](#) [DE 127-RS-20/6,35/M](#) [DE 129-RS-20/12,2/V](#) [DE 130-RS-20/7,5/V](#) [DE 130-TS-20/7,5/M](#) [DE 156-RU-30/7,5/V](#) [DE 156-TU-30/7,5/V](#) [DE 158-TU-30/8,4](#) [DE 159-RS-20/7,5/V](#) [DE 160-RS-20/7,5/M](#) [DE 325-RS-20/8,4/V \(3 VOLT\)](#) [DE 126-RS-20/7,5/M](#) [DE 112-RS-20/6,35/V](#) [DE 113-RS-20/6,35/M](#) [DE 113-TS-20/7,5/M](#) [DE 114-RS-20/6,35/M](#) [DE 114-RS-20/7,5/V](#) [DE 117-TS-20/7,5/V](#) [DE 118-RS-20/6,35/M](#) [DE 119-RS-20/6,35/M](#) [DE 119-TS-20/7,5/V](#) [DE 120-RS-20/7,5/V](#) [DE 120-TS-20/7,5/M](#) [DE 121-RS-20/7,5/M](#) [DE 122-TU-30/12,2/V](#) [DE 131-RU-20/8,4](#) [DE 131-TU-30/6,35/M](#)