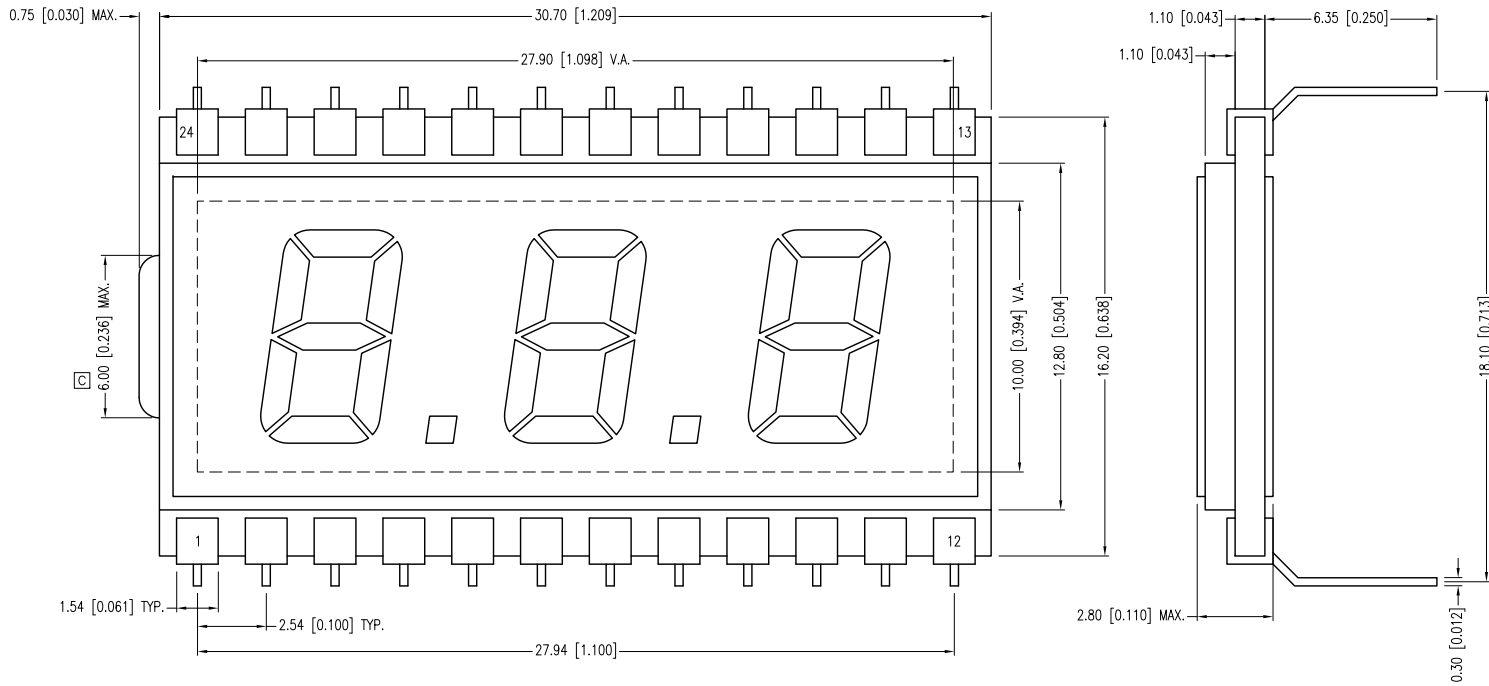


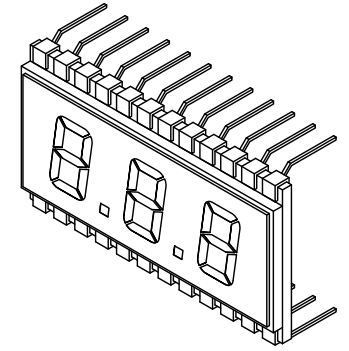
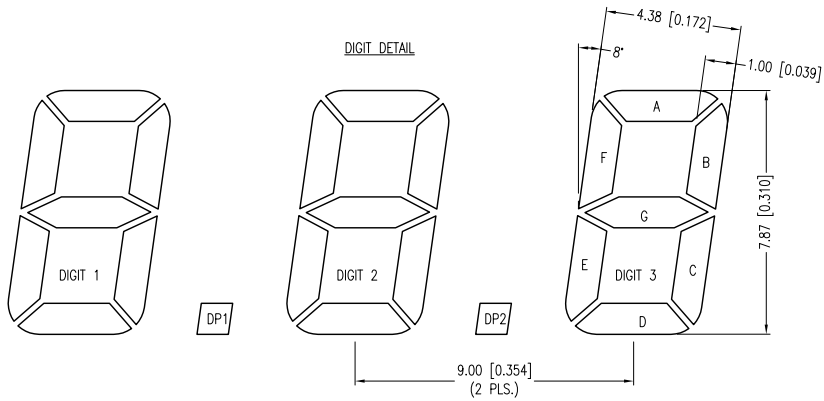
PART NUMBER	LCD-S301C31TR	REV.	C
DATE	E.C.N. NUMBER AND REVISION COMMENTS		REV.
05.17.05	E.C.N. #11244.		A
02.08.07	E.C.N. #11148.		B
09.24.12	E.C.N. #10BRDR. & REDRAWN/ #11835.		C



**A** CHARACTERISTICS

FLUID TYPE	TN
BACKGROUND COLOR	GRAY
VIEWING DIRECTION	6:00
DISPLAY MODE	REFLECTIVE
OPERATING VOLTAGE	5.0V A.C.
OPERATING TEMP.	0°C TO +70°C
STORAGE TEMP.	-20°C TO +70°C
DRIVING METHOD	STATIC
CONNECTION TYPE	24 PINS

PIN	1	2	3	4	5	6	7	8	9	10	11	12
SEGMENT	COM	E1	D1	C1	DP1	E2	D2	C2	DP2	E3	D3	C3
PIN	13	14	15	16	17	18	19	20	21	22	23	24
SEGMENT	B3	A3	F3	G3	B2	A2	F2	G2	B1	A1	F1	G1



\*UNLESS OTHERWISE SPECIFIED TOLERANCES PER DECIMAL PRECISION ARE: X=±1 (±0.039), X.X=±0.5 (±0.020), X.XX=±0.25 (±0.010), X.XXX=±0.127 (±0.005). LEAD SIZE=±0.05 (±0.002), LEAD LENGTH=±0.75 (±0.030). MIN= <sup>+0.00</sup>/<sub>-0.00</sub> DECIMAL PRECISION MAX.= <sup>+0.00</sup>/<sub>-0.00</sub> DECIMAL PRECISION

**LUMEX**  
 Creating LED and LCD Solutions Together™

425 N. GARY AVE.  
 CAROL STREAM, IL 60188-4900  
 PHONE: +1.800.278.5666  
 FAX: +1.630.315.2152  
 WEB: WWW.LUMEX.COM  
 MEMBER OF ITW PHOTONICS GROUP

INFOVUE 0.31" CHARACTER HEIGHT, 3 DIGIT LCD GLASS, TN, REFLECTIVE, 24 PINS.

\*\*THE SPECIFICATIONS MAY CHANGE AT ANY TIME WITHOUT NOTICE DUE TO NEW MATERIALS OR PRODUCT IMPROVEMENT.\*\*

CONFIDENTIAL INFORMATION  
 THE INFORMATION CONTAINED IN THIS DOCUMENT IS THE PROPERTY OF LUMEX INC. EXCEPT AS SPECIFICALLY AUTHORIZED IN WRITING BY LUMEX INC., THE HOLDER OF THIS DOCUMENT SHALL KEEP ALL INFORMATION CONTAINED HEREIN CONFIDENTIAL AND SHALL PROTECT SAME IN WHOLE OR IN PART FROM DISCLOSURE AND DISSEMINATION TO ALL THIRD PARTIES.

DATE:	09.24.12	DRAWN BY:	AB
PAGE:	1 OF 1	CHKD BY:	KF
SCALE:	NTS	APRVD BY:	KF
UNIT:	mm [INCH]		

## X-ON Electronics

Largest Supplier of Electrical and Electronic Components

*Click to view similar products for [LCD Numeric Display Modules](#) category:*

*Click to view products by [Lumex](#) manufacturer:*

Other Similar products are found below :

[LCD-H401C52TR](#) [LCD-S401C71TF-1](#) [LCD-S401M14TF](#) [LCD-S301C31TR-3](#) [LCD-S401M16TF](#) [VIM-878-DP-RHW](#) [LCD-H401M16KR](#)  
[VI-451-2-RC-S](#) [LCD-H401C52TF](#) [VIM-332](#) [DE 128-TU-20/7,5](#) [VIM-516-DP-RC-S-LV](#) [DE 112-TS-20/7,5/M](#) [DE 113-RS-20/12,2/M](#) [DE 113-RS-20/8,4/V](#) [DE 115-RS-20/7,5/V](#) [DE 117-RS-20/7,5/V](#) [DE 119-RS-20/7,5/M](#) [DE 119-TU-30/12,2/V](#) [DE 119-TU-30/8,4/V](#) [DE 122-RS-20/6,35/V](#) [DE 123-RS-20/6,35/V](#) [DE 123-TU-30/7,5/M](#) [DE 125-RS-20/7,5/M](#) [DE 127-RS-20/6,35/M](#) [DE 129-RS-20/12,2/V](#) [DE 130-RS-20/7,5/V](#) [DE 130-TS-20/7,5/M](#) [DE 156-RU-30/7,5/V](#) [DE 156-TU-30/7,5/V](#) [DE 158-TU-30/8,4](#) [DE 159-RS-20/7,5/V](#) [DE 160-RS-20/7,5/M](#)  
[DE 325-RS-20/8,4/V \(3 VOLT\)](#) [DE 126-RS-20/7,5/M](#) [DE 112-RS-20/6,35/V](#) [DE 113-RS-20/6,35/M](#) [DE 113-TS-20/7,5/M](#) [DE 114-RS-20/6,35/M](#) [DE 114-RS-20/7,5/V](#) [DE 117-TS-20/7,5/V](#) [DE 118-RS-20/6,35/M](#) [DE 119-RS-20/6,35/M](#) [DE 119-TS-20/7,5/V](#) [DE 120-RS-20/7,5/V](#) [DE 120-TS-20/7,5/M](#) [DE 121-RS-20/7,5/M](#) [DE 122-TU-30/12,2/V](#) [DE 131-RU-20/8,4](#) [DE 131-TU-30/6,35/M](#)