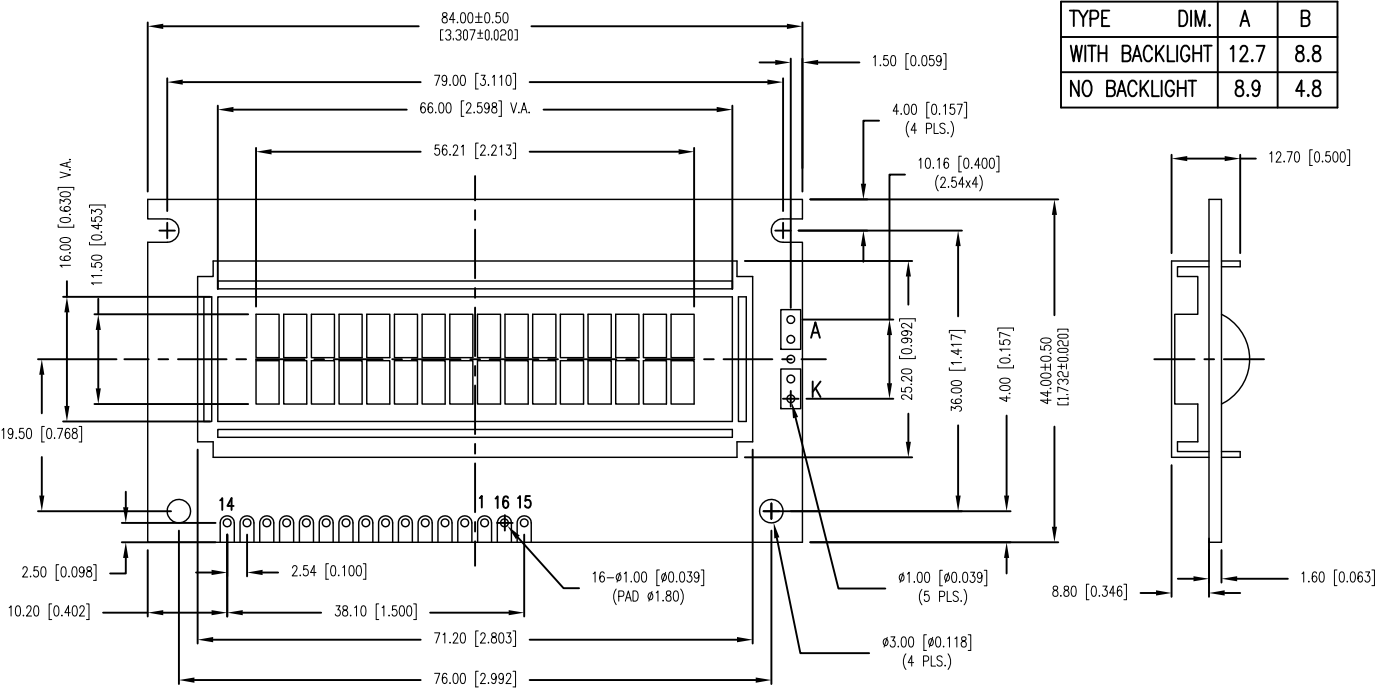
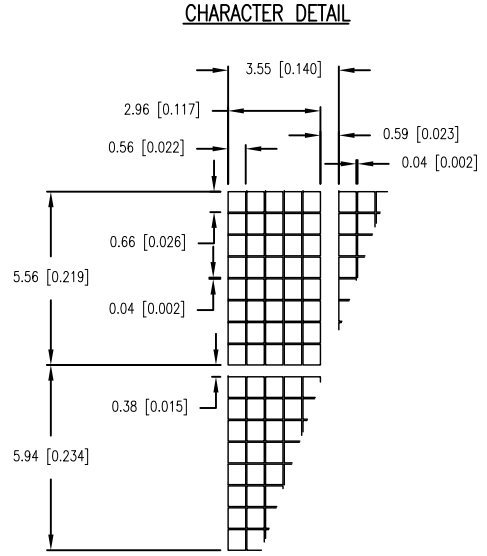


| P/N PREFIX/SUFFIX TABLE | | |
|-------------------------|-----|----------------------------------|
| LCM-X | DXX | DESCRIPTION |
| STANDARD | S | SR STN, REFLECTIVE |
| | SF | STN, TRANSFLECTIVE(W/ BACKLIGHT) |
| HIGH TEMP. | H | TR TN, REFLECTIVE |
| | TF | TN, TRANSFLECTIVE(W/ BACKLIGHT) |



| TYPE | DIM. | A | B |
|----------------|------|-----|---|
| WITH BACKLIGHT | 12.7 | 8.8 | |
| NO BACKLIGHT | 8.9 | 4.8 | |



CAUTION: STATIC SENSITIVE DEVICE
 FOLLOW PROPER E.S.D. HANDLING PROCEDURES
 WHEN WORKING WITH THIS PART.

*UNLESS OTHERWISE SPECIFIED TOLERANCE IS ±0.25mm (±0.010")

| | |
|------|-------------------|
| REV. | PART NUMBER |
| - | LCM-S01602DSF/I-Y |

CONFIDENTIAL INFORMATION
 THE INFORMATION CONTAINED IN THIS DOCUMENT IS THE PROPERTY OF LUMEX INC. EXCEPT AS SPECIFICALLY AUTHORIZED IN WRITING BY LUMEX INC., THE HOLDER OF THIS DOCUMENT SHALL KEEP ALL INFORMATION CONTAINED HEREIN CONFIDENTIAL AND SHALL PROTECT SAME IN WHOLE OR IN PART FROM DISCLOSURE AND DISSEMINATION TO ALL THIRD PARTIES.



290 E. HELLEN ROAD
 PALATINE, ILLINOIS 60067
 PHONE: 1-847-359-2790
 WEB: HTTP://WWW.LUMEX.COM

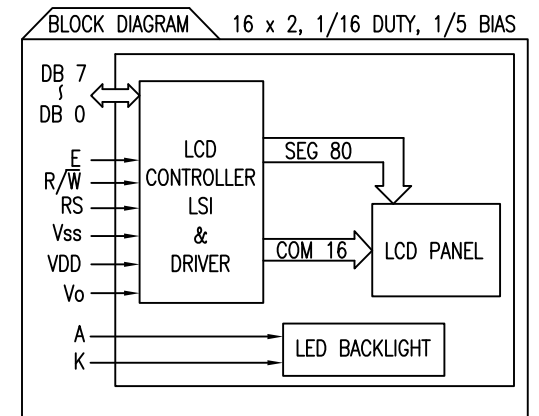
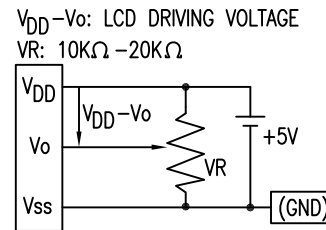
5.56mm CHARACTER HEIGHT, 16 x 2 CHARACTERS,
 5 x 8 DOT MATRIX, LCD MODULE, YELLOW BACKLIGHT,
 1/16 DUTY, 1/5 BIAS.

RELIABILITY NOTE
 OUR MANY YEARS OF EXPERIENCE DATA ACCUMULATION INDICATE THAT SOLDER HEAT IS A MAJOR CAUSE OF EARLY AND FUTURE FAILURE. PLEASE PAY ATTENTION TO YOUR SOLDERING PROCESS.

| | | | |
|-----------|-------------|--------------|--------------|
| DRAWN BY: | CHECKED BY: | APPROVED BY: | DATE: |
| MA | JD | JD | 03.12.14 |
| | | | PAGE: 1 OF 2 |
| | | | SCALE: N/A |

| | | |
|-------------------|-------------------------------------|------|
| PART NUMBER | | REV. |
| LCM-S01602DSF/I-Y | | - |
| REV. | E.C.N. NUMBER AND REVISION COMMENTS | DATE |
| | SEE PAGE #1./ | |

| PIN CONFIGURATION | | | |
|-------------------|-----------------|--------|---|
| PIN NO. | SYMBOL | LEVEL | FUNCTION |
| 1 | V _{SS} | - | POWER SUPPLY GND (0V) 5V FOR LCD DRIVE |
| 2 | V _{DD} | - | |
| 3 | V _O | - | |
| 4 | RS | H/L | REGISTER SELECT SIGNAL H: DATA INPUT L: INSTRUCTION INPUT |
| 5 | R/ \bar{W} | H/L | H: DATA READ (MODULE-->MPU) L: DATA WRITE (MODULE<--MPU) |
| 6 | E | H,H->L | ENABLE |
| 7~14 | DB0~DB7 | H/L | DATA BUS-SOFTWARE SELECTABLE 4 OR 8 BIT MODE. |
| 15 | A | - | ANODE LED BACKLIGHT |
| 16 | K | - | CATHODE LED BACKLIGHT |



| ELECTRICAL CHARACTERISTICS | | V _{DD} =4.7V to 5.3V, T _A =25°C | | | | | |
|----------------------------|----------------------------------|---|-----------------------|------|------|------|-------------------|
| ITEM | SYMBOL | CONDITION | STANDARD VALUE | | | UNIT | |
| | | | MIN. | TYP. | MAX. | | |
| SUPPLY VOLTAGE FOR LOGIC | V _{DD} -V _{SS} | - | - | 5.0 | - | V | |
| SUPPLY CURRENT FOR LOGIC | I _{DD} | V _{DD} =5V | - | 2.0 | 3.0 | mA | |
| INPUT VOLTAGE | HIGH | V _{IH} | - | 2.2 | 4.7 | V | |
| | LOW | V _{IL} | - | 0 | 0.6 | V | |
| OUTPUT VOLTAGE | HIGH | V _{OH} | - | 2.4 | - | V | |
| | LOW | V _{OL} | - | - | 0.4 | V | |
| *LED BACKLIGHT | VOLTAGE | V _f | I _f =160mA | - | 4.2 | 4.5 | V |
| | CURRENT | I _f | - | - | 160 | 400 | mA |
| | POWER CONSUMPTION | PD | - | - | 660 | - | mW |
| | LUMINOUS | L | I _f =160mA | 70 | - | - | cd/m ² |
| | COLOR | - | - | - | - | - | nm |

*ONLY APPLIES TO MODULES WITH BACKLIGHT

| ABSOLUTE MAXIMUM RATINGS | | | | | |
|------------------------------|----------------------------------|----------------------|-----------------|-----------------|------|
| ITEM | SYMBOL | TEST CONDITION | STANDARD VALUE | | UNIT |
| | | | MIN | MAX | |
| SUPPLY VOLTAGE FOR LOGIC | V _{DD} -V _{SS} | T _a =25°C | 4.7 | 5.3 | V |
| SUPPLY VOLTAGE FOR LCD DRIVE | V _{DD} -V _O | - | 4.2@50°C | 4.8@0°C | V |
| INPUT VOLTAGE | V _I | T _a =25°C | V _{SS} | V _{DD} | V |
| OPERATING TEMPERATURE | T _{opr} | LCM-S | 0 | 50 | °C |
| | | LCM-H | -20 | 70 | °C |
| STORAGE TEMPERATURE | T _{stg} | LCM-S | -20 | 70 | °C |
| | | LCM-H | -30 | 85 | °C |

*UNLESS OTHERWISE SPECIFIED TOLERANCE IS $\pm 0.25\text{mm}$ ($\pm 0.010''$)

| | |
|------|-------------------|
| REV. | PART NUMBER |
| - | LCM-S01602DSF/I-Y |

CONFIDENTIAL INFORMATION
THE INFORMATION CONTAINED IN THIS DOCUMENT IS THE PROPERTY OF LUMEX INC. EXCEPT AS SPECIFICALLY AUTHORIZED IN WRITING BY LUMEX INC., THE HOLDER OF THIS DOCUMENT SHALL KEEP ALL INFORMATION CONTAINED HEREIN CONFIDENTIAL AND SHALL PROTECT SAME IN WHOLE OR IN PART FROM DISCLOSURE AND DISSEMINATION TO ALL THIRD PARTIES.

LUMEX
INCORPORATED

290 E. HELLEN ROAD
PALATINE, ILLINOIS 60067
PHONE: 1-847-359-2790
WEB: HTTP://WWW.LUMEX.COM

5.56mm CHARACTER HEIGHT, 16 x 2 CHARACTERS,
5 x 8 DOT MATRIX, LCD MODULE, YELLOW BACKLIGHT,
1/16 DUTY, 1/5 BIAS.

RELIABILITY NOTE
OUR MANY YEARS OF EXPERIENCE DATA ACCUMULATION INDICATE THAT SOLDER HEAT IS A MAJOR CAUSE OF EARLY AND FUTURE FAILURE. PLEASE PAY ATTENTION TO YOUR SOLDERING PROCESS.

| | | | |
|-----------|-------------|--------------|----------------|
| DRAWN BY: | CHECKED BY: | APPROVED BY: | DATE: 03.12.14 |
| | | | PAGE: 2 OF 2 |
| | | | SCALE: N/A |

X-ON Electronics

Largest Supplier of Electrical and Electronic Components

Click to view similar products for [LCD Character Display Modules & Accessories](#) category:

Click to view products by [Lumex](#) manufacturer:

Other Similar products are found below :

[HG9Z-AC501](#) [HG9Z-SCI25B](#) [LCM-S01602DTRA-3](#) [HG9Z-XC213](#) [EA FL-10P](#) [MDLS-81809-LV-GLED4G](#) [MDLS-20265-LV-GLED4G](#)
[NMTC-S16205DFYHSAY-22](#) [NHD-0420AZ-FSW-GBW-33V33-0](#) [CM1644-SGR1](#) [162A BC BW](#) [LCM-S02002DSM-Y](#) [162D BA BC](#)
[HDM24216H-2-P9XS](#) [DEM 16207 SYH-PY](#) [RC0802A1-LLG-JWVE](#) [RC0802A1-LLR-JWVE](#) [RC0802A-TIW-ESV](#) [RC1202A-BIY-CSX](#)
[RC1202A-BIY-ESX](#) [RC1602A-BIW-CSV](#) [RC1602A-YHW-CSV](#) [RC1602B-GHY-CSXD](#) [RC1602B-TIW-CSV](#) [RC1602B-YHY-CSVD](#)
[RC1602D-GHY-ESX](#) [RC2002A2-LLB-JSVE](#) [RC2002A-GHG-CSV](#) [RC2004A-BIW-ESX](#) [RC2004A-GHW-CSV](#) [RC2004A-LLB-JSVE](#)
[RC2004A-LLH-JSV](#) [RC2004A-LLR-JSVE](#) [DEM 08171 SYH-LY](#) [DEM 08172 SYH-PY](#) [DEM16101SYH-LY](#) [DEM 16209 SBH-PW-N](#)
[DEM 16210 SGH](#) [DEM 16214 FGH-PW](#) [DEM 16216 FDH-P\(RGB\)-N](#) [DEM16216SYH-LY](#) [DEM 16217 SYH-PY](#) [DEM 16221 SYH](#) [DEM](#)
[16221 SYH \(FFCF/TR\)/V](#) [DEM 16227 FGH-PW](#) [DEM 16227 SBH-PW-N](#) [DEM 16227 SYH-LY](#) [DEM 20231 SYH-PY-CYR22](#) [DEM 20232](#)
[SBH-PW-N](#) [DEM 20233 SYH-LY](#)