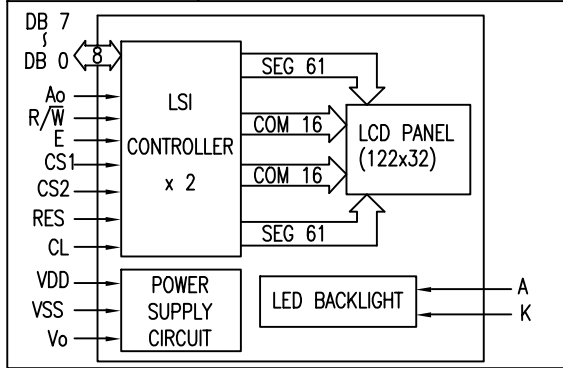


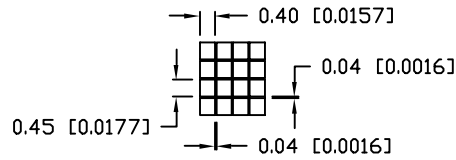
UNCONTROLLED DOCUMENT

□ □

BLOCK DIAGRAM 122 x 32, 1/16 DUTY, 1/5 BIAS



PIXEL DETAIL



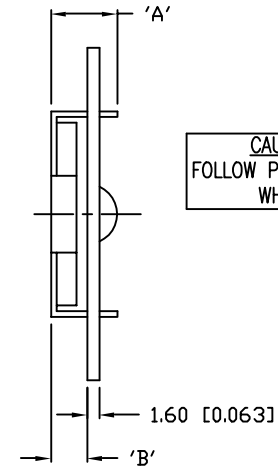
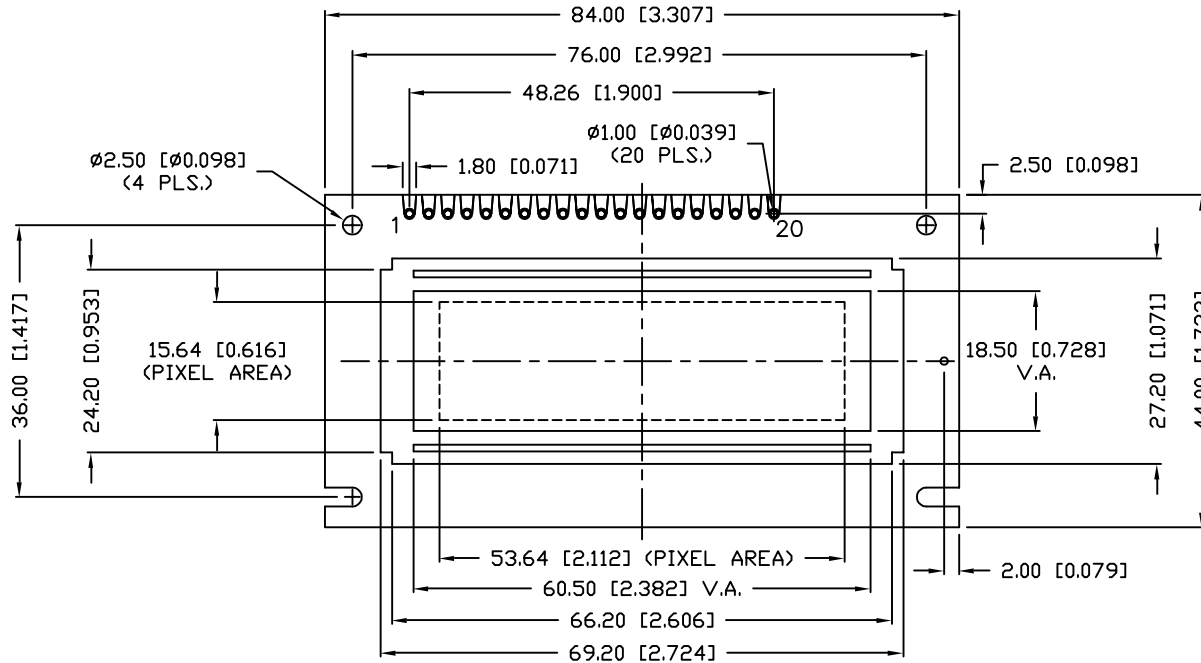
PART NUMBER
LCM-X12232GXX
REV. B

REV.	E.C.N. NUMBER AND REVISION COMMENTS	DATE
A	E.C.N. #10433./	6-8-98
B	E.C.N. #10BRDR. & REDRAWN.	10-2-98

P/N PREFIX/SUFFIX TABLE

LCM-X	DXX	DESCRIPTION
STANDARD	S	STN, REFLECTIVE
HIGH TEMP.	H	STN, TRANFLECTIVE(W/ BACKLIGHT)

TYPE	DIM.	A	B
WITH BACKLIGHT		12.7	8.7
NO BACKLIGHT		8.8	4.8



CAUTION: STATIC SENSITIVE DEVICE
FOLLOW PROPER E.S.D. HANDLING PROCEDURES
WHEN WORKING WITH THIS PART.

UNCONTROLLED DOCUMENT

*UNLESS OTHERWISE SPECIFIED TOLERANCE IS ±0.25mm (±0.010")

REV. B PART NUMBER LCM-X12232GXX

CONFIDENTIAL INFORMATION
THE INFORMATION CONTAINED IN THIS DOCUMENT IS THE PROPERTY OF LUMEX INC. EXCEPT AS SPECIFICALLY AUTHORIZED IN WRITING BY LUMEX INC., THE HOLDER OF THIS DOCUMENT SHALL KEEP ALL INFORMATION CONTAINED HEREIN CONFIDENTIAL AND SHALL PROTECT SAME IN WHOLE OR IN PART FROM DISCLOSURE AND DISSEMINATION TO ALL THIRD PARTIES.



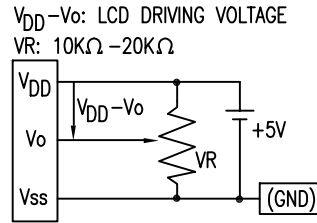
290 E. HELLEN ROAD
PALATINE, ILLINOIS 60067
PHONE: 1-847-359-2790
WEB: HTTP://WWW.LUMEX.COM

122 x 32 DOT MATRIX GRAPHIC MODULE,
1/16 DUTY, 1/5 BIAS.

RELIABILITY NOTE
OUR MANY YEARS OF EXPERIENCE DATA ACCUMULATION INDICATE THAT SOLDER HEAT IS A MAJOR CAUSE OF EARLY AND FUTURE FAILURE. PLEASE PAY ATTENTION TO YOUR SOLDERING PROCESS.

DRAWN BY: SA/BC	CHECKED BY:	APPROVED BY:	DATE: 4-6-98
			PAGE: 1 OF 2
			SCALE: N/A

PIN CONFIGURATION			FUNCTION	
PIN NO.	SYMBOL	LEVEL		
1	V _{SS}	-	POWER SUPPLY	GND (0V)
2	V _{DD}	-		5V
3	V _O	-		FOR LCD DRIVE
4	A ₀	H/L	REGISTER SELECT SIGNAL H: DATA INPUT L: INSTRUCTION INPUT	
5	CS1	H,H->L	CHIP SELECT SIGNAL FOR IC1	
6	CS2	H,H->L	CHIP SELECT SIGNAL FOR IC2	
7	CL	H/L	CLOCK INPUT (2kHz)	
8	E	H/L	ENABLE SIGNAL (NO PULL-UP RESISTOR)	
9	R/W	H/L	H: DATA READ (MODULE->->MPU) L: DATA WRITE (MODULE<-<-MPU)	
10~17	DB0~DB7	H/L	DATA BIT 0-7	
18	RST	L	RESET SIGNAL	
19	A	-	ANODE	LED BACKLIGHT
20	K	-	CATHODE	LED BACKLIGHT



REV.	E.C.N. NUMBER AND REVISION COMMENTS	DATE
	SEE PAGE #1./	

READ/WRITE TIMING FOR 68 PORT MPU					
PARAMETER	SIGNAL	SYMBOL	MIN	MAX	UNIT
ADDRESS HOLD TIME	CS	t _{AH6}	10	-	ns
ADDRESS SETUP TIME	R/W	t _{AS6}	20	-	ns
SYSTEM CYCLE TIME	A ₀	t _{CYC6}	1000	-	ns
DATA SETUP TIME	DO~D7	t _{DS6}	80	-	ns
DATA HOLD TIME		t _{DH6}	10	-	ns
OUTPUT DISABLE TIME		t _{OH6}	10	60	ns
ACCESS TIME		t _{ACC6}	-	90	ns
ENABLE PULSE WIDTH	(READ)	E	t _{EW}	100	ns
	(WRITE)			80	ns

ELECTRICAL CHARACTERISTICS		V _{DD} =4.5V to 5.5V, T _A =25°C				
ITEM	SYMBOL	CONDITION	STANDARD VALUE			UNIT
			MIN.	TYP.	MAX.	
SUPPLY VOLTAGE FOR LOGIC	V _{DD} -V _{SS}	-	-	5.0	-	V
SUPPLY CURRENT FOR LOGIC	I _{DD}	V _{DD} =5V	-	-	3.0	mA
INPUT VOLTAGE**	HIGH	V _{IH}	0.2	-	V _{DD}	V
	LOW	V _{IL}	0	-	0.8	V
OUTPUT VOLTAGE***	HIGH	V _{OH}	I _{OH} =-3mA	2.4	-	V
	LOW	V _{OL}	I _{OL} =3mA	-	0.4	V
*LED BACKLIGHT	VOLTAGE	V _f	-	4.2	4.6	V
	CURRENT	I _f	-	170	330	mA
	POWER CONSUMPTION	PD	-	710	-	mW
	LUMINOUS	L	I _f =170mA	70	-	cd/m ²
	COLOR	-	-	-	-	nm

ABSOLUTE MAXIMUM RATINGS					
ITEM	SYMBOL	TEST CONDITION	STANDARD VALUE		UNIT
			MIN	MAX	
SUPPLY VOLTAGE FOR LOGIC	V _{DD} -V _{SS}	T _a =25°C	4.75	5.25	V
SUPPLY VOLTAGE FOR LCD DRIVE	V _{DD} -V _O	-	4.8@50°C	5.2@0°C	V
INPUT VOLTAGE	V _I	T _a =25°C	V _{SS}	V _{DD}	V
OPERATING TEMPERATURE	T _{opr}	LCM-S	0	50	°C
		LCM-H	-20	70	°C
STORAGE TEMPERATURE	T _{stg}	LCM-S	-20	70	°C
		LCM-H	-30	85	°C

*ONLY APPLIES TO MODULES WITH BACKLIGHT

□ **APPLIED TO TERMINALS DB0~DB7

***APPLIED TO TERMINALS E, A₀, DB0~DB7

REV. B	PART NUMBER LCM-X12232GXX	<p>CONFIDENTIAL INFORMATION</p> <p>THE INFORMATION CONTAINED IN THIS DOCUMENT IS THE PROPERTY OF LUMEX INC. EXCEPT AS SPECIFICALLY AUTHORIZED IN WRITING BY LUMEX INC., THE HOLDER OF THIS DOCUMENT SHALL KEEP ALL INFORMATION CONTAINED HEREIN CONFIDENTIAL AND SHALL PROTECT SAME IN WHOLE OR IN PART FROM DISCLOSURE AND DISSEMINATION TO ALL THIRD PARTIES.</p> <p>RELIABILITY NOTE</p> <p>OUR MANY YEARS OF EXPERIENCE DATA ACCUMULATION INDICATE THAT SOLDER HEAT IS A MAJOR CAUSE OF EARLY AND FUTURE FAILURE. PLEASE PAY ATTENTION TO YOUR SOLDERING PROCESS.</p>	<p>LUMEX INCORPORATED</p> <p>290 E. HELLEN ROAD PALATINE, ILLINOIS 60067 PHONE: 1-847-359-2790 WEB: HTTP://WWW.LUMEX.COM</p>
122 x 32 DOT MATRIX GRAPHIC MODULE, 1/16 DUTY, 1/5 BIAS.		<p>DRAWN BY: SA/BC</p> <p>CHECKED BY:</p> <p>APPROVED BY:</p> <p>DATE: 4-6-98</p> <p>PAGE: 2 OF 2</p> <p>SCALE: N/A</p>	

X-ON Electronics

Largest Supplier of Electrical and Electronic Components

Click to view similar products for [LCD Graphic Display Modules & Accessories](#) category:

Click to view products by [Lumex](#) manufacturer:

Other Similar products are found below :

[HDM64GS12L-Y11S](#) [MGLS-240128-Z05](#) [DEM 128064U FGH](#) [DEM 240064E FGH-PW](#) [11557](#) [18396](#) [15932](#) [TMH2GDB](#) [HDM64GS24L-2-Y14S](#) [RG12864C-YHW-V](#) [RG12864K-BIW-VBG](#) [RG320240A1-BIW-V](#) [DEM 128064A SBH-PW-N](#) [DEM 128064B SBH-PW-N](#) [DEM 128064G FGH-PW](#) [DEM 128064O FGH-PW](#) [DEM 128064O SBH-PW-N](#) [DEM 128064Q SBH-PW-N](#) [DEM 128128D FGH-PW](#) [DEM 240064B FGH-PW](#) [DEM 240064B SBH-PW-N](#) [DEM 320240B FGH-PW-N](#) [EA W240-7KHLW](#) [16239](#) [RX12864A1-BIW](#) [RX240128A-FHW](#) [RX240160A-FHW](#) [18370](#) [19340](#) [RG24064A-TIW-V](#) [EA FL-14P](#) [GLK19264A-7T-1U-TCI](#) [GLK19264A-7T-1U-USB-WB](#) [DEM 320240I SBH-PW-N](#) [GLK24064R-25-1U-WB](#) [DEM 240160A FGH-PW](#) [RG12864B1-BIW-V](#) [RG240128B-BIW-V](#) [RG24064A-FHW-V](#) [DEM 122032B SYH-LY](#) [DEM 128064A FGH-PW \(A-TOUCH\)](#) [DEM 128064A SBH-PW-N \(A-TOUCH\)](#) [DEM 128064B FGH-PW](#) [DEM 128064H SBH-PW-N](#) [DEM 128064J FGH-PW](#) [DEM 128064P FGH-PW](#) [DEM 320240C SBH-PW-N](#) [DEM 320240I FGH-PW](#) [DEM 128064F SBH-PW-N](#) [DEM 128128B1 FGH-PW](#)