

*UNLESS OTHERWISE SPECIFIED TOLERANCES PER DECIMAL PRECISION ARE: X=±1 (±0.039), X.X=±0.5 (±0.020), X.XX=±0.25 (±0.010), X.XXX=±0.127 (±0.005). LEAD SIZE=±0.05 (±0.002), LEAD LENGTH=±0.75 (±0.030). MIN.= +DECIMAL PRECISION MAX.= +0.00 -DECIMAL PRECISION

UNCONTROLLED DOCUMENT

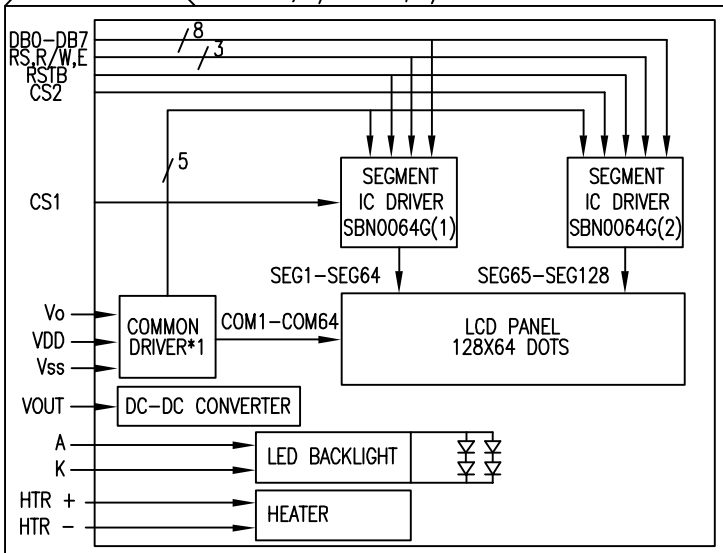


REV.	PART NUMBER LCR-U12864GSF-WH
128 x 64 GRAPHIC LCD MODULE, STN GRAY, -40°C to +85°C OPERATING TEMP, W/ HEATER, TRANSFLECTIVE, WHITE LED BACKLIGHT, 6:00 VIEW.	

CONFIDENTIAL INFORMATION
THE INFORMATION CONTAINED IN THIS DOCUMENT IS THE PROPERTY OF LUMEX INC. EXCEPT AS SPECIFICALLY AUTHORIZED IN WRITING BY LUMEX INC., THE HOLDER OF THIS DOCUMENT SHALL KEEP ALL INFORMATION CONTAINED HEREIN CONFIDENTIAL AND SHALL PROTECT SAME IN WHOLE OR IN PART FROM DISCLOSURE AND DISSEMINATION TO ALL THIRD PARTIES.

RELIABILITY NOTE
OUR MANY YEARS OF EXPERIENCE DATA ACCUMULATION INDICATE THAT SOLDER HEAT IS A MAJOR CAUSE OF EARLY AND FUTURE FAILURE. PLEASE PAY ATTENTION TO YOUR SOLDERING PROCESS.

LUMEX Creating LED and LCD Solutions Together™		290 E. HELEN ROAD PALATINE, IL 60067-6976 PHONE: +1.847.359.2790 US WEB: www.lumex.com TW WEB: www.lumex.com.tw	
DRAWN BY: JN	CHECKED BY:	APPROVED BY:	DATE: 11.24.09 PAGE: 1 OF 1 SCALE: N/A

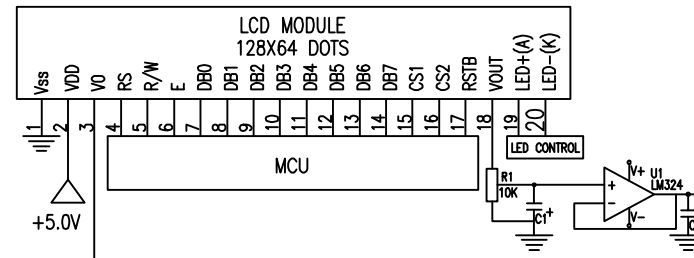


PIN CONFIGURATION

PIN NO.	SYMBOL	FUNCTION	
1	V _{SS}	POWER SUPPLY	
2	V _{DD}		GND (0V)
3	V _O		5V FOR LCD DRIVE
4	RS	REGISTER SELECT RS=0...INSTRUCTION REGISTER RS=1...DATA REGISTER	
5	R/W	READ/WRITE R/W=0...READ R/W=1...WRITE	
6	E	CHIP ENABLE SIGNAL	
7-14	DB0~DB7	DISPLAY DATA SIGNAL	
15	CS1	CHIP SELECT SIGNAL FOR SBN0064G(1)	
16	CS2	CHIP SELECT SIGNAL FOR SBN0064G(2)	
17	RSTB	CONTROL RESET (MODULE RESET)	
18	VOUT	OUTPUT VOTAGE FOR LCD DRIVING, -10.0V.	
19	LED- (A)	ANODE OF LED	
20	LED- (K)	CATHODE OF LED	
21	HTR +	+12V	
22	HTR -	GND (0V)	

*UNLESS OTHERWISE SPECIFIED TOLERANCES PER DECIMAL PRECISION ARE: X=±1 (±0.039), X.X=±0.5 (±0.020), X.XX=±0.25 (±0.010), X.XXX=±0.127 (±0.005). LEAD SIZE=±0.05 (±0.002), LEAD LENGTH=±0.75 (±0.030). MIN.= +DECIMAL PRECISION MAX.= +0.00 -0.00

- NOTES:
1. R1 IS THE CONTRAST RESISTOR.
 2. VOUT=-10.0V
 3. ADJUST R1 TO GET GOOD CONTRAST. TYP: V0 IS -7.9V.



ABSOLUTE MAXIMUM RATINGS					
ITEM	SYMBOL	TEST CONDITION	STANDARD VALUE		UNIT
SUPPLY VOLTAGE FOR LOGIC	V _{DD} -V _{SS}	Ta=25°C	4.7	5.3	V
SUPPLY VOLTAGE FOR LCD DRIVE	V _{DD} -V _O	-	0	15	V
INPUT VOLTAGE	V _I	Ta=25°C	V _{SS}	V _{DD}	V
OPERATING TEMPERATURE	T _{opr}	W/ HEATER	-40	+85	°C
STORAGE TEMPERATURE	T _{stg}	W/ HEATER	-40	+85	°C

ELECTRICAL CHARACTERISTICS							
V _{DD} =4.7V to 5.3V, T _A =25°C							
ITEM	SYMBOL	CONDITION	STANDARD VALUE			UNIT	
SUPPLY VOLTAGE FOR LOGIC	V _{DD} -V _{SS}	-	4.5	5.0	5.5	V	
SUPPLY VOLTAGE FOR LCD DRIVE	V _{DD} -V _O	V _{DD} =5V	12.6	12.9	13.2	V	
SUPPLY CURRENT FOR LOGIC	I _{DD}	V _{DD} =5V	-	8.2	13.0	mA	
LED BACKLIGHT	VOLTAGE	V _f	If=30mA	-	6.4	7.2	V
	CURRENT	I _f	-	-	30	-	mA
	POWER CONSUMPTION	P _D	-	-	192	-	mW
	LUMINOUS	L	-	70	-	-	cd/m ²
	COLOR COORDINATE	X	WHITE	.260	-	.330	
		Y		.260	-	.330	
HEATER	VOLTAGE	V _{fH}	-	-	12	V	
	RESISTANCE		-	-	20	OHM	
	CURRENT	I _H	-	-	0.6	AMP	
	POWER	PH	-	-	7.2	W	

128 x 64 GRAPHIC LCD MODULE, STN GRAY,
-40°C to +85°C OPERATING TEMP, W/ HEATER,
TRANSFLECTIVE, WHITE LED BACKLIGHT, 6:00 VIEW.

CONFIDENTIAL INFORMATION

THE INFORMATION CONTAINED IN THIS DOCUMENT IS THE PROPERTY OF LUMEX INC. EXCEPT AS SPECIFICALLY AUTHORIZED IN WRITING BY LUMEX INC., THE HOLDER OF THIS DOCUMENT SHALL KEEP ALL INFORMATION CONTAINED HEREIN CONFIDENTIAL AND SHALL PROTECT SAME IN WHOLE OR IN PART FROM DISCLOSURE AND DISSEMINATION TO ALL THIRD PARTIES.

RELIABILITY NOTE

OUR MANY YEARS OF EXPERIENCE DATA ACCUMULATION INDICATE THAT SOLDER HEAT IS A MAJOR CAUSE OF EARLY AND FUTURE FAILURE. PLEASE PAY ATTENTION TO YOUR SOLDERING PROCESS.



290 E. HELEN ROAD
PALATINE, IL 60067-6976
PHONE: +1.847.359.2790
US WEB: www.lumex.com
TW WEB: www.lumex.com.tw

DRAWN BY:	CHECKED BY:	APPROVED BY:	DATE: 11.24.09
JN			PAGE: 2 OF 2
			SCALE: N/A

X-ON Electronics

Largest Supplier of Electrical and Electronic Components

Click to view similar products for [LCD Graphic Display Modules & Accessories](#) category:

Click to view products by [Lumex](#) manufacturer:

Other Similar products are found below :

[HDM64GS12L-Y11S](#) [MGLS-240128-Z05](#) [DEM 128064U FGH](#) [DEM 240064E FGH-PW](#) [11557](#) [18396](#) [15932](#) [TMH2GDB](#) [HDM64GS24L-2-Y14S](#) [RG12864C-YHW-V](#) [RG12864K-BIW-VBG](#) [RG320240A1-BIW-V](#) [DEM 128064A SBH-PW-N](#) [DEM 128064B SBH-PW-N](#) [DEM 128064G FGH-PW](#) [DEM 128064O FGH-PW](#) [DEM 128064O SBH-PW-N](#) [DEM 128064Q SBH-PW-N](#) [DEM 128128D FGH-PW](#) [DEM 240064B FGH-PW](#) [DEM 240064B SBH-PW-N](#) [DEM 320240B FGH-PW-N](#) [EA W240-7KHLW](#) [16239](#) [RX12864A1-BIW](#) [RX240128A-FHW](#) [RX240160A-FHW](#) [18370](#) [19340](#) [RG24064A-TIW-V](#) [EA FL-14P](#) [GLK19264A-7T-1U-TCI](#) [GLK19264A-7T-1U-USB-WB](#) [DEM 320240I SBH-PW-N](#) [GLK24064R-25-1U-WB](#) [DEM 240160A FGH-PW](#) [RG12864B1-BIW-V](#) [RG240128B-BIW-V](#) [RG24064A-FHW-V](#) [DEM 122032B SYH-LY](#) [DEM 128064A FGH-PW \(A-TOUCH\)](#) [DEM 128064A SBH-PW-N \(A-TOUCH\)](#) [DEM 128064B FGH-PW](#) [DEM 128064H SBH-PW-N](#) [DEM 128064J FGH-PW](#) [DEM 128064P FGH-PW](#) [DEM 320240C SBH-PW-N](#) [DEM 320240I FGH-PW](#) [DEM 128064F SBH-PW-N](#) [DEM 128128B1 FGH-PW](#)