

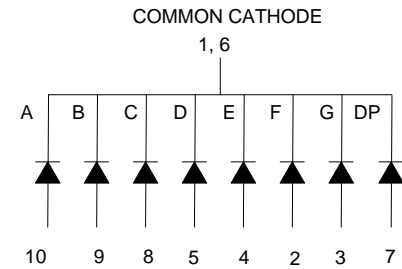
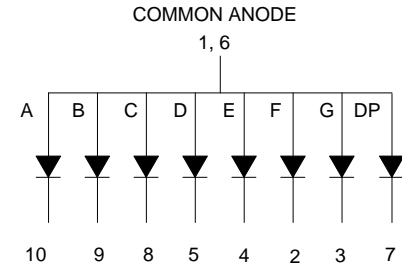
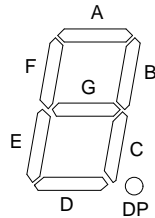
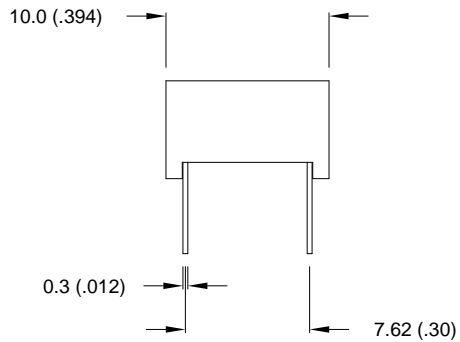
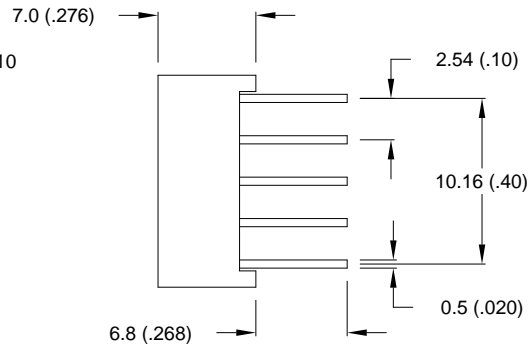
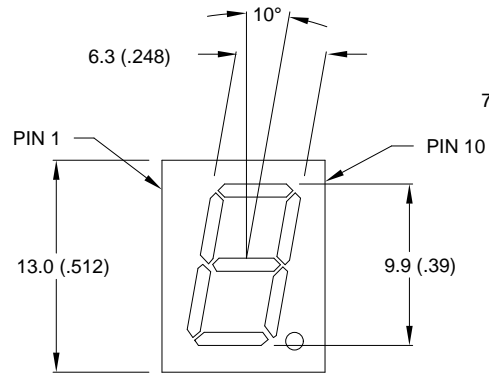
DATE

REVISIONS

REV

DRAWING NUMBER
LDS-X39X

REV



292 E. HELLEN ROAD
PALATINE, ILLINOIS 60067
(708) 359-2790

CONFIDENTIAL INFORMATION
THE INFORMATION CONTAINED IN THIS DOCUMENT IS THE PROPERTY OF LUMEX OPTO/COMPONENTS, INC. EXCEPT AS SPECIFICALLY AUTHORIZED IN WRITING BY LUMEX OPTO/COMPONENTS, INC., THE HOLDER OF THIS DOCUMENT SHALL KEEP ALL INFORMATION CONTAINED HEREIN CONFIDENTIAL AND SHALL PROTECT SAME IN WHOLE OR IN PART FROM DISCLOSURE AND DISSEMINATION TO ALL THIRD PARTIES.

DATE:	DWN:	CHK'D:	APPD:
SCALE: DO NOT SCALE DWG			

- [Order Samples](#)
 - [Stock/Price Request](#)
 - [Sales and Tech Support](#)
3. [.28"-.80" Character Numeric & Alpha-Numeric Displays/Single, Dual & Quad](#)
4. [.39" Numeric Displays - RHD](#)

[View](#) Image next to part no. indicates cad file.

Lumex drawings are in PDF format. If you don't have Adobe Acrobat, click on this icon to

[download a free copy](#)



Lumex PN	lambda p (nm)	Iv microCd @10mA	Color	Comm. pin	Face	Seg
LDS-A3912RI View	565	3000	Green <input type="checkbox"/>	(+)	Grey <input type="checkbox"/>	White <input type="checkbox"/>
LDS-A3913RI View	585	3000	Yellow <input type="checkbox"/>	(+)	Grey <input type="checkbox"/>	White <input type="checkbox"/>
LDS-A3914RI View	625	5000	Red <input type="checkbox"/>	(+)	Grey <input type="checkbox"/>	White <input type="checkbox"/>
LDS-A3916RI View	660	9000	Sup Red <input type="checkbox"/>	(+)	Grey <input type="checkbox"/>	White <input type="checkbox"/>
LDS-C3912RI View	565	3000	Green <input type="checkbox"/>	(-)	Grey <input type="checkbox"/>	White <input type="checkbox"/>
LDS-C3913RI View	585	3000	Yellow <input type="checkbox"/>	(-)	Grey <input type="checkbox"/>	White <input type="checkbox"/>
LDS-C3914RI View	625	5000	Red <input type="checkbox"/>	(-)	Grey <input type="checkbox"/>	White <input type="checkbox"/>
LDS-C3916RI View	660	9000	Sup Red <input type="checkbox"/>	(-)	Grey <input type="checkbox"/>	White <input type="checkbox"/>

Applications

[\[top of page\]](#)

- Instrument Panels
- Test Equipment
- Meter Displays

[Home](#) | [What's New](#) | [Product Gallery](#) | [Product Search](#) | [X-Ref Search Engine](#) | [Tech Notes](#) | [Sales and Tech Support](#) | [Corporate Info](#)

290 East Helen Road Palatine, IL 60067 Telephone: (847) 359-2790 Facsimile: (847) 359-8904 E-mail us at sales@lumex.com

© 1997-2001 Lumex, Inc.

X-ON Electronics

Largest Supplier of Electrical and Electronic Components

Click to view similar products for [LED Displays & Accessories](#) category:

Click to view products by [Lumex](#) manufacturer:

Other Similar products are found below :

[LTC-2721WC](#) [LTC-4624JD](#) [LTC-4627WC](#) [LTC-571P](#) [LTM-8522G](#) [LTP-4323P](#) [LTP-747G](#) [LTS-3361JG-06](#) [1668](#) [HT-F196NB-5323](#)
[IPD2131-27](#) [SA03-12EWA](#) [LDQ-N514RI](#) [LDS-A3506RD](#) [LDS-A3926RI](#) [SC03-12HDB](#) [SI-B9T151550WW](#) [SI-B9V171550WW](#) [SLC-3PF-](#)
[WL](#) [SLDN-32M-G](#) [1624](#) [LTC-2621JD](#) [LTC-2623WC](#) [LTC-4627JD](#) [LTD-322G](#) [LTD-482PC](#) [LTP-1057AHR](#) [LTP-1457AKR](#) [LTP-3784G-](#)
[01](#) [LTS-313AP](#) [LTS-4812SKR-P](#) [LTS-547AE](#) [LTS-6780P](#) [446010401-3](#) [HV-7W30-6829](#) [DA43-11GWA](#) [LDD-A516RI-17](#) [LDD-E305RI](#)
[LDQ-N3402RI](#) [LDQ-N3606RI](#) [LDT-M2804RI](#) [86004CB830](#) [LTP-3862JD](#) [LTP-2088AKD](#) [LTD-6740P](#) [LTS-6880Y](#) [LDS-](#)
[SMC3002RISUGTR](#) [LTC-2623E](#) [CC25-12YWA](#) [LDM-6432-P3-UR-1](#)