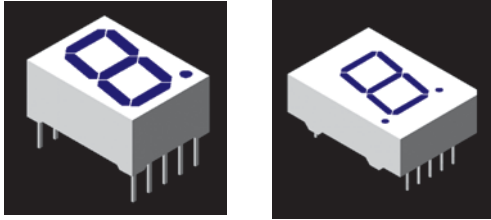


# LED Displays ~ Seven Segment ~ Numeric



## Single Digit



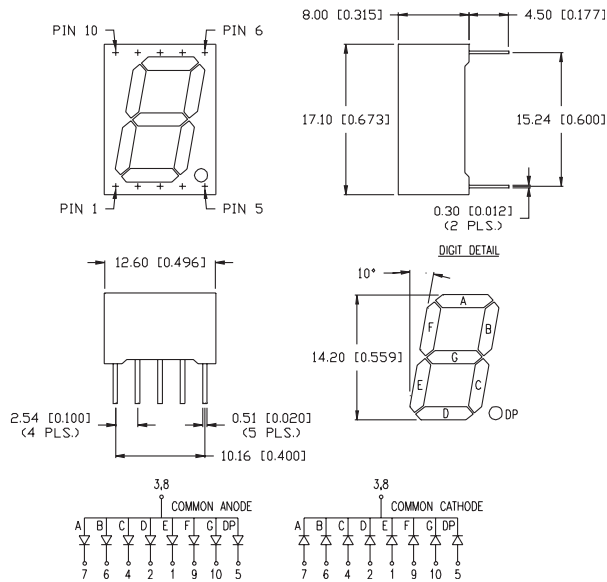
### Features/Options

- ▶ Standard and high brightness chips
- ▶ Intensity grading available
- ▶ Custom sizes at minimal tooling
- ▶ Face and segment off colors in grey and milky white

### Applications/Uses

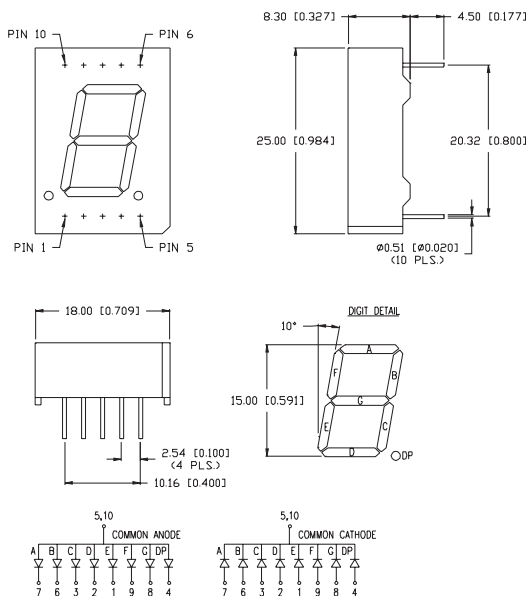
- ▶ Test instruments
- ▶ Diagnostic equipment
- ▶ Instrument and control panels
- ▶ Monitoring displays

## 0.56" single digit



Part Number	Wave Length (nm)	Brightness ( $\mu\text{cd}$ @ 10mA)	Vf (typ) 10mA	Vf (max) 10mA	Emitted Color	Polarity (common)
LDS-A5642RI	565	2500	2.2	2.6	Green	Anode
LDS-A5644RI	635	2500	2.0	2.5	Red	Anode
LDS-A5646RI	660	8000	1.7	2.2	Red	Anode
LDS-A5642RI-SUG	574	7000	2.2	2.6	Green	Anode
LDS-A5644RI-SI	636	15,000	2.0	2.6	Red	Anode
LDS-A5647RI-USB	470	6000	3.5	4.0	Blue	Anode
LDS-C5642RI	565	2500	2.2	2.6	Green	Cathode
LDS-C5644RI	635	2500	2.0	2.5	Red	Cathode
LDS-C5646RI	660	8000	1.7	2.2	Red	Cathode
LDS-C5642RI-SUG	574	7000	2.2	2.6	Green	Cathode
LDS-C5644RI-SI	636	15,000	2.0	2.6	Red	Cathode
LDS-C5647RI-USB	470	6000	3.5	4.0	Blue	Cathode

## 0.60" single digit



Part Number	Wave Length (nm)	Brightness ( $\mu\text{cd}$ @ 10mA)	Vf (typ) 10mA	Vf (max) 10mA	Emitted Color	Polarity (common)
LDS-A6002RI	565	2500	2.2	2.6	Green	Anode
LDS-A6004RI	635	2500	2.0	2.5	Red	Anode
LDS-A6006RI	660	8000	1.7	2.2	Red	Anode
LDS-A6002RI-SUG	574	7000	2.2	2.6	Green	Anode
LDS-A6004RI-SI	636	15,000	2.0	2.6	Red	Anode
LDS-A6007RI-USB	470	6000	3.5	4.0	Blue	Anode
LDS-C6002RI	565	2500	2.2	2.6	Green	Cathode
LDS-C6004RI	635	2500	2.0	2.5	Red	Cathode
LDS-C6006RI	660	8000	1.7	2.2	Red	Cathode
LDS-C6002RI-SUG	574	7000	2.2	2.6	Green	Cathode
LDS-C6004RI-SI	636	15,000	2.0	2.6	Red	Cathode
LDS-C6007RI-USB	470	6000	3.5	4.0	Blue	Cathode



USA/Canada +1-800-278-5666  
Europe +49-6081-964380  
Asia +886-3-5821124



[www.lumex.com](http://www.lumex.com)



USA/Canada +1-847-359-8904  
Europe +49-6081-964381  
Asia +886-3-5821154

- 1
- 2
- 3
- 4
- 5
- 6
- 7
- 8
- 9
- 10
- 11
- 12
- 13
- 14
- 15
- 16
- 17
- 18
- 19
- 20
- 21
- 22
- 23
- 24
- 25
- 26
- 27
- 28
- 29

## X-ON Electronics

Largest Supplier of Electrical and Electronic Components

*Click to view similar products for [LED Displays & Accessories](#) category:*

*Click to view products by [Lumex](#) manufacturer:*

Other Similar products are found below :

[LTC-4624JD](#) [LTC-4627WC](#) [LTC-571P](#) [LTM-8522G](#) [LTP-4323P](#) [LTP-747G](#) [LTS-3361JG-06](#) [1668](#) [HT-F196NB-5323](#) [IPD2131-27](#) [SA03-12EWA](#) [LDQ-N514RI](#) [LDS-A3506RD](#) [LDS-A3926RI](#) [SC03-12HDB](#) [SI-B9T151550WW](#) [SI-B9V171550WW](#) [SLC-3PF-WL](#) [SLDN-32M-G1624](#) [LTC-2621JD](#) [LTC-2623WC](#) [LTC-4627JD](#) [LTD-322G](#) [LTD-482PC](#) [LTP-1057AHR](#) [LTP-1457AKR](#) [LTP-3784G-01](#) [LTS-313AP](#) [LTS-4812SKR-P](#) [LTS-547AE](#) [LTS-6780P](#) [446010401-3](#) [HV-7W30-6829](#) [DA43-11GWA](#) [LDD-A516RI-17](#) [LDD-E305RI](#) [LDQ-N3402RI](#) [LDQ-N3606RI](#) [LDT-M2804RI](#) [86004CB830](#) [LTP-3862JD](#) [LTP-2088AKD](#) [LTD-6740P](#) [LTS-6880Y](#) [LDS-SMC3002RISUGTR](#) [LTC-2623E](#)  
[CC25-12YWA](#) [LDM-6432-P3-UR-1](#) [SR420312N/32](#)