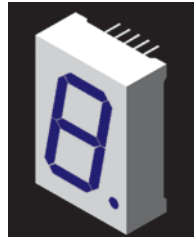
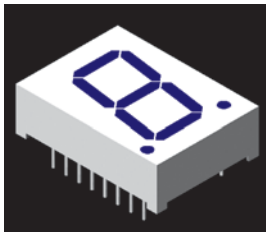


LED Displays ~ Seven Segment ~ Numeric



Single Digit



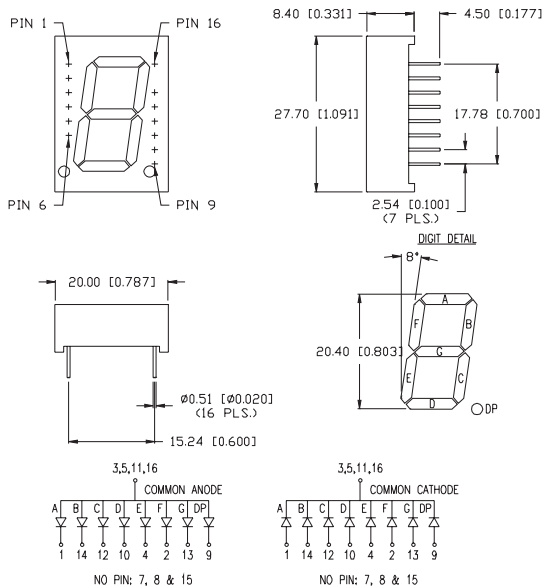
Features/Options

- ▶ Standard and high brightness chips
- ▶ Intensity grading available
- ▶ Custom sizes at minimal tooling
- ▶ Face and segment off colors in grey and milky white

Applications/Uses

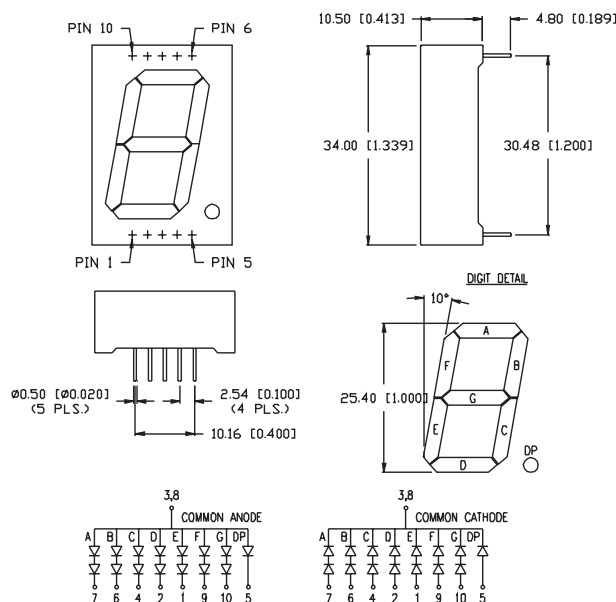
- ▶ Test instruments
- ▶ Diagnostic equipment
- ▶ Instrument and control panels
- ▶ Monitoring displays

0.80" single digit



Part Number	Wave Length (nm)	Brightness (μcd) @ 10mA	Vf (typ) 10mA	Vf (max) 10mA	Emitted Color	Polarity (common)
LDS-A812RI	565	2500	2.2	2.6	Green	Anode
LDS-A814RI	635	2500	2.0	2.5	Red	Anode
LDS-A816RI	660	8000	1.7	2.2	Red	Anode
LDS-A812RI-SUG	574	7000	2.2	2.6	Green	Anode
LDS-A814RI-SI	636	15,000	2.0	2.6	Red	Anode
LDS-A8167RI-USB	470	6000	3.5	4.0	Blue	Anode
LDS-C812RI	565	2500	2.2	2.6	Green	Cathode
LDS-C814RI	635	2500	2.0	2.5	Red	Cathode
LDS-C816RI	660	8000	1.7	2.2	Red	Cathode
LDS-C812RI-SUG	574	7000	2.2	2.6	Green	Cathode
LDS-C814RI-SI	636	15,000	2.0	2.6	Red	Cathode
LDS-C8167RI-USB	470	6000	3.5	4.0	Blue	Cathode

1.0" single digit



Part Number	Wave Length (nm)	Brightness (μcd) @ 10mA	Vf (typ) 10mA*	Vf (max) 10mA*	Emitted Color	Polarity (common)
LDS-AA12RI	565	2500	4.4 2.2	5.2 2.6	Green	Anode
LDS-AA14RI	635	2500	4.0 2.0	5.0 2.5	Red	Anode
LDS-AA16RI	660	8000	3.4 1.7	4.4 2.2	Red	Anode
LDS-AA12RI-SUG	574	7000	4.4 2.2	5.2 2.6	Green	Anode
LDS-AA14RI-SI	636	15,000	4.0 2.0	5.0 2.6	Red	Anode
LDS-AA17RI-USB	470	6000	7.0 3.5	8.0 4.0	Blue	Anode
LDS-CA12RI	565	2500	4.4 2.2	5.2 2.6	Green	Cathode
LDS-CA14RI	635	2500	4.0 2.0	5.0 2.5	Red	Cathode
LDS-CA16RI	660	8000	3.4 1.7	4.4 2.2	Red	Cathode
LDS-CA12RI-SUG	574	7000	4.4 2.2	5.2 2.6	Green	Cathode
LDS-CA14RI-SI	636	15,000	4.0 2.0	5.0 2.6	Red	Cathode
LDS-CA17RI-USB	470	6000	7.0 3.5	8.0 4.0	Blue	Cathode

Second value for single chip in decimal point



USA/Canada +1-800-278-5666
Europe +49-6081-964380
Asia +886-3-5821124



www.lumex.com



USA/Canada +1-847-359-8904
Europe +49-6081-964381
Asia +886-3-5821154

X-ON Electronics

Largest Supplier of Electrical and Electronic Components

Click to view similar products for [LED Displays & Accessories](#) category:

Click to view products by [Lumex](#) manufacturer:

Other Similar products are found below :

[LTC-4624JD](#) [LTC-4627WC](#) [LTC-571P](#) [LTM-8522G](#) [LTP-4323P](#) [LTP-747G](#) [LTS-3361JG-06](#) [1668](#) [HT-F196NB-5323](#) [IPD2131-27](#) [SA03-12EWA](#) [LDQ-N514RI](#) [LDS-A3506RD](#) [LDS-A3926RI](#) [SC03-12HDB](#) [SI-B9T151550WW](#) [SI-B9V171550WW](#) [SLC-3PF-WL](#) [SLDN-32M-G1624](#) [LTC-2621JD](#) [LTC-2623WC](#) [LTC-4627JD](#) [LTD-322G](#) [LTD-482PC](#) [LTP-1057AHR](#) [LTP-1457AKR](#) [LTP-3784G-01](#) [LTS-313AP](#) [LTS-4812SKR-P](#) [LTS-547AE](#) [LTS-6780P](#) [446010401-3](#) [HV-7W30-6829](#) [DA43-11GWA](#) [LDD-A516RI-17](#) [LDD-E305RI](#) [LDQ-N3402RI](#) [LDQ-N3606RI](#) [LDT-M2804RI](#) [86004CB830](#) [LTP-3862JD](#) [LTP-2088AKD](#) [LTD-6740P](#) [LTS-6880Y](#) [LDS-SMC3002RISUGTR](#) [LTC-2623E](#)
[CC25-12YWA](#) [LDM-6432-P3-UR-1](#) [SR420312N/32](#)