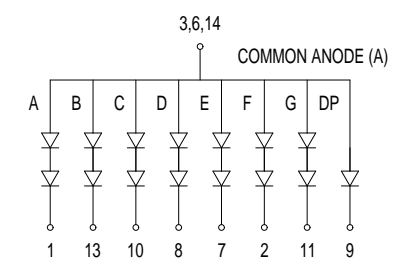
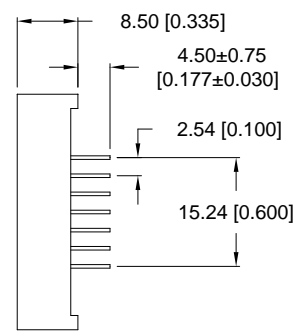
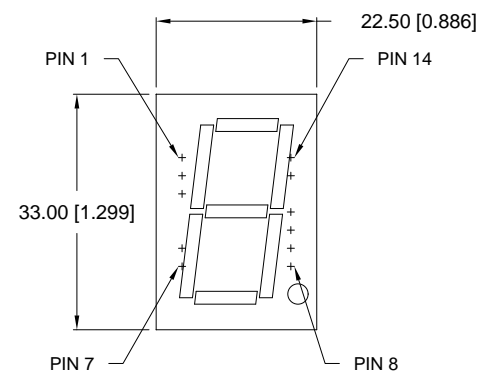


PART NUMBER  
**LDS-(A+C)A10XRX**

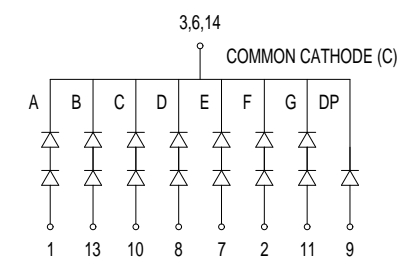
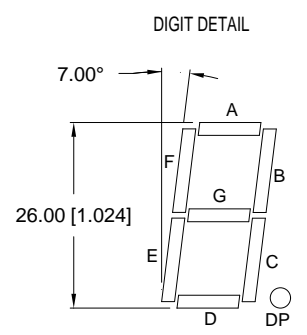
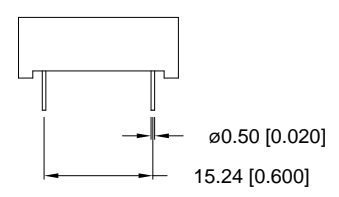
REV.

REV. E.C.N. NUMBER AND REVISION COMMENTS

DATE



NOTE: NO PIN 4,5, & 12



NOTE: NO PIN 4,5, & 12

\*UNLESS OTHERWISE SPECIFIED TOLERANCE IS ±0.25mm (±0.010")

REV. PART NUMBER  
**LDS-(A+C)A10XRX**

**CONFIDENTIAL INFORMATION**  
THE INFORMATION CONTAINED IN THIS DOCUMENT IS THE PROPERTY OF LUMEX INC. EXCEPT AS SPECIFICALLY AUTHORIZED IN WRITING BY LUMEX INC., THE HOLDER OF THIS DOCUMENT SHALL KEEP ALL INFORMATION CONTAINED HEREIN CONFIDENTIAL AND SHALL PROTECT SAME IN WHOLE OR IN PART FROM DISCLOSURE AND DISSEMINATION TO ALL THIRD PARTIES.



290 E. HELLEN ROAD  
PALATINE, ILLINOIS 60067  
PHONE: 1-847-359-2790  
WEB: HTTP://WWW.LUMEX.COM

1.0" SEVEN SEGMENT DISPLAY, 'X' COLOR CHIPS,  
'X' COLOR FACE, 'X' COLOR SEGMENTS.

**RELIABILITY NOTE**  
OUR MANY YEARS OF EXPERIENCE DATA ACCUMULATION INDICATE THAT SOLDER HEAT IS A MAJOR CAUSE OF EARLY AND FUTURE FAILURE. PLEASE PAY ATTENTION TO YOUR SOLDERING PROCESS.

DRAWN BY:  
BC

CHECKED BY:

APPROVED BY:

DATE: 12-22-98  
PAGE: 1 OF 1  
SCALE: N/A

- [Order Samples](#)
  - [Stock/Price Request](#)
  - [Sales and Tech Support](#)
3. [1 -4 Character Height Numeric Displays](#)
4. [1.0" Large Numeric Displays - RHD](#)

[View](#)

Image next to part no. indicates cad file.

Lumex drawings are in PDF format. If you don't have Adobe Acrobat, click on this icon to

[download a free copy](#)



Lumex PN	lambda p (nm)	Iv microCd @10mA	Color	Comm. pin	Face	Seg
LDS-AA102RI <a href="#">View</a>	565	6000	Green <input type="checkbox"/>	(+)	Grey <input type="checkbox"/>	White <input type="checkbox"/>
LDS-AA103RI <a href="#">View</a>	585	6000	Yellow <input type="checkbox"/>	(+)	Grey <input type="checkbox"/>	White <input type="checkbox"/>
LDS-AA104RI <a href="#">View</a>	625	8000	Red <input type="checkbox"/>	(+)	Grey <input type="checkbox"/>	White <input type="checkbox"/>
LDS-AA106RI <a href="#">View</a>	660	20000	Sup Red <input type="checkbox"/>	(+)	Grey <input type="checkbox"/>	White <input type="checkbox"/>
LDS-CA102RI <a href="#">View</a>	565	6000	Green <input type="checkbox"/>	(-)	Grey <input type="checkbox"/>	White <input type="checkbox"/>
LDS-CA103RI <a href="#">View</a>	585	6000	Yellow <input type="checkbox"/>	(-)	Grey <input type="checkbox"/>	White <input type="checkbox"/>
LDS-CA104RI <a href="#">View</a>	625	8000	Red <input type="checkbox"/>	(-)	Grey <input type="checkbox"/>	White <input type="checkbox"/>
LDS-CA106RI <a href="#">View</a>	660	20000	Sup Red <input type="checkbox"/>	(-)	Grey <input type="checkbox"/>	White <input type="checkbox"/>

## Applications

[\[top of page\]](#)

- Instrument Panels
- Test Equipment
- Score Keeping Boards

[Home](#) | [What's New](#) | [Product Gallery](#) | [Product Search](#) | [X-Ref Search Engine](#) | [Tech Notes](#) | [Sales and Tech Support](#) | [Corporate Info](#)

290 East Helen Road Palatine, IL 60067 Telephone: (847) 359-2790 Facsimile: (847) 359-8904 E-mail us at [sales@lumex.com](mailto:sales@lumex.com)

© 1997-2001 Lumex, Inc.

## X-ON Electronics

Largest Supplier of Electrical and Electronic Components

*Click to view similar products for [LED Displays & Accessories](#) category:*

*Click to view products by [Lumex](#) manufacturer:*

Other Similar products are found below :

[LTC-4624JD](#) [LTC-4627WC](#) [LTC-571P](#) [LTM-8522G](#) [LTP-4323P](#) [LTP-747G](#) [LTS-3361JG-06](#) [1668](#) [HT-F196NB-5323](#) [IPD2131-27](#) [SA03-12EWA](#) [LDQ-N514RI](#) [LDS-A3506RD](#) [LDS-A3926RI](#) [SC03-12HDB](#) [SI-B9T151550WW](#) [SI-B9V171550WW](#) [SLC-3PF-WL](#) [SLDN-32M-G1624](#) [LTC-2621JD](#) [LTC-2623WC](#) [LTC-4627JD](#) [LTD-322G](#) [LTD-482PC](#) [LTP-1057AHR](#) [LTP-1457AKR](#) [LTP-3784G-01](#) [LTS-313AP](#) [LTS-4812SKR-P](#) [LTS-547AE](#) [LTS-6780P](#) [446010401-3](#) [HV-7W30-6829](#) [DA43-11GWA](#) [LDD-A516RI-17](#) [LDD-E305RI](#) [LDQ-N3402RI](#) [LDQ-N3606RI](#) [LDT-M2804RI](#) [86004CB830](#) [LTP-3862JD](#) [LTP-2088AKD](#) [LTD-6740P](#) [LTS-6880Y](#) [LDS-SMC3002RISUGTR](#) [LTC-2623E](#)  
[CC25-12YWA](#) [LDM-6432-P3-UR-1](#) [SR420312N/32](#)