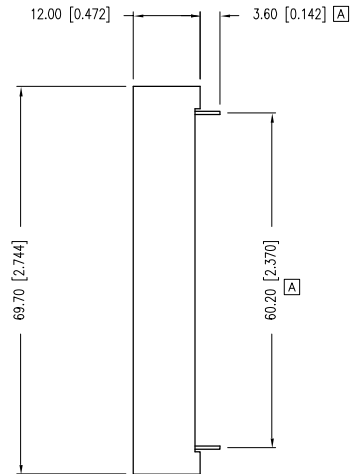
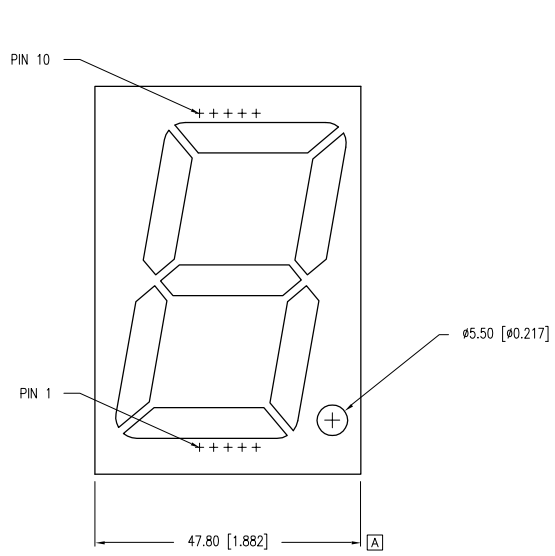


|             |                                     |      |      |
|-------------|-------------------------------------|------|------|
| PART NUMBER | LDS-CD16RI                          | REV. | A    |
| DATE        | E.C.N. NUMBER AND REVISION COMMENTS |      | REV. |
| 11.06.10    | E.C.N. #11675.                      |      | A    |



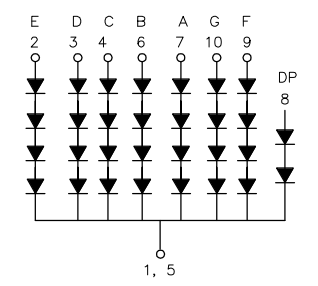
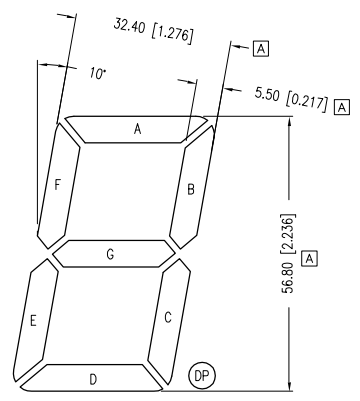
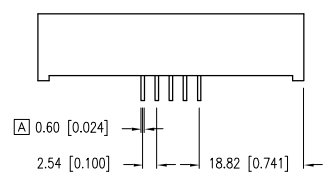
ELECTRO-OPTICAL CHARACTERISTICS  $T_A=25^{\circ}\text{C}$   $I_f=10\text{mA}$

| PARAMETER          | MIN                  | TYP  | MAX | UNITS          | TEST COND             |
|--------------------|----------------------|------|-----|----------------|-----------------------|
| PEAK WAVELENGTH    |                      | 660  |     | nm             |                       |
| FORWARD VOLTAGE    |                      | 6.8  | 8.8 | V <sub>f</sub> |                       |
| REVERSE VOLTAGE    | 5.0                  |      |     | V <sub>r</sub> | I <sub>r</sub> =100uA |
| AXIAL INTENSITY    |                      | 22.5 |     | mcd            | I <sub>f</sub> =10mA  |
| EMITTED COLOR:     | RED                  |      |     |                |                       |
| FACE COLOR:        | GRAY                 |      |     |                |                       |
| EPOXY LENS FINISH: | MILKY WHITE DIFFUSED |      |     |                |                       |

LIMITS OF SAFE OPERATION AT 25°C PER CHIP

| PARAMETER             | MAX        | UNITS      |
|-----------------------|------------|------------|
| PEAK FORWARD CURRENT* | 80         | mA         |
| STEADY CURRENT        | 20         | mA         |
| POWER DISSIPATION     | 240        | mW         |
| DERATE FROM 25°C      | -1.2       | mW/°C      |
| OPERATING TEMP.       | -40 TO +85 | °C         |
| STORAGE TEMP.         | -40 TO +85 | °C         |
| SOLDERING TEMP.       | +260       | °C         |
| 2.0mm FROM BODY       |            | 3 SEC. MAX |

\* t<10uS



\*UNLESS OTHERWISE SPECIFIED TOLERANCES PER DECIMAL PRECISION ARE: X=±1 (±0.039), X.X=±0.5 (±0.020), X.XX=±0.25 (±0.010), X.XXX=±0.127 (±0.005). LEAD SIZE=±0.05 (±0.002), LEAD LENGTH=±0.75 (±0.030). MIN= +DECIMAL PRECISION -0.00, MAX.= +0.00 -DECIMAL PRECISION



290 E. HELEN ROAD  
 PALATINE, IL 60067-6976  
 PHONE: +1.847.359.2790  
 FAX: +1.847.359.6538  
 WEB: WWW.LUMEX.COM

2.3" RED 7 SEGMENT DISPLAY

\*\*THE SPECIFICATIONS MAY CHANGE AT ANY TIME WITHOUT NOTICE DUE TO NEW MATERIALS OR PRODUCT IMPROVEMENT.\*\*

CONFIDENTIAL INFORMATION

THE INFORMATION CONTAINED IN THIS DOCUMENT IS THE PROPERTY OF LUMEX INC. EXCEPT AS SPECIFICALLY AUTHORIZED IN WRITING BY LUMEX INC., THE HOLDER OF THIS DOCUMENT SHALL KEEP ALL INFORMATION CONTAINED HEREIN CONFIDENTIAL AND SHALL PROTECT SAME IN WHOLE OR IN PART FROM DISCLOSURE AND DISSEMINATION TO ALL THIRD PARTIES.

|        |           |           |    |
|--------|-----------|-----------|----|
| DATE:  | 03.25.97  | DRAWN BY: | MS |
| PAGE:  | 1 OF 1    | CHKD BY:  | KF |
| SCALE: |           | APRVD BY: | BC |
| UNIT:  | mm [INCH] |           |    |

## X-ON Electronics

Largest Supplier of Electrical and Electronic Components

*Click to view similar products for [LED Displays & Accessories](#) category:*

*Click to view products by [Lumex](#) manufacturer:*

Other Similar products are found below :

[LTC-4624JD](#) [LTC-4627WC](#) [LTC-571P](#) [LTM-8522G](#) [LTP-4323P](#) [LTP-747G](#) [LTS-3361JG-06](#) [1668](#) [HT-F196NB-5323](#) [IPD2131-27](#) [SA03-12EWA](#) [LDQ-N514RI](#) [LDS-A3506RD](#) [LDS-A3926RI](#) [SC03-12HDB](#) [SI-B9T151550WW](#) [SI-B9V171550WW](#) [SLC-3PF-WL](#) [SLDN-32M-G1624](#) [LTC-2621JD](#) [LTC-2623WC](#) [LTC-4627JD](#) [LTD-322G](#) [LTD-482PC](#) [LTP-1057AHR](#) [LTP-1457AKR](#) [LTP-3784G-01](#) [LTS-313AP](#) [LTS-4812SKR-P](#) [LTS-547AE](#) [LTS-6780P](#) [446010401-3](#) [HV-7W30-6829](#) [DA43-11GWA](#) [LDD-A516RI-17](#) [LDD-E305RI](#) [LDQ-N3402RI](#) [LDQ-N3606RI](#) [LDT-M2804RI](#) [86004CB830](#) [LTP-3862JD](#) [LTP-2088AKD](#) [LTD-6740P](#) [LTS-6880Y](#) [LDS-SMC3002RISUGTR](#) [LTC-2623E](#)  
[CC25-12YWA](#) [LDM-6432-P3-UR-1](#) [SR420312N/32](#)