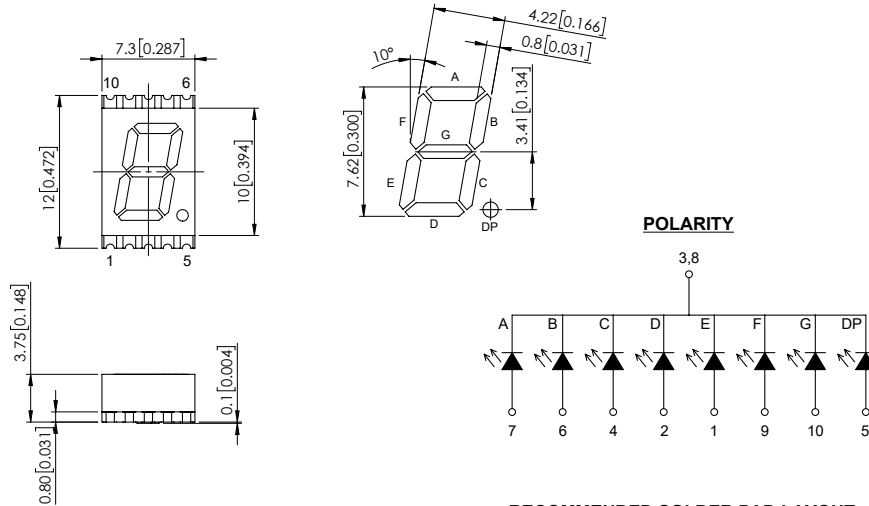
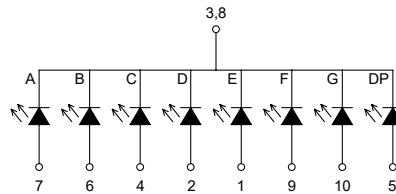


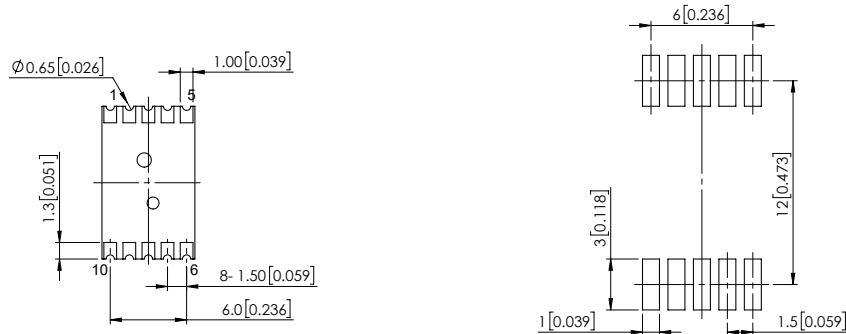
<b>PART NUMBER</b>	LDS-SMC3002RISUGTR	<b>REV</b>	B
<b>REV</b>	<b>E.C.N. NUMBER AND REVISION COMMENTS</b>		<b>DATE</b>
A	E.C.N. #11446.		09.27.07
B	ECN-Lumex201700063		08.31.17



**POLARITY**



**RECOMMENDED SOLDER PAD LAYOUT**



**ELECTRO-OPTICAL CHARACTERISTIC TA=25°C**

PARAMETER	MIN	TYP	MAX	UNITS	TEST COND
PEAK WAVELENGTH	-	574	-	nm	If=10mA
FORWARD VOLTAGE	-	2.0	2.45	Vf	If=10mA
REVERSE VOLTAGE	-	-	5	Vr	Ir=10uA
LUMINOUS INTENSITY	-	3100	-	mcd	If=10mA
EMITTED COLOR	GREEN				
FACE COLOR	GRAY				
SEGMENT COLOR	MILKY WHITE DIFFUSED				

**ABSOLUTE MAXIMUM RATINGS TA=25°C**

PARAMETER	MAX	UNITS
PEAK FORWARD CURRENT*	150	mA
FORWARD CURRENT	30	mA
POWER DISSIPATION	75	mW
STORAGE TEMPERATURE	-40 TO +85	°C
OPERATING TEMPERATURE	-40 TO +85	°C

\*t<10us

**NOTE:**

1. RoHS COMPLIANT.

MOISTURE SENSITIVE DEVICE  
PER JEDEC LEVEL 2a STANDARDS

STATIC DEVICE FOLLOW PROPER  
E.S.D. HANDLING PROCEDURES  
WHEN WORKING WITH THIS PART

\*UNLESS OTHERWISE SPECIFIED TOLERANCES PER DECIMAL PRECISION ARE: X=±1 (±0.039), X.X=±0.5 (±0.020), X.XX=±0.25 (±0.010), X.XXX=±0.127 (±0.005). LEAD SIZE=±0.05 (±0.002), LEAD LENGTH=±0.75 (±0.030), MIN=<sup>+0.00</sup>DECIMAL PRECISION, MAX=<sup>-0.00</sup>DECIMAL PRECISION



425 N. GARY AVE.  
CAROL STREAM, IL 60188  
PHONE : 800-278-5666  
FAX : 830-315-2150  
WEB : WWW.LUMEX.COM

12(L)\*7.3(W)\*3.75(H)mm, 0.30" SMT 7 SEGMENT DISPLAY, COMMON CATHODE, 574nm AlInGaP GREEN LEDS, GRAY FACE WITH SEGMENTS, TAPE & REEL.

"THE SPECIFICATIONS MAY CHANGE AT ANY TIME WITHOUT NOTICE DUE TO NEW MATERIALS OR PRODUCT IMPROVEMENT."

CONFIDENTIAL INFORMATION  
THE INFORMATION CONTAINED IN THIS DOCUMENT IS THE PROPERTY OF LUMEX INC. EXCEPT AS SPECIFICALLY AUTHORIZED IN WRITING BY LUMEX INC., THE HOLDER OF THIS DOCUMENT SHALL KEEP ALL INFORMATION CONTAINED HEREIN CONFIDENTIAL AND SHALL PROTECT SAME IN WHOLE OR IN PART FROM DISCLOSURE AND DISSEMINATION TO ALL THIRD PARTIES.

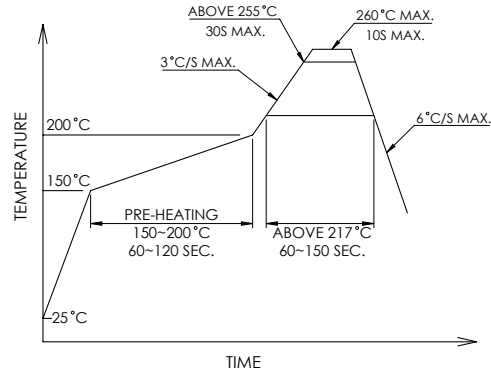
DATE : 2017.08.31 DRAWN BY : C.C.

PAGE : 1 OF 2 CHKD BY : G.Y.

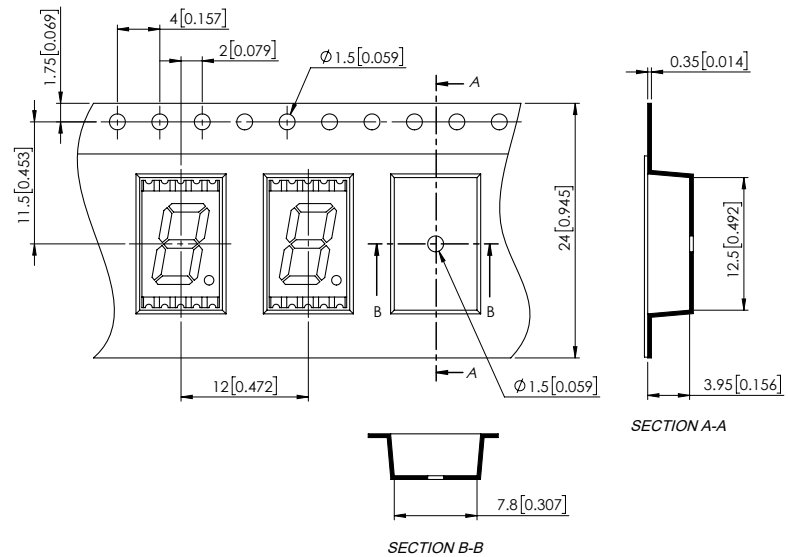
SCALE : NTF APRVD BY : E.C.

UNIT : mm [INCH]

## PROFILE



## CARRIER TAPE DIMENSION



\*UNLESS OTHERWISE SPECIFIED TOLERANCES PER DECIMAL PRECISION ARE: X=±1 (±0.039), X.X=±0.5 (±0.020), X.XX=±0.25 (±0.010), X.XXX=±0.127 (±0.005), LEAD SIZE=±0.05 (±0.002), LEAD LENGTH=±0.75 (±0.030), MIN= <sup>+0.00</sup>DECIMAL PRECISION <sub>-0.00</sub> MAX = <sup>+0.00</sup>DECIMAL PRECISION <sub>-0.00</sub>



425 N. GARY AVE.  
CAROL STREAM, IL 60188  
PHONE : 800-278-5666  
FAX : 830-315-2150  
WEB : WWW.LUMEX.COM

12(L)\*7.3(W)\*3.75(H)mm, 0.30" SMT 7 SEGMENT DISPLAY, COMMON CATHODE, 574nm AllnGaP GREEN LEDS, GRAY FACE WITH SEGMENTS, TAPE & REEL.

"THE SPECIFICATIONS MAY CHANGE AT ANY TIME WITHOUT NOTICE DUE TO NEW MATERIALS OR PRODUCT IMPROVEMENT."

## CONFIDENTIAL INFORMATION

THE INFORMATION CONTAINED IN THIS DOCUMENT IS THE PROPERTY OF LUMEX INC. EXCEPT AS SPECIFICALLY AUTHORIZED IN WRITING BY LUMEX INC., THE HOLDER OF THIS DOCUMENT SHALL KEEP ALL INFORMATION CONTAINED HEREIN CONFIDENTIAL AND SHALL PROTECT SAME IN WHOLE OR IN PART FROM DISCLOSURE AND DISSEMINATION TO ALL THIRD PARTIES.

DATE : 2017.08.31

DRAWN BY : C.C.

PAGE : 2 OF 2

CHKD BY : G.Y.

SCALE : NTF

APRVD BY : E.C.

UNIT : mm [INCH]



## X-ON Electronics

Largest Supplier of Electrical and Electronic Components

*Click to view similar products for [LED Displays & Accessories](#) category:*

*Click to view products by [Lumex](#) manufacturer:*

Other Similar products are found below :

[LTC-4624JD](#) [LTC-4627WC](#) [LTC-571P](#) [LTM-8522G](#) [LTP-4323P](#) [LTP-747G](#) [LTS-3361JG-06](#) [1668](#) [HT-F196NB-5323](#) [IPD2131-27](#) [SA03-12EWA](#) [LDQ-N514RI](#) [LDS-A3506RD](#) [LDS-A3926RI](#) [SC03-12HDB](#) [SI-B9T151550WW](#) [SI-B9V171550WW](#) [SLC-3PF-WL](#) [SLDN-32M-G1624](#) [LTC-2621JD](#) [LTC-2623WC](#) [LTC-4627JD](#) [LTD-322G](#) [LTD-482PC](#) [LTP-1057AHR](#) [LTP-1457AKR](#) [LTP-3784G-01](#) [LTS-313AP](#) [LTS-4812SKR-P](#) [LTS-547AE](#) [LTS-6780P](#) [446010401-3](#) [HV-7W30-6829](#) [DA43-11GWA](#) [LDD-A516RI-17](#) [LDD-E305RI](#) [LDQ-N3402RI](#) [LDQ-N3606RI](#) [LDT-M2804RI](#) [86004CB830](#) [LTP-3862JD](#) [LTP-2088AKD](#) [LTD-6740P](#) [LTS-6880Y](#) [LDS-SMC3002RISUGTR](#) [LTC-2623E](#)  
[CC25-12YWA](#) [LDM-6432-P3-UR-1](#) [SR420312N/32](#)