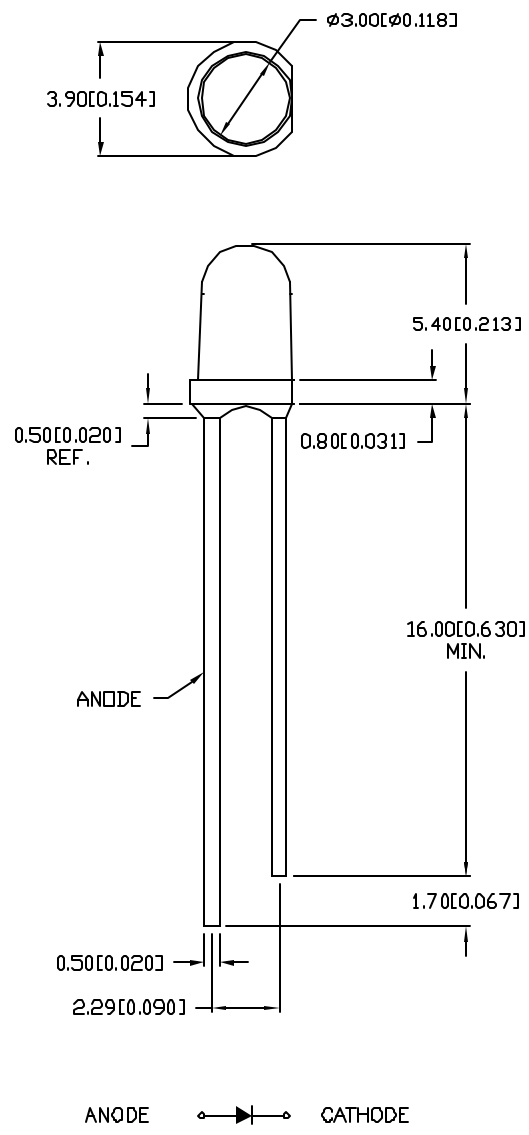


DATE	REVISIONS	REV
12-18-97	E.C.N. #10BRDR./	A

DRAWING NUMBER	REV
OED-SP-7L	A

ELECTRO-OPTICAL CHARACTERISTICS $T_A = 25^\circ\text{C}$

PARAMETER	SYMBOL	TEST CONDITION	MIN	TYP	MAX	UNIT
OPEN CIRCUIT VOLTAGE	V_{oc}	$E_e = 0.5 \text{ mw/cm}^2$		0.39		V
SHORT CIRCUIT CURRENT	I_{sc}	$E_e = 0.5 \text{ mw/cm}^2$		30		μA
DARK CURRENT	I_d	$V_r = 10\text{V}$			10	nA
		$E_e = 0.5 \text{ mw/cm}^2$				
TERMINAL CAPACITANCE	C_t	$V_r = 3\text{V}, F = 1\text{MHz}$		5		pF
RESPONSE TIME	T_r/T_f	$V_r = 10\text{V}, R_l = 1000\Omega$		6/6		nS
SPECTRAL SENSITIVITY	λ			500~1000		nm
PEAK WAVELENGTH	λ_p			940		nm
HALF ANGLE	$\Delta\theta$			± 8		DEG
LENS COLOR:	CLEAR					



LIMITS OF SAFE OPERATION AT 25°C

PARAMETER	MAX	UNITS
REVERSE VOLTAGE	20	V
POWER DISSIPATION	20	mW
OPERATING TEMP.	-30 TO +70	$^\circ\text{C}$
STORAGE TEMP.	-40 TO +80	$^\circ\text{C}$
SOLDERING TEMP.	+260	$^\circ\text{C}$
2.0mm FROM BODY	3 SEC. MAX	

RELIABILITY NOTE

OUR MANY YEARS OF EXPERIENCE DATA ACCUMULATION INDICATE THAT SOLDER HEAT IS A MAJOR CAUSE OF EARLY AND FUTURE FAILURE. PLEASE PAY ATTENTION TO YOUR SOLDERING PROCESS.



290 E. HELLEN ROAD
PALATINE, ILLINOIS 60067
(847) 359-2790

CONFIDENTIAL INFORMATION
THE INFORMATION CONTAINED IN THIS DOCUMENT IS THE PROPERTY OF LUMEX INCORPORATED. EXCEPT AS SPECIFICALLY AUTHORIZED IN WRITING BY LUMEX INCORPORATED, THE HOLDER OF THIS DOCUMENT SHALL KEEP ALL INFORMATION CONTAINED HEREIN CONFIDENTIAL AND SHALL PROTECT SAME IN WHOLE OR IN PART FROM DISCLOSURE AND DISSEMINATION TO ALL THIRD PARTIES.

DATE: 11-9-94	DWN:	CHK'D:	APPD:
SCALE: N/A			

PN JUNCTION SILICON
PHOTODIODE

PAGE 1 OF 1	DRAWING NUMBER OED-SP-7L	REV A
-------------	-----------------------------	----------

UNLESS OTHERWISE SPECIFIED TOLERANCE IS $\pm 0.25\text{mm}$ ($\pm 0.010''$)

X-ON Electronics

Largest Supplier of Electrical and Electronic Components

Click to view similar products for [Photodiodes](#) category:

Click to view products by [Lumex](#) manufacturer:

Other Similar products are found below :

[LTR-526AD](#) [OED-SP-7L](#) [LTR-536AB](#) [LTR-743DBM1-TA](#) [67-21SYGC-S349-TR8](#) [SFH 2200 A01](#) [HFD3081-108-XBA](#) [BPW 34 S E9601](#)
[SFH 2713](#) [SFH 2703](#) [LTR-546AD](#) [BPV23FL](#) [BPW 34 FAS](#) [BPW 34 FS](#) [IG17X1000S4I](#) [IG22X250S4I](#) [VTD205H](#) [VTD205KH](#)
[VTP1220FBH](#) [VTP1232FH](#) [VTP4085H](#) [SFH 2400](#) [OP913WSL](#) [OPF794](#) [PD70-01C/TR7](#) [LTR-536AD](#) [VTP8651H](#) [VTD206KH](#) [VTB1013H](#)
[BPV23NF](#) [OP905](#) [LTR-516AD](#) [BPW 34 FS-Z](#) [VTD34FH](#) [SFH 2500 FA](#) [SFH 213 FA](#) [PD15-22C/TR8](#) [VEMD5510C](#) [SFH 2200](#)
[VEMD5510CF](#) [APS5130PD7C-P22](#) [SAH230M](#) [SAH230M2](#) [SAH500M2](#) [BP 104 FS](#) [BPV22F-AS12](#) [BPW 21](#) [BPW 34 SR-Z](#) [BPX 65](#)
[HSDL-5400#011](#)