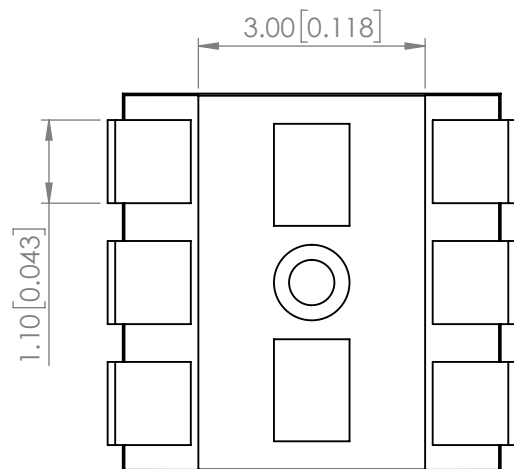
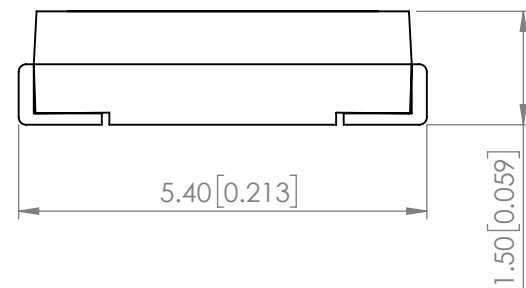
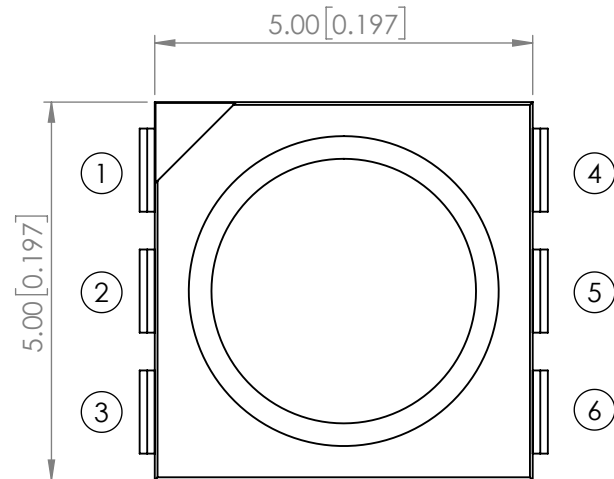
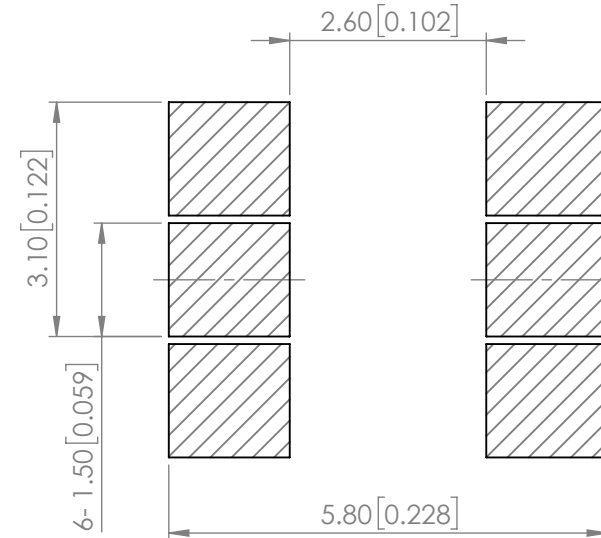


PART NUMBER		SMD-LX5050RGB-TR	REV	A
REV	E.C.N. NUMBER AND REVISION COMMENTS			DATE
A	ECN-Lumex201800183			11.27.18



RECOMMENDED SOLDER PAD LAYOUT



PIN ASSIMENT

PIN	SYMBOL	DESCRIPTION
1	VSS	GROUND
2	NA	NA
3	DIN	SIGNAL INPUT
4	DOUT	SIGNAL OUTPUT
5	NA	NA
6	VDD	POWER SUPPLY

ELECTRO-OPTICAL CHARACTERISTIC TA=25°C

PARAMETER		MIN	TYP	MAX	UNITS	TEST COND
SUPPLY VOLTAGE	VDD	-	5	-	V	-
INPUT VOLTAGE(HIGH)	VIH	3.3	-	-	V	DIN, SET
INPUT VOLTAGE(LOW)	VIL	-	-	0.3VDD	V	DIN, SET
DOMINANT WAVELENGTH	R	-	625	-	nm	If=5mA
	G	-	530	-		
	B	-	470	-		
LUMINOUS INTENSITY	R	-	185	-	mcd	If=5mA
	G	-	590	-		
	B	-	150	-		
VIEWING ANGLE		-	120	-	2x theta1/2	If=5mA
EPOXY LENS FINISH	WATER CLEAR					

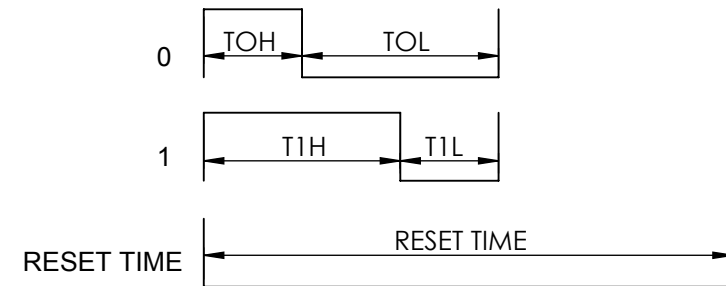
ABSOLUTE MAXIMUM RATINGS TA=25°C

PARAMETER		MIN	TYP	MAX	UNITS
SUPPLY VOLTAGE	VDD	4.2	-	5.5	V
STORAGE TEMPERATURE		-40 TO +90			°C
OPERATING TEMPERATURE		-25 TO +85			°C
SOLDERING TEMPERATURE		3 SEC. MAX. @260			°C

**MOISTURE SENSITIVE DEVICE
PER JEDEC LEVEL 3 STANDARDS**

*UNLESS OTHERWISE SPECIFIED TOLERANCES PER DECIMAL PRECISION ARE: X=±1 (±0.039), X.X=±0.5 (±0.020), X.XX=±0.25 (±0.010), X.XXX=±0.127 (±0.005). LEAD SIZE=±0.05 (±0.002), LEAD LENGTH=±0.75 (±0.030). MIN= ^{+DECIMAL PRECISION}/_{-0.00} MAX= ^{+0.00}/_{-DECIMAL PRECISION}

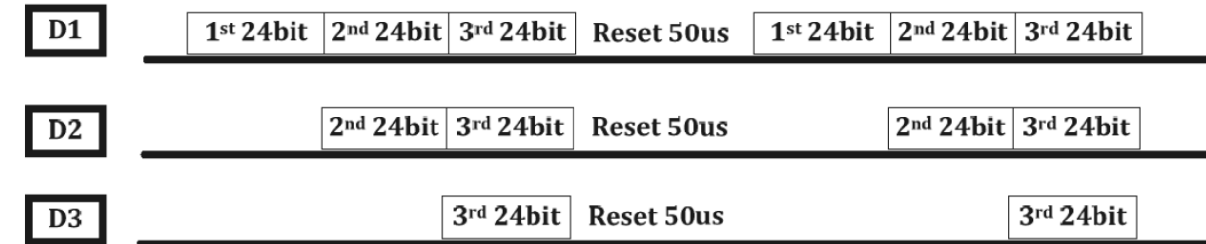
TIMING WAVE FORM



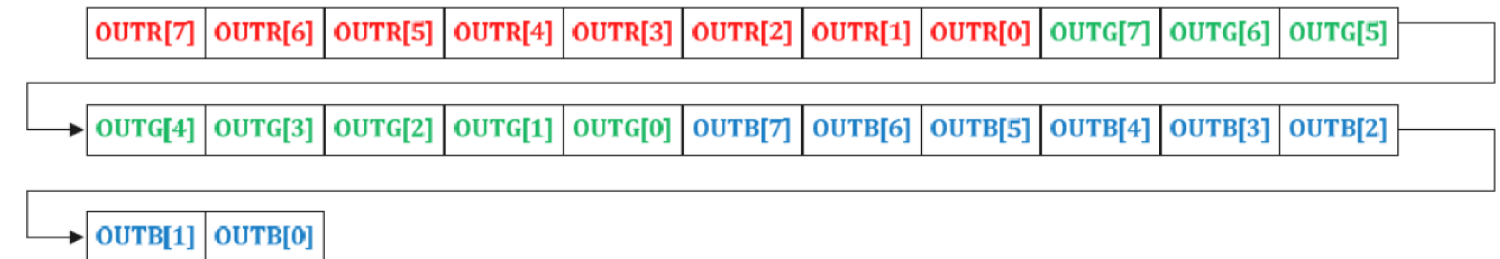
DATA TRANSFER TIME ($T_H+T_L=1.2\mu s \pm 600ns$)

ITEM	DESCRIPTION	TYP.	ALLOWANCE
T0H	0 CODE, HIGH VOLTAGE TIME	0.3us	$\pm 80ns$
T1H	1 CODE, HIGH VOLTAGE TIME	0.9us	$\pm 80ns$
T0L	0 CODE, LOW VOLTAGE TIME	0.9us	$\pm 80ns$
T1L	1 CODE, LOW VOLTAGE TIME	0.3us	$\pm 80ns$
RES	LOW VOLTAGE TIME	ABOVE 50us	-

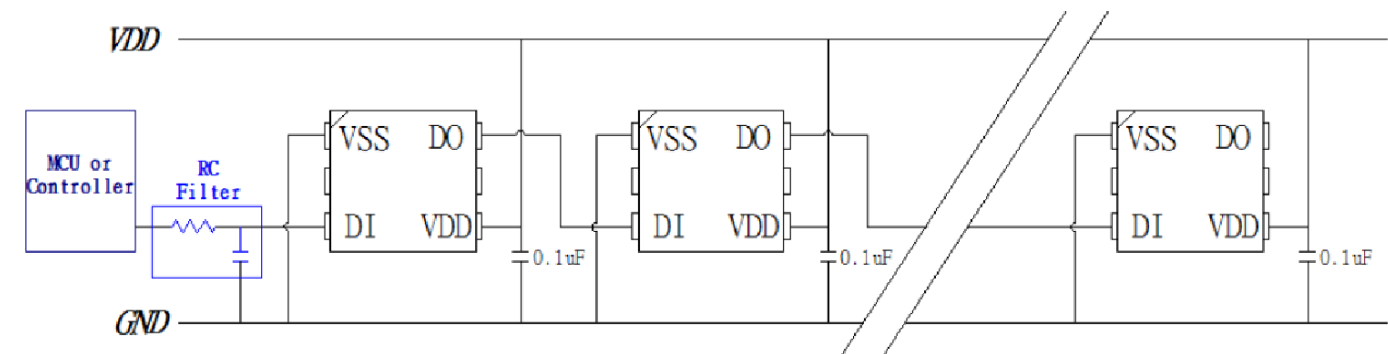
DATA COMMUNICATION




SINGLE DATA IN 24BIT FOR RGB



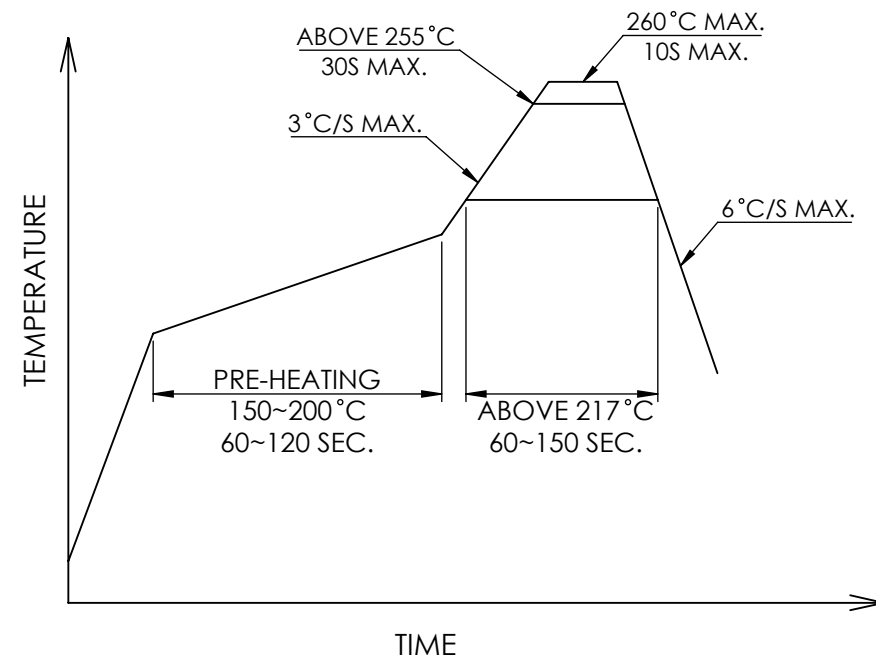
5V APPLICATION CIRCUIT



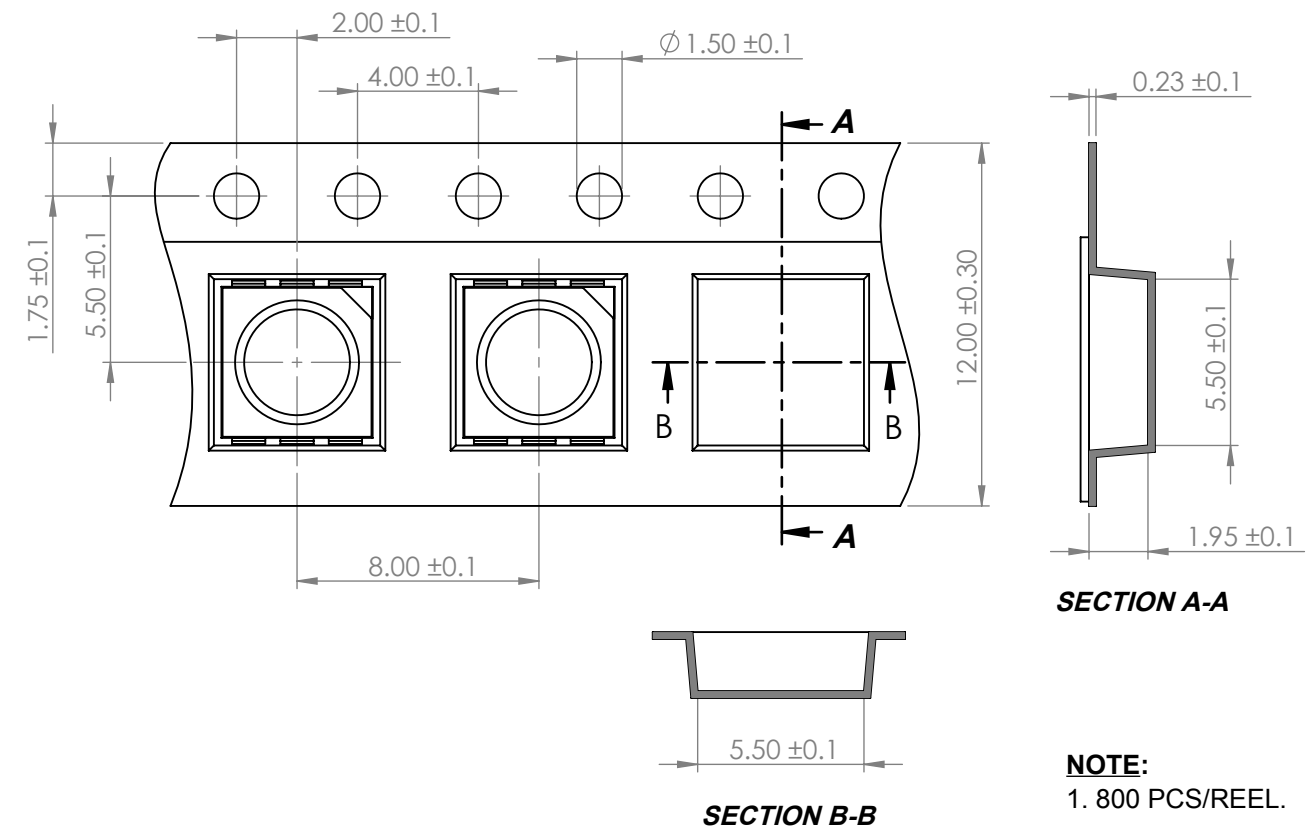
*UNLESS OTHERWISE SPECIFIED TOLERANCES PER DECIMAL PRECISION ARE: X=±1 (±0.039), X.X=±0.5 (±0.020), X.XX=±0.25 (±0.010), X.XXX=±0.127 (±0.005). LEAD SIZE=±0.05 (±0.002), LEAD LENGTH=±0.75 (±0.030). MIN= ^{+DECIMAL PRECISION}/_{-0.00} MAX= ^{+0.00}/_{-DECIMAL PRECISION}

 <p>425 N. GARY AVE. CAROL STREAM, IL 60188 PHONE : 800-278-5666 FAX : 630-315-2150 WEB : WWW.LUMEX.COM</p>	5.0(L)*5.0(W)*1.5(H)mm, SURFACE MOUNT LED, RGB FULL COLOR, 3-CHANNELs LED DRIVER WITH 8 bit PWM LINEAR CONTROL, WATER CLEAR LENS,TAPE & REEL	DATE : 2018.10.23	DRAWN BY : C.C.	
	THE SPECIFICATIONS MAY CHANGE AT ANY TIME WITHOUT NOTICE.	PAGE : 2 OF 4	CHKD BY : E.C.	
	CONFIDENTIAL INFORMATION	SCALE : NTF	APRVD BY : G.Y.	
	THE INFORMATION CONTAINED IN THIS DOCUMENT IS THE PROPERTY OF LUMEX INC. EXCEPT AS SPECIFICALLY AUTHORIZED IN WRITING BY LUMEX INC., THE HOLDER OF THIS DOCUMENT SHALL KEEP ALL INFORMATION CONTAINED HEREIN CONFIDENTIAL AND SHALL PROTECT SAME IN WHOLE OR IN PART FROM DISCLOSURE AND DISSEMINATION TO ALL THIRD PARTIES.	UNIT : mm [INCH]		Pb

PROFILE



CARRIER TAPE DIMENSION




SECTION A-A

SECTION B-B

NOTE:
1. 800 PCS/REEL.

*UNLESS OTHERWISE SPECIFIED TOLERANCES PER DECIMAL PRECISION ARE: X=±1 (±0.039), X.X=±0.5 (±0.020), X.XX=±0.25 (±0.010), X.XXX=±0.127 (±0.005). LEAD SIZE=±0.05 (±0.002), LEAD LENGTH=±0.75 (±0.030). MIN= ^{+DECIMAL PRECISION}/_{-0.00} MAX.= ^{+0.00}/_{-DECIMAL PRECISION}

 <p>425 N. GARY AVE. CAROL STREAM, IL 60188 PHONE : 800-278-5666 FAX : 630-315-2150 WEB : WWW.LUMEX.COM</p>	5.0(L)*5.0(W)*1.5(H)mm, SURFACE MOUNT LED, RGB FULL COLOR, 3-CHANNELs LED DRIVER WITH 8 bit PWM LINEAR CONTROL, WATER CLEAR LENS,TAPE & REEL	DATE : 2018.10.23	DRAWN BY : C.C.	
	THE SPECIFICATIONS MAY CHANGE AT ANY TIME WITHOUT NOTICE.	PAGE : 3 OF 4	CHKD BY : E.C.	
	CONFIDENTIAL INFORMATION	SCALE : NTF	APRVD BY : G.Y.	
	THE INFORMATION CONTAINED IN THIS DOCUMENT IS THE PROPERTY OF LUMEX INC. EXCEPT AS SPECIFICALLY AUTHORIZED IN WRITING BY LUMEX INC., THE HOLDER OF THIS DOCUMENT SHALL KEEP ALL INFORMATION CONTAINED HEREIN CONFIDENTIAL AND SHALL PROTECT SAME IN WHOLE OR IN PART FROM DISCLOSURE AND DISSEMINATION TO ALL THIRD PARTIES.	UNIT : mm [INCH]	Pb	

EXAMPLE OF USING STM32F030C8T6 TO DISPLAY RED, GREEN AND BLUE IN SEQUENCE

```

/*****/
uint32_t color;
void Display_One_Dot(uint32_t color);
void Send_Hi(void);
void Send_Lo(void);
void Init_GPIOs(void);
void main(void)
{
  Init_GPIOs();
  while (1)
  {
    color = 0xFF0000;
    Display_One_Dot(color);
    delay_ms(1000);
    color = 0x00FF00;
    Display_One_Dot(color);
    delay_ms(1000);
    color = 0x0000FF;
    Display_One_Dot(color);
    delay_ms(1000);
  }
}
/*****/
void Display_One_Dot(uint32_t color)
{
  uint8_t j=0;
  uint32_t x,y;
  y = color;
  for (j=0;j<24;j++)
  {
    x = (y & 0x800000);
    if (x>0)
      Send_Hi();
    else
      Send_Lo();
    y = y << 1;
  }
}


```

```

/*****/
void Send_Lo(void)
{
  GPIO_SetBits(GPIOB,GPIO_Pin_8);
  GPIO_ResetBits(GPIOB,GPIO_Pin_8);
  GPIO_ResetBits(GPIOB,GPIO_Pin_8);
  GPIO_ResetBits(GPIOB,GPIO_Pin_8);
}
/*****/
void Send_Hi(void)
{
  GPIO_SetBits(GPIOB,GPIO_Pin_8);
  GPIO_SetBits(GPIOB,GPIO_Pin_8);
  GPIO_SetBits(GPIOB,GPIO_Pin_8);
  GPIO_ResetBits(GPIOB,GPIO_Pin_8);
}
/*****/
void Init_GPIOs(void)
{
  GPIO_InitTypeDef GPIO_InitStructure;
  RCC_AHBPeriphClockCmd(RCC_AHBPeriph_GPIOB,ENABLE);
  GPIO_InitStructure.GPIO_Pin = GPIO_Pin_8 ;
  GPIO_InitStructure.GPIO_Mode = GPIO_Mode_OUT;
  GPIO_InitStructure.GPIO_OType = GPIO_OType_PP;
  GPIO_InitStructure.GPIO_PuPd = GPIO_PuPd_UP;
  GPIO_InitStructure.GPIO_Speed = GPIO_Speed_50MHz;
  GPIO_Init(GPIOB, &GPIO_InitStructure);
}

```

*UNLESS OTHERWISE SPECIFIED TOLERANCES PER DECIMAL PRECISION ARE: X=±1 (±0.039), X.X=±0.5 (±0.020), X.XX=±0.25 (±0.010), X.XXX=±0.127 (±0.005). LEAD SIZE=±0.05 (±0.002), LEAD LENGTH=±0.75 (±0.030). MIN= ^{+DECIMAL PRECISION} -0.00 MAX= ^{+0.00} -DECIMAL PRECISION

 <p>425 N. GARY AVE. CAROL STREAM, IL 60188 PHONE : 800-278-5666 FAX : 630-315-2150 WEB : WWW.LUMEX.COM</p>	5.0(L)*5.0(W)*1.5(H)mm, SURFACE MOUNT LED, RGB FULL COLOR, 3-CHANNELs LED DRIVER WITH 8 bit PWM LINEAR CONTROL, WATER CLEAR LENS,TAPE & REEL	DATE : 2018.10.23	DRAWN BY : C.C.	
	THE SPECIFICATIONS MAY CHANGE AT ANY TIME WITHOUT NOTICE.	PAGE : 4 OF 4	CHKD BY : E.C.	
	CONFIDENTIAL INFORMATION	SCALE : NTF	APRVD BY : G.Y.	
	THE INFORMATION CONTAINED IN THIS DOCUMENT IS THE PROPERTY OF LUMEX INC. EXCEPT AS SPECIFICALLY AUTHORIZED IN WRITING BY LUMEX INC., THE HOLDER OF THIS DOCUMENT SHALL KEEP ALL INFORMATION CONTAINED HEREIN CONFIDENTIAL AND SHALL PROTECT SAME IN WHOLE OR IN PART FROM DISCLOSURE AND DISSEMINATION TO ALL THIRD PARTIES.	UNIT : mm [INCH]		Pb

X-ON Electronics

Largest Supplier of Electrical and Electronic Components

Click to view similar products for [Standard LEDs - SMD category](#):

Click to view products by [Lumex manufacturer](#):

Other Similar products are found below :

[LTST-C190KYKT](#) [LTST-C19GD2WT](#) [LTST-N683GBEW](#) [LTW-170ZDC](#) [LTW-M140SZS40](#) [598-8110-100F](#) [598-8170-100F](#) [598-8610-202F](#) [67-22VRVGC/TR8](#) [AAAF5060QBFSEEZGS](#) [HLMA-QG00-S0021](#) [HLMP-6305-L0011](#) [ALMD-LB36-SV002](#) [APT1608QGW](#) [15-21UYC/S530-A3/TR8](#) [EAST2012YA0](#) [EASV1803BA0](#) [LG M67K-H1J2-24-0-2-R18-Z](#) [LS A676-P2S1-1](#) [SML310BATT86](#) [SML-LX0606SISUGC/A](#) [SML-LXL1307SRC-TR](#) [SML-LXR851SIUPGUBC](#) [LT1ED53A](#) [FAT801-S](#) [AM27ZGC03](#) [APB3025SGNC](#) [APFA3010SURKCGKQBDC](#) [APHK1608VGCA](#) [APT2012QGW](#) [LTST-C250KGKT](#) [LTW-010DCG](#) [LTW-020ZDCG](#) [LTW-21TS5](#) [LTW-220DS5](#) [LY L29K-H1J2-26](#) [UYGT801-S](#) [42-21UYC/S530-A3/TR8](#) [LO T67F-V1AB-24-1](#) [YGFR411-H](#) [598-8330-117F](#) [SML-LX0402IC-TR](#) [CMDA20AYAA7D1S](#) [CMDA16AYDR7A1X](#) [598-8040-100F](#) [598-8070-100F](#) [598-8140-100F](#) [598-8610-200F](#) [EAST2012GA0](#) [EAPL3527GA5](#)