

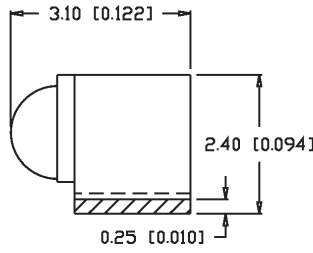
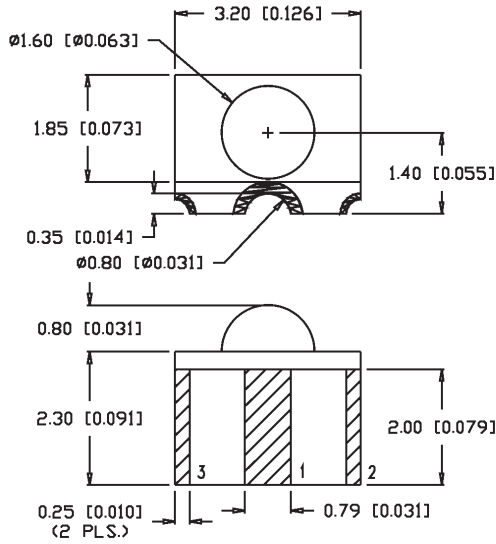
SMT LEDs ~ Right Angle ~ One Piece

PATENT PENDING

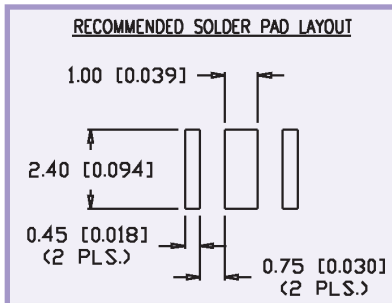


SMF-2432XC-TR

Right Angle SMT PCB Design



3 1



Features/Options

- ▶ Chip Center 1.4 mm Off-Board For Good Light Emission
- ▶ State-of-the-Art LED Die
- ▶ Wide Angle of Emission
- ▶ High Volume Capacity Production
- ▶ Quick Delivery
- ▶ All Color Choices Available
- ▶ Right Angle Light Emission

Applications/Uses

- ▶ Display or Character Backlighting
- ▶ Status Indicators
- ▶ Circuit Fault Indicators
- ▶ Keyboard Post Lighting
- ▶ Medical Diagnostic Instruments

PATENT PENDING

SMF-2432 Package Style - Super Bright

Right Angle SMT PCB Design

Lumex Part Number	Die Material	Emitted Color	Peak (nm)	Lens	Axial Intensity @ If=20mA	V _f Typ @ If=20mA	V _f Max @ If=20mA	View Angle° 2θ	Reel Size (pcs)	Reflow Profile Pg. 134	Tape Specs Pg. 134
SMF-2432SIC-TR	AllnGaP	Super High Intensity Red	636	Clear	60	2.0	2.6	110	500	Figure 1	Figure A
SMF-2432SOC-TR	AllnGaP	Super Orange	610	Clear	60	2.0	2.5	110	500	Figure 1	Figure A
SMF-2432SUGC-TR	AllnGaP	Super Ultra Green	574	Clear	40	2.2	2.6	110	500	Figure 1	Figure A
SMF-2432SYC-TR	AllnGaP	Super Yellow	590	Clear	170	2.1	2.8	110	500	Figure 1	Figure A

PATENT PENDING

SMF-2432 Package Style - Ultra Bright

Right Angle SMT PCB Design

Lumex Part Number	Die Material	Emitted Color	Peak (nm)	Lens	Axial Intensity @ If=20mA	V _f Typ @ If=20mA	V _f Max @ If=20mA	View Angle° 2θ	Reel Size (pcs)	Reflow Profile Pg. 134	Tape Specs Pg. 134
SMF-2432USBC-TR	InGaN	Ultra Super Blue	470	Clear	140	3.5	4.0	110	500	Figure 1	Figure A
SMF-2432UPGC-TR	InGaN	Ultra Pure Green	525	Clear	160	3.5	4.0	110	500	Figure 1	Figure A



USA/Canada 1-800-278-5666
Asia +886-3-5821124



www.lumex.com



USA/Canada 1-847-359-8904
Asia +886-3-5821154

1
2
3
4
5
6
7
8
9
10
11
12
13
14
15
16
17
18
19
20
21
22
23
24
25
26
27
28
29

X-ON Electronics

Largest Supplier of Electrical and Electronic Components

Click to view similar products for [Standard LEDs - SMD category](#):

Click to view products by [Lumex manufacturer](#):

Other Similar products are found below :

[LTST-C190KYKT](#) [LTST-C19GD2WT](#) [LTST-N683GBEW](#) [LTW-170ZDC](#) [LTW-M140SZS40](#) [598-8110-100F](#) [598-8170-100F](#) [598-8610-202F](#) [67-22VRVGC/TR8](#) [AAAF5060QBFSEEZGS](#) [HLMA-QG00-S0021](#) [HLMP-6305-L0011](#) [ALMD-LB36-SV002](#) [APT1608QGWW](#) [15-21UYC/S530-A3/TR8](#) [EAST2012YA0](#) [EASV1803BA0](#) [LG M67K-H1J2-24-0-2-R18-Z](#) [LS A676-P2S1-1](#) [SML310BATT86](#) [SML-LX0606SISUGC/A](#) [SML-LXL1307SRC-TR](#) [SML-LXR851SIUPGUBC](#) [LT1ED53A](#) [FAT801-S](#) [AM27ZGC03](#) [APB3025SGNC](#) [APFA3010SURKCGKQBDC](#) [APHK1608VGCA](#) [APT2012QGWW](#) [LTST-C250KGKT](#) [LTW-010DCG](#) [LTW-020ZDCG](#) [LTW-21TS5](#) [LTW-220DS5](#) [LY L29K-H1J2-26](#) [JANTXM19500/521-02](#) [UYGT801-S](#) [42-21UYC/S530-A3/TR8](#) [LO T67F-V1AB-24-1](#) [YGFR411-H](#) [598-8330-117F](#) [SML-LX0402IC-TR](#) [CMDA20AYAA7D1S](#) [CMDA16AYDR7A1X](#) [598-8040-100F](#) [598-8070-100F](#) [598-8140-100F](#) [598-8610-200F](#) [EAST2012GA0](#)