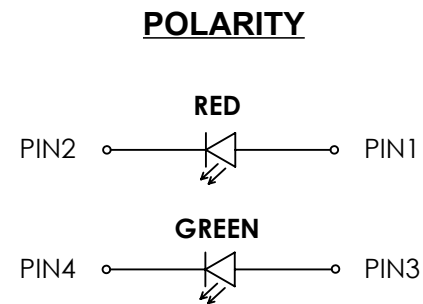
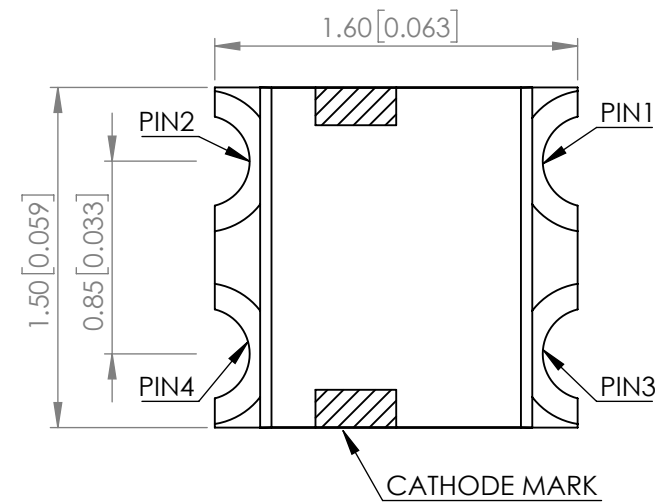
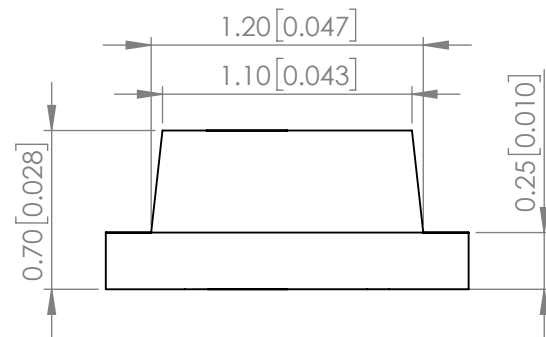


PART NUMBER		SML-LX0606SISUGCTR	REV	E
REV	E.C.N. NUMBER AND REVISION COMMENTS			DATE
A	E.C.N. #11148			05.29.07
B	E.C.N. #11508			03.05.09
C	E.C.N. #11581			12.21.09
D	E.C.N. #11964			07.02.15
E	ECN-Lumex201700010			04.10.17

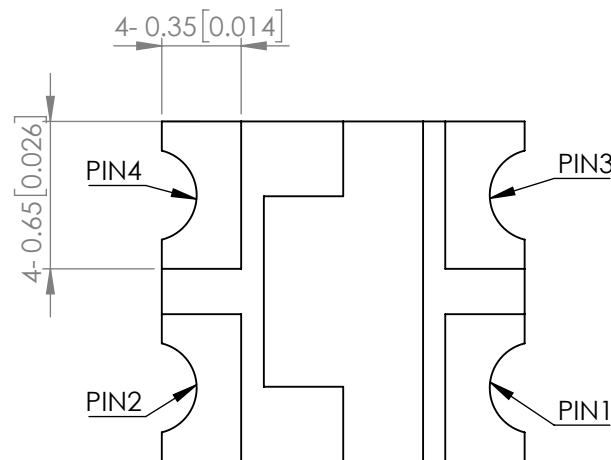
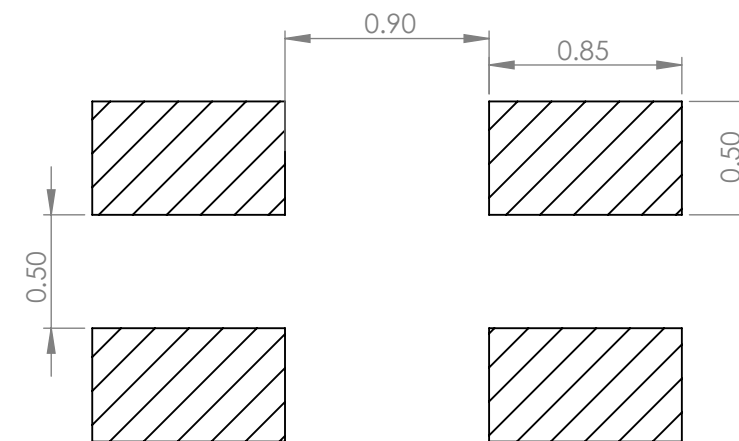


ELECTRO-OPTICAL CHARACTERISTIC TA=25°C

PARAMETER		MIN	TYP	MAX	UNITS	TEST COND
PEAK WAELENGHT	R	-	645	-	nm	If=20mA
	G	-	575	-		
FORWARD VOLTAGE	R	-	1.9	2.5	Vf	If=20mA
	G	-	2	2.5		
REVERSE VOLTAGE (R/G)		-	-	5	Vr	IR=10uA
LUMINOUS INTENSITY	R	40	-	80	mcd	If=20mA
	G	20	-	55		
VIEWING ANGLE		-	120	-	2x theta1/2	If=20mA
EMITTED COLOR		R/G				
EPOXY LENS FINISH		WATER CLEAR				



RECOMMENDED SOLDER PAD LAYOUT



ABSOLUTE MAXIMUM RATINGS TA=25°C

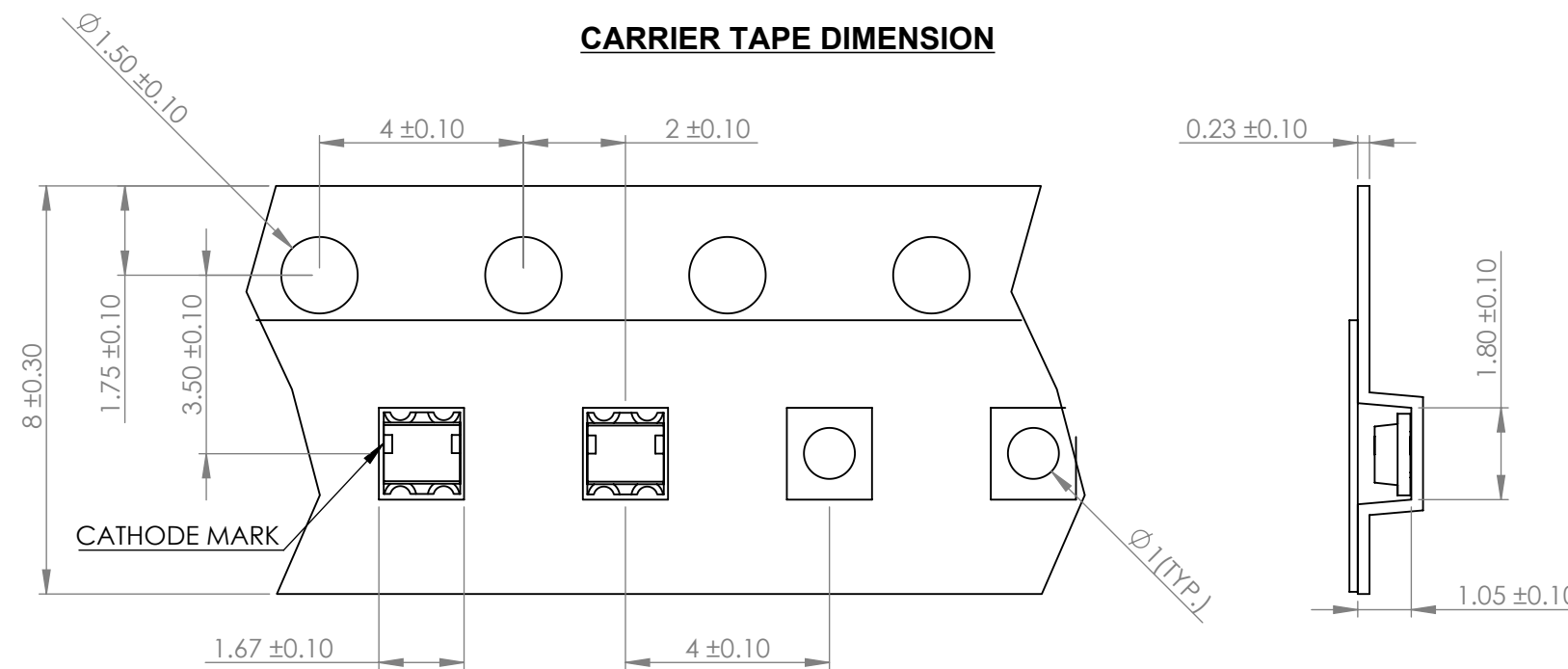
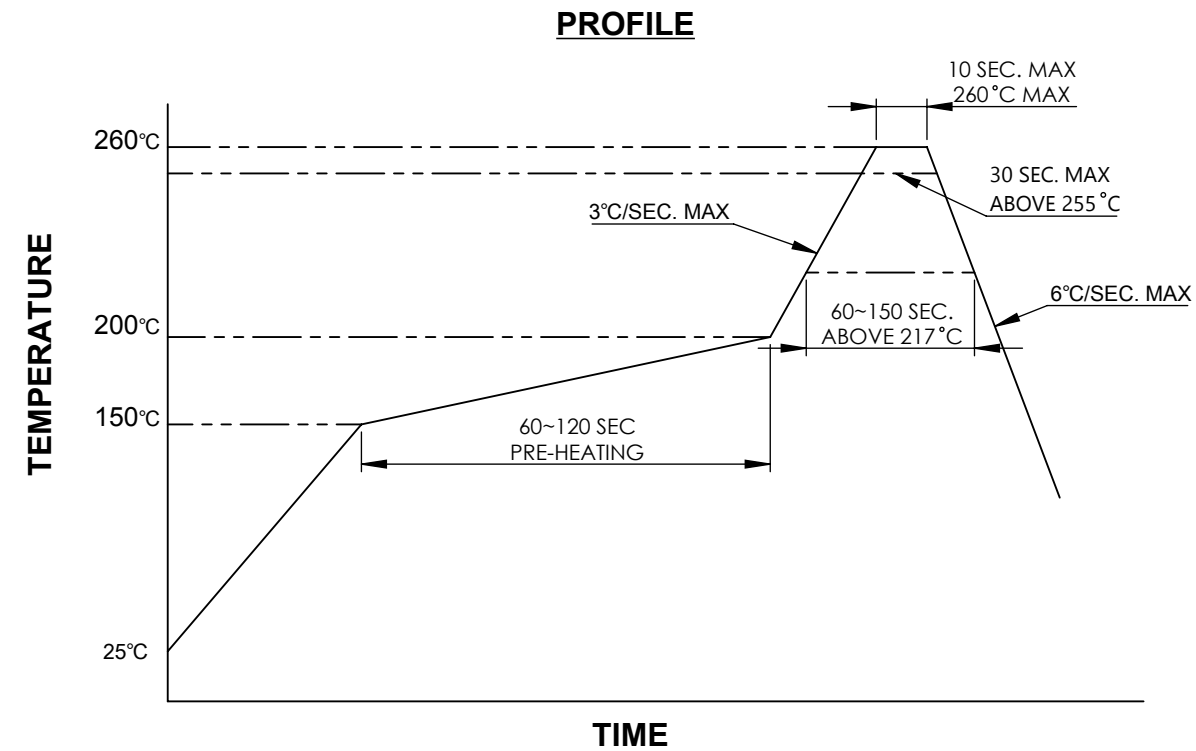
PARAMETER	MAX	UNITS
PEAK FORWARD CURRENT (R/G)*	180/150	mA
FORWARD CURRENT	30/30	mA
POWER DISIPATION (R/G)	75/75	mW
STORAGE TEMPERATURE	-40 to +85	°C
OPERATING TEMPERATURE	-40 to +85	°C

*t<10us

CUSTOM: MOISTURE SENSITIVE DEVICE
PER JEDEC LEVEL 3 STANDARDS

*UNLESS OTHERWISE SPECIFIED TOLERANCES PER DECIMAL PRECISION ARE: X=±1 (±0.039), X.X=±0.5 (±0.020), X.XX=±0.25 (±0.010), X.XXX=±0.127 (±0.005). LEAD SIZE=±0.05 (±0.002), LEAD LENGTH=±0.75 (±0.030). MIN= ^{+DECIMAL PRECISION}/_{-0.00} MAX= ^{+0.00}/_{-DECIMAL PRECISION}

PART NUMBER		SML-LX0606SISUGCTR	REV	E
REV	E.C.N. NUMBER AND REVISION COMMENTS		DATE	
A	E.C.N. #11148		05.29.07	
B	E.C.N. #11508		03.05.09	
C	E.C.N. #11581		12.21.09	
D	E.C.N. #11964		07.02.15	
E	ECN-Lumex201700010		04.10.17	



*UNLESS OTHERWISE SPECIFIED TOLERANCES PER DECIMAL PRECISION ARE: X=±1 (±0.039), X.X=±0.5 (±0.020), X.XX=±0.25 (±0.010), X.XXX=±0.127 (±0.005). LEAD SIZE=±0.05 (±0.002), LEAD LENGTH=±0.75 (±0.030). MIN= ^{+DECIMAL PRECISION}/_{-0.00} MAX= ^{+0.00}/_{-DECIMAL PRECISION}

<p>N. GARY AVE. CAROL STREAM, IL 60188 PHONE : 800-278-5666 FAX : 630-315-2150 WEB : WWW.LUMEX.COM425</p>	1.6(L)*1.5(W)*0.7(H)mm, SURFACE MOUNT LED, AllnGap RED/AllnGaP GREEN BICOLOR LED, WATER CLEAR LENS, TAPE & REEL	DATE : 2017.04.10	DRAWN BY : E.C.	
	THE SPECIFICATIONS MAY CHANGE AT ANY TIME WITHOUT NOTICE DUE TO NEW MATERIALS OR PRODUCT IMPROVEMENT.	PAGE : 2 OF 2	CHKD BY : G.Y.	
	CONFIDENTIAL INFORMATION THE INFORMATION CONTAINED IN THIS DOCUMENT IS THE PROPERTY OF LUMEX INC. EXCEPT AS SPECIFICALLY AUTHORIZED IN WRITING BY LUMEX INC., THE HOLDER OF THIS DOCUMENT SHALL KEEP ALL INFORMATION CONTAINED HEREIN CONFIDENTIAL AND SHALL PROTECT SAME IN WHOLE OR IN PART FROM DISCLOSURE AND DISSEMINATION TO ALL THIRD PARTIES.	SCALE : NTF	APRVD BY : R.C.	
		UNIT : mm [INCH]	(Pb)	

X-ON Electronics

Largest Supplier of Electrical and Electronic Components

Click to view similar products for [Standard LEDs - SMD category](#):

Click to view products by [Lumex manufacturer](#):

Other Similar products are found below :

[LTST-C190KYKT](#) [LTST-C19GD2WT](#) [LTST-N683GBEW](#) [LTW-170ZDC](#) [LTW-M140SZS40](#) [598-8110-100F](#) [598-8170-100F](#) [598-8610-202F](#) [67-22VRVGC/TR8](#) [AAAF5060QBFSEEZGS](#) [HLMA-QG00-S0021](#) [HLMP-6305-L0011](#) [ALMD-LB36-SV002](#) [APT1608QGW](#) [15-21UYC/S530-A3/TR8](#) [EAST2012YA0](#) [EASV1803BA0](#) [LG M67K-H1J2-24-0-2-R18-Z](#) [LS A676-P2S1-1](#) [SML310BATT86](#) [SML-LX0606SISUGC/A](#) [SML-LXL1307SRC-TR](#) [SML-LXR851SIUPGUBC](#) [LT1ED53A](#) [FAT801-S](#) [AM27ZGC03](#) [APB3025SGNC](#) [APFA3010SURKCGKQBDC](#) [APHK1608VGCA](#) [APT2012QGW](#) [LTST-C250KGKT](#) [LTW-010DCG](#) [LTW-020ZDCG](#) [LTW-21TS5](#) [LTW-220DS5](#) [LY L29K-H1J2-26](#) [UYGT801-S](#) [42-21UYC/S530-A3/TR8](#) [LO T67F-V1AB-24-1](#) [YGFR411-H](#) [598-8330-117F](#) [SML-LX0402IC-TR](#) [CMDA20AYAA7D1S](#) [CMDA16AYDR7A1X](#) [598-8040-100F](#) [598-8070-100F](#) [598-8140-100F](#) [598-8610-200F](#) [EAST2012GA0](#) [EAPL3527GA5](#)