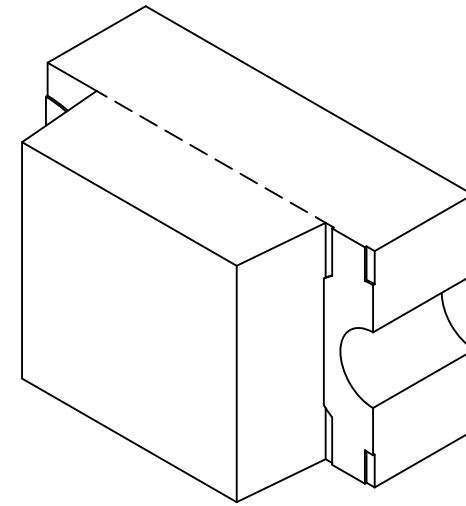
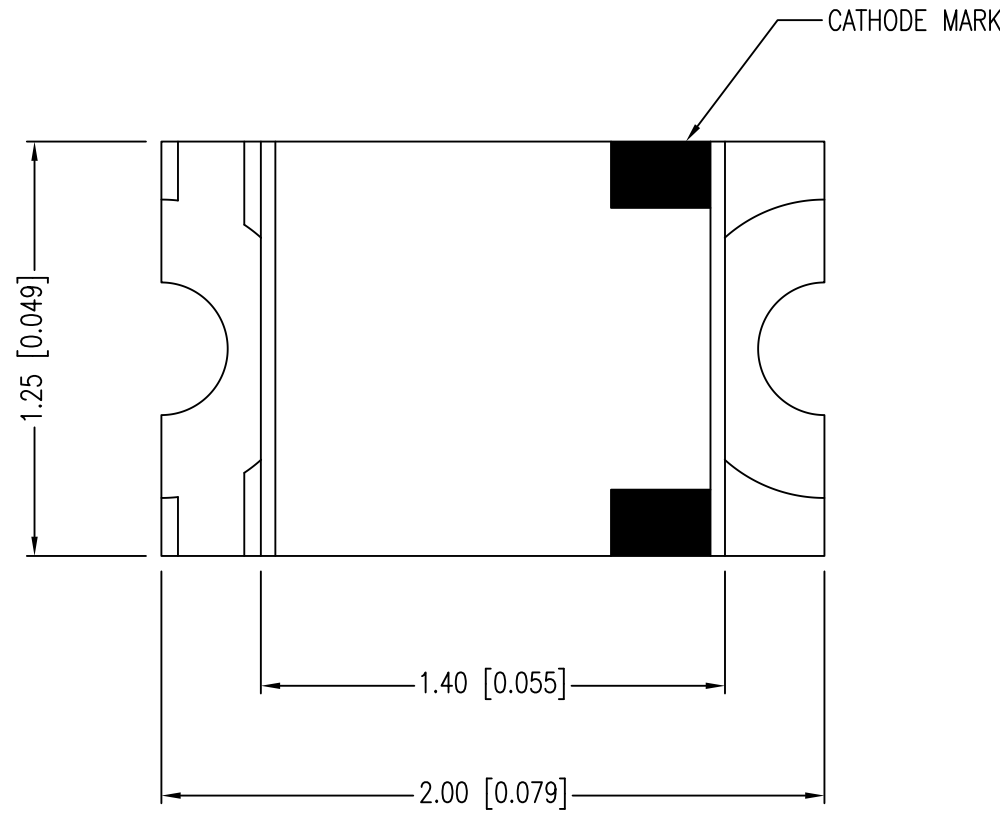


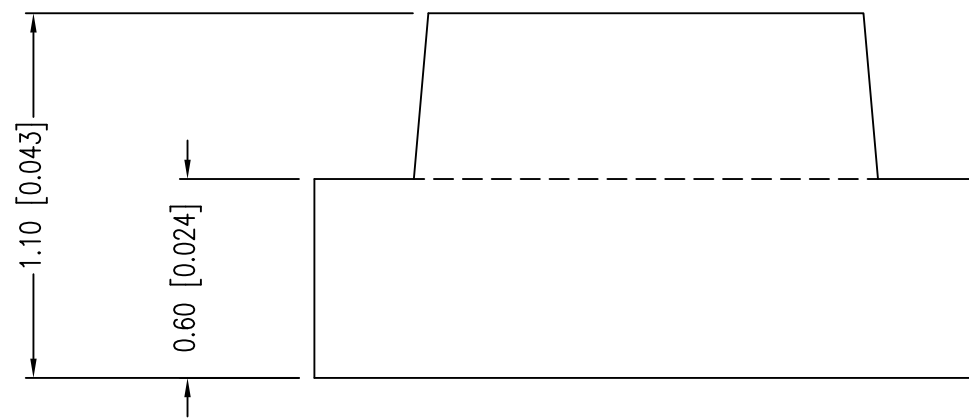
PART NUMBER	SML-LX0805UWC-TR	REV.	G
DATE	E.C.N. NUMBER AND REVISION COMMENTS	REV.	
05.09.02	E.C.N. #10862.	A	
03.14.03	E.C.N. #10967.	B	
01.17.05	E.C.N. #11148.	C	
03.06.09	E.C.N. #11508.	D	
05.07.12	E.C.N. #10BRDR. & REDRAWN.	E	
08.25.14	E.C.N. #11917.	F	
11.06.18	ECN-Lumex201800168	G	



ELECTRO-OPTICAL CHARACTERISTICS $T_a=25^\circ\text{C}$ $I_f=350\text{mA}$

PARAMETER	MIN	TYP	MAX	UNITS	TEST COND
FORWARD VOLTAGE		2.9	3.6	Vf	$I_f=20\text{mA}$
REVERSE VOLTAGE	5.0			Vr	$I_r=10\mu\text{A}$
AXIAL INTENSITY*	112		360	mcd	$I_f=20\text{mA}$
VIEWING ANGLE		120		2x theta 1/2	
EMITTED COLOR:	WHITE				
LENS FINISH:	YELLOW DIFFUSED				

ANODE CATHODE



LIMITS OF SAFE OPERATION AT 25°C

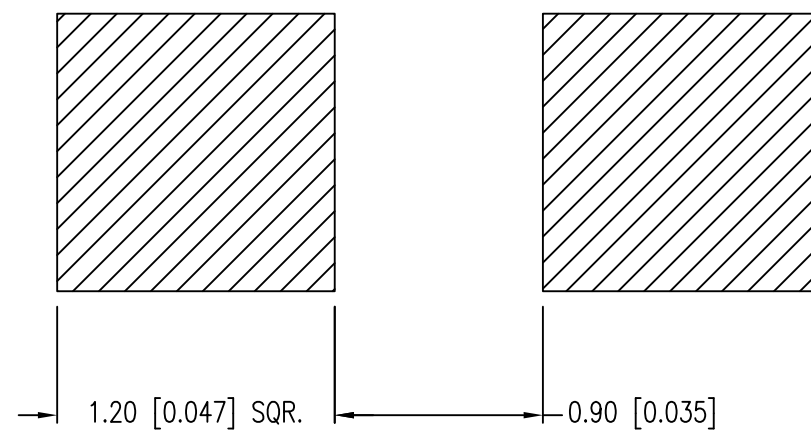
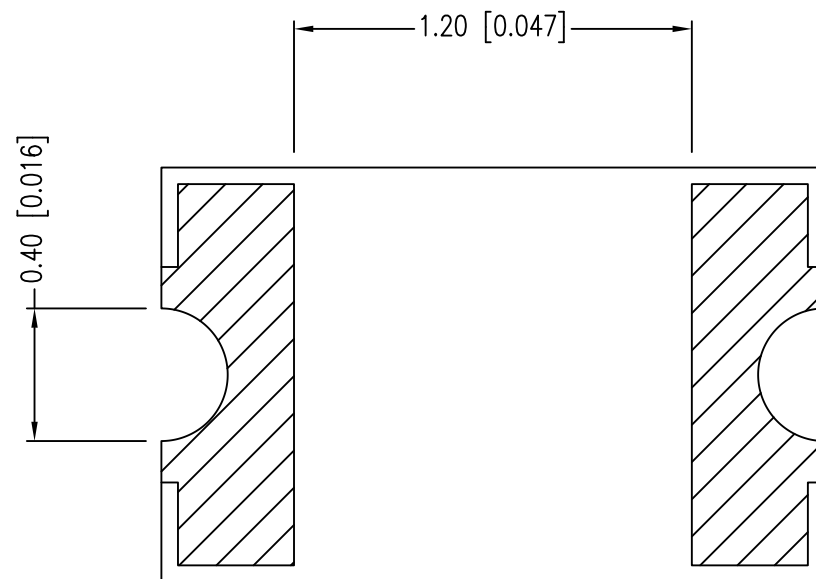
PARAMETER	SYMBOL	MAX	UNITS
PULSE FORWARD CURRENT	I_P	100	mA
STEADY CURRENT	I_F	25	mA
POWER DISSIPATION	P_D	95	mW
OPERATING TEMP.	T_{OPR}	-40 TO +85	°C
STORAGE TEMP.	T_{STG}	-40 TO +90	°C

*DUTY 1/10 PULSE WIDTH 10ms

CAUTION: MOISTURE SENSITIVE DEVICE
PER JEDEC LEVEL 3 STANDARDS

CAUTION: STATIC SENSITIVE DEVICE
FOLLOW PROPER E.S.D. HANDLING PROCEDURES
WHEN WORKING WITH THIS PART.

RECOMMENDED SOLDER PAD LAYOUT



*UNLESS OTHERWISE SPECIFIED TOLERANCES PER DECIMAL PRECISION ARE: X=±1 (±0.039), X.X=±0.5 (±0.020), X.XX=±0.25 (±0.010), X.XXX=±0.127 (±0.005). LEAD SIZE=±0.05 (±0.002), LEAD LENGTH=±0.75 (±0.030). MIN= $\frac{+0.00}{-0.00}$ DECIMAL PRECISION MAX.= $\frac{+0.00}{-0.00}$ DECIMAL PRECISION



425 N. GARY AVE.
CAROL STREAM, IL 60188-4900
PHONE: 800-278-5666
FAX: 630-315-2152
WEB: WWW.LUMEX.COM

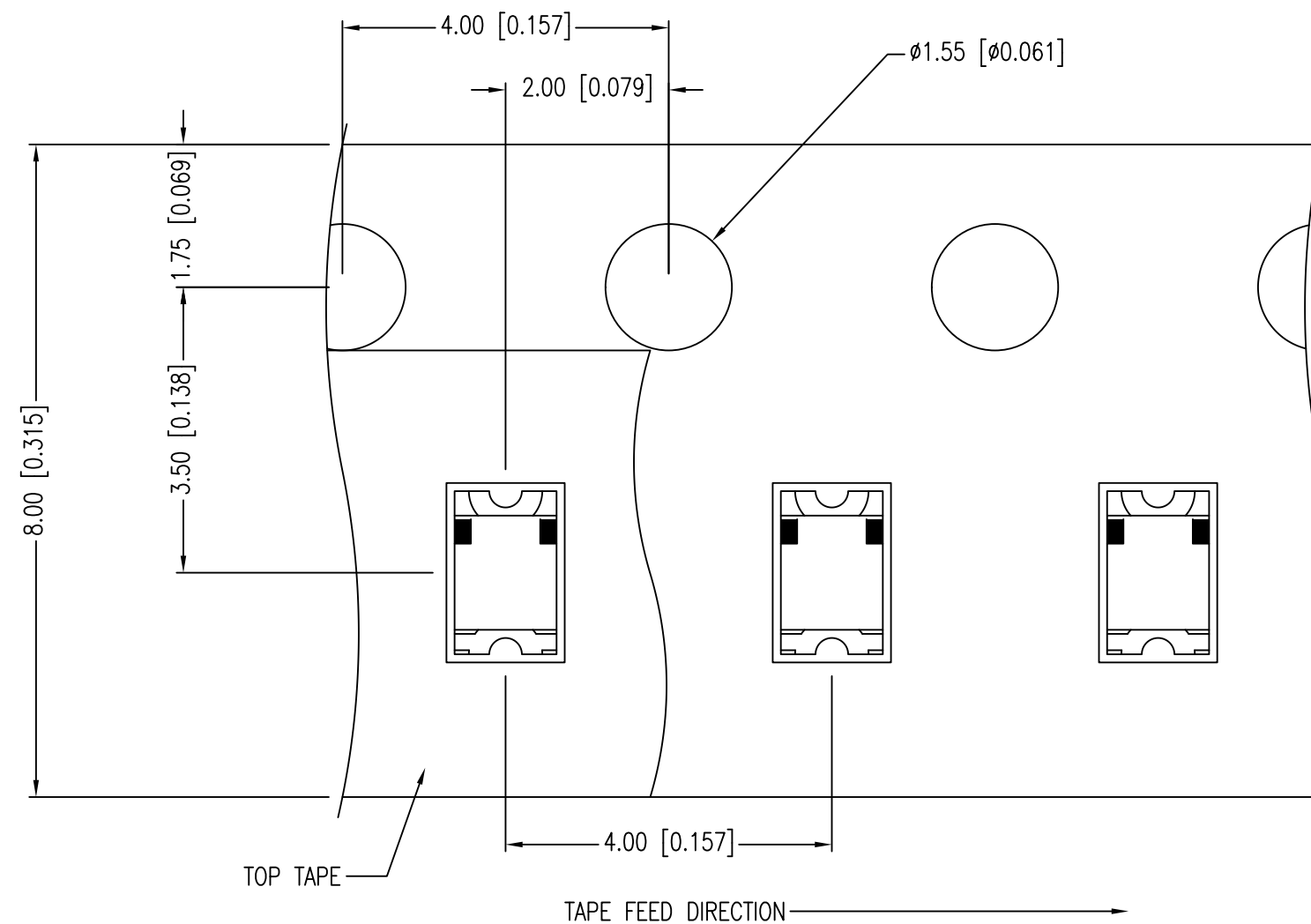
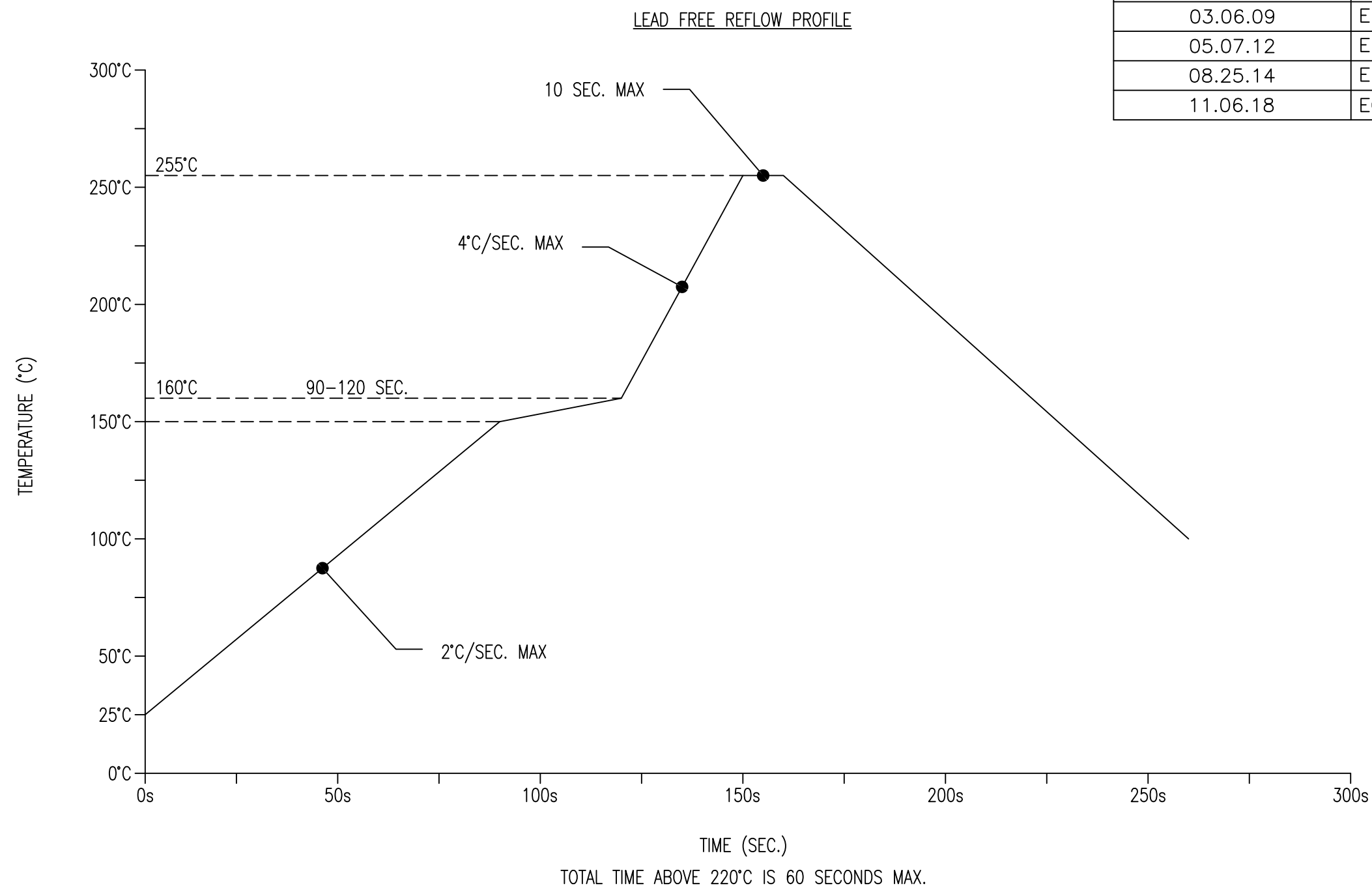
2.0mm x 1.25mm PCB SURFACE MOUNT, WHITE, YELLOW DIFFUSED, TAPE & REEL.

THE SPECIFICATIONS MAY CHANGE AT ANY TIME WITHOUT NOTICE.

CONFIDENTIAL INFORMATION
THE INFORMATION CONTAINED IN THIS DOCUMENT IS THE PROPERTY OF LUMEX INC. EXCEPT AS SPECIFICALLY AUTHORIZED IN WRITING BY LUMEX INC., THE HOLDER OF THIS DOCUMENT SHALL KEEP ALL INFORMATION CONTAINED HEREIN CONFIDENTIAL AND SHALL PROTECT SAME IN WHOLE OR IN PART FROM DISCLOSURE AND DISSEMINATION TO ALL THIRD PARTIES.

DATE: 11.06.18	DRAWN BY: C.S.
PAGE: 1 OF 2	CHKD BY: E.C.
SCALE: NTS	APRVD BY: G.Y.
UNIT: mm [INCH]	

PART NUMBER	SML-LX0805UWC-TR	REV.	G
DATE	E.C.N. NUMBER AND REVISION COMMENTS	REV.	
05.09.02	E.C.N. #10862.	A	
03.14.03	E.C.N. #10967.	B	
01.17.05	E.C.N. #11148.	C	
03.06.09	E.C.N. #11508.	D	
05.07.12	E.C.N. #10BRDR. & REDRAWN.	E	
08.25.14	E.C.N. #11917.	F	
11.06.18	ECN-Lumex201800168	G	



NOTES:

1. POLARITY MARK IS ORIENTED TOWARDS TAPE SPROCKET HOLE.

*UNLESS OTHERWISE SPECIFIED TOLERANCES PER DECIMAL PRECISION ARE: X=±1 (±0.039), X.X=±0.5 (±0.020), X.XX=±0.25 (±0.010), X.XXX=±0.127 (±0.005). LEAD SIZE=±0.05 (±0.002), LEAD LENGTH=±0.75 (±0.030). MIN= $\frac{+DECIMAL PRECISION}{-0.00}$ MAX.= $\frac{+0.00}{-DECIMAL PRECISION}$



425 N. GARY AVE.
CAROL STREAM, IL 60188-4900
PHONE: 800-278-5666
FAX: 630-315-2152
WEB: WWW.LUMEX.COM

2.0mm x 1.25mm PCB SURFACE MOUNT, WHITE, YELLOW DIFFUSED, TAPE & REEL.

THE SPECIFICATIONS MAY CHANGE AT ANY TIME WITHOUT NOTICE.

CONFIDENTIAL INFORMATION

THE INFORMATION CONTAINED IN THIS DOCUMENT IS THE PROPERTY OF LUMEX INC. EXCEPT AS SPECIFICALLY AUTHORIZED IN WRITING BY LUMEX INC., THE HOLDER OF THIS DOCUMENT SHALL KEEP ALL INFORMATION CONTAINED HEREIN CONFIDENTIAL AND SHALL PROTECT SAME IN WHOLE OR IN PART FROM DISCLOSURE AND DISSEMINATION TO ALL THIRD PARTIES.

DATE: 11.06.18	DRAWN BY: C.S.
PAGE: 2 OF 2	CHKD BY: E.C.
SCALE: NTS	APRVD BY: G.Y.
UNIT: mm [INCH]	

X-ON Electronics

Largest Supplier of Electrical and Electronic Components

Click to view similar products for [Standard LEDs - SMD category](#):

Click to view products by [Lumex manufacturer](#):

Other Similar products are found below :

[LTST-C190KYKT](#) [LTST-C19GD2WT](#) [LTST-N683GBEW](#) [LTW-170ZDC](#) [LTW-M140SZS40](#) [598-8110-100F](#) [598-8170-100F](#) [598-8610-202F](#) [67-22VRVGC/TR8](#) [AAAF5060QBFSEEZGS](#) [HLMP-6305-L0011](#) [ALMD-LB36-SV002](#) [APT1608QGW](#) [15-21UYC/S530-A3/TR8](#) [EAST2012YA0](#) [EASV1803BA0](#) [LG M67K-H1J2-24-0-2-R18-Z](#) [LS A676-P2S1-1](#) [SML310BATT86](#) [SML-LX0606SISUGC/A](#) [SML-LXL1307SRC-TR](#) [SML-LXR851SIUPGUBC](#) [LT1ED53A](#) [FAT801-S](#) [AM27ZGC03](#) [APB3025SGNC](#) [APFA3010SURKCGKQBDC](#) [APHK1608VGCA](#) [APT2012QGW](#) [LTST-C250KGKT](#) [LTW-010DCG](#) [LTW-020ZDCG](#) [LTW-21TS5](#) [LTW-220DS5](#) [LY L29K-H1J2-26](#) [JANTXM19500/521-02](#) [UYGT801-S](#) [42-21UYC/S530-A3/TR8](#) [YGFR411-H](#) [598-8330-117F](#) [SML-LX0402IC-TR](#) [CMDA20AYAA7D1S](#) [CMDA16AYDR7A1X](#) [598-8040-100F](#) [598-8070-100F](#) [598-8140-100F](#) [598-8610-200F](#) [EAST2012GA0](#) [EAPL3527GA5](#) [EASV3020YGA0](#)