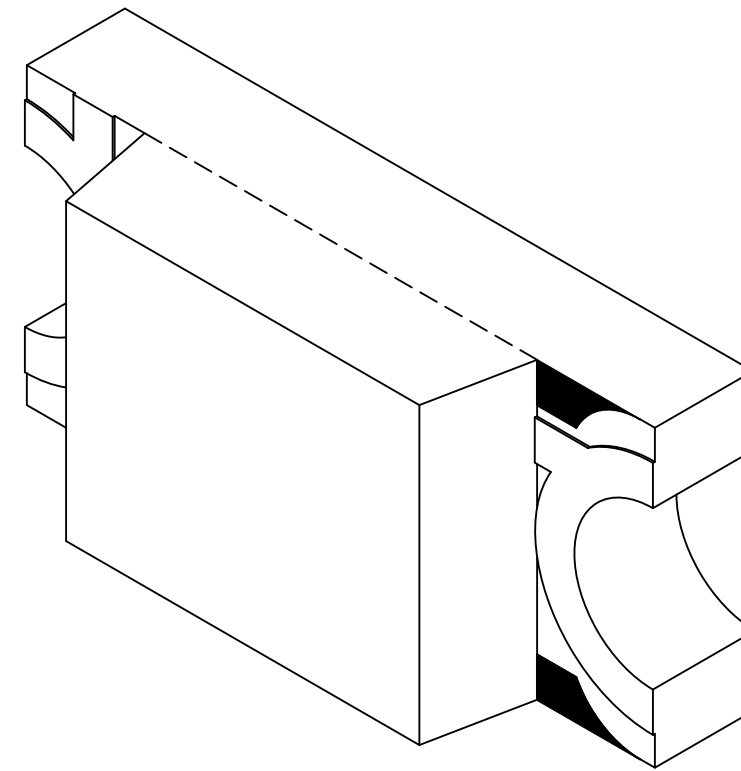
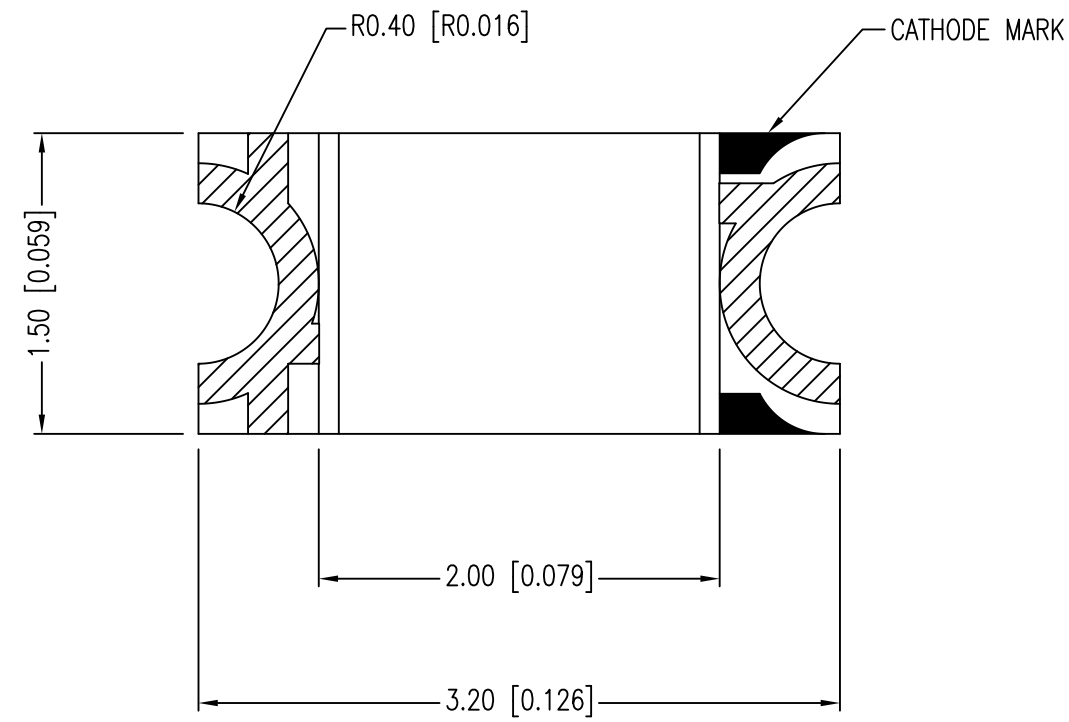


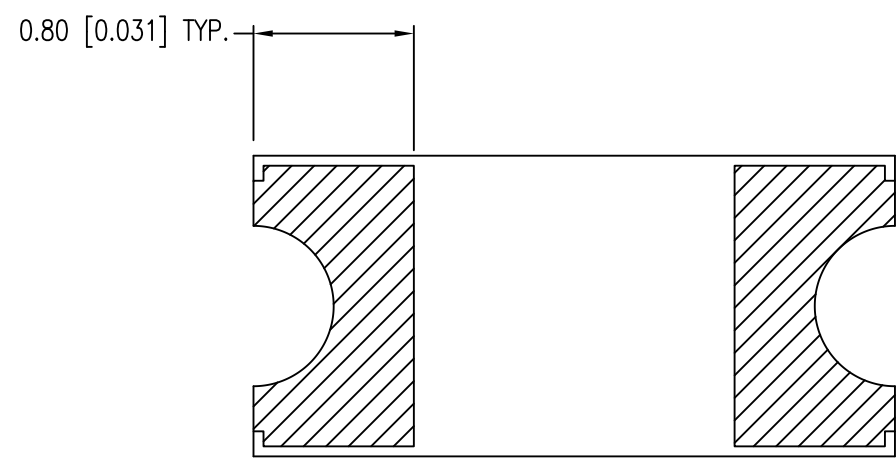
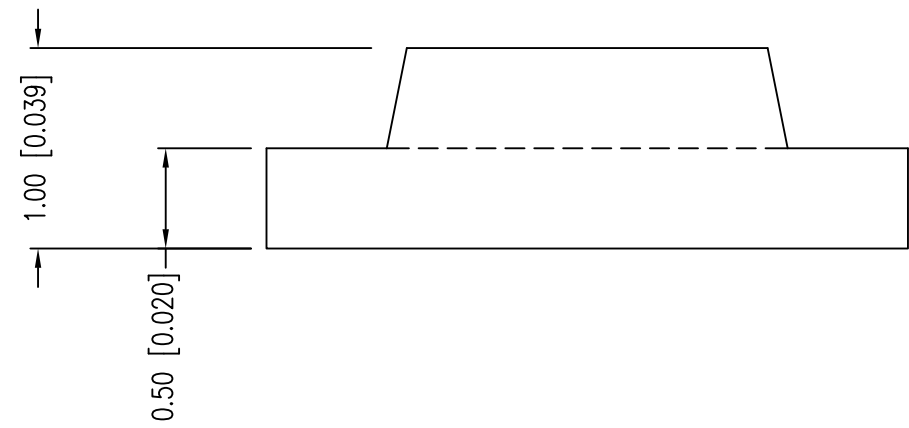
PART NUMBER	SML-LX1206SIC-TR	REV.	I
DATE	E.C.N. NUMBER AND REVISION COMMENTS	REV.	
12.03.01	E.C.N. #10BRDR. & REDRAWN.	A	
03.14.03	E.C.N. #10967.	BC	
03.09.09	E.C.N. #11148.	D	
01.07.08	E.C.N. #11644.	E	
07.19.10	E.C.N. #11644.	F	
04.20.11	E.C.N. #10BRDR. & REDRAWN.	G	
08.07.12	E.C.N. #11829.	H	
11.06.18	ECN-Lumex201800168	I	



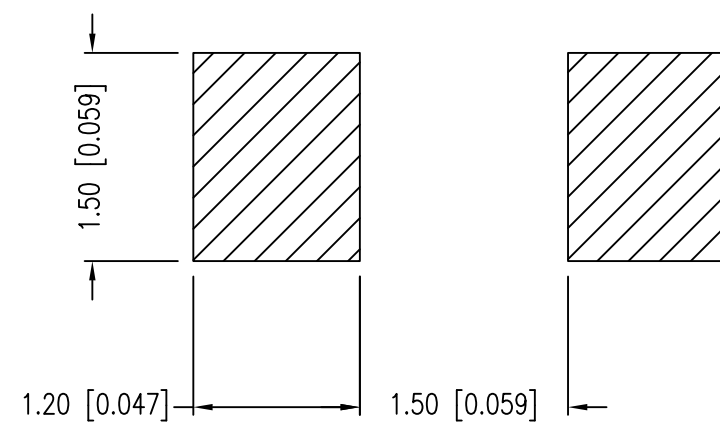
ELECTRO-OPTICAL CHARACTERISTICS  $T_a=25^{\circ}\text{C}$   $I_f=20\text{mA}$

PARAMETER	MIN	TYP	MAX	UNITS	TEST COND
PEAK WAVELENGTH		632		nm	
FORWARD VOLTAGE		2.0	2.4	Vf	
REVERSE VOLTAGE	5.0			Vr	$I_r=100\mu\text{A}$
AXIAL INTENSITY		54		mcd	$I_f=20\text{mA}$
VIEWING ANGLE		130		2x theta 1/2	
EMITTED COLOR:	RED				
LENS FINISH:	WATER CLEAR				

ANODE CATHODE



RECOMMENDED SOLDER PAD LAYOUT



LIMITS OF SAFE OPERATION AT 25°C

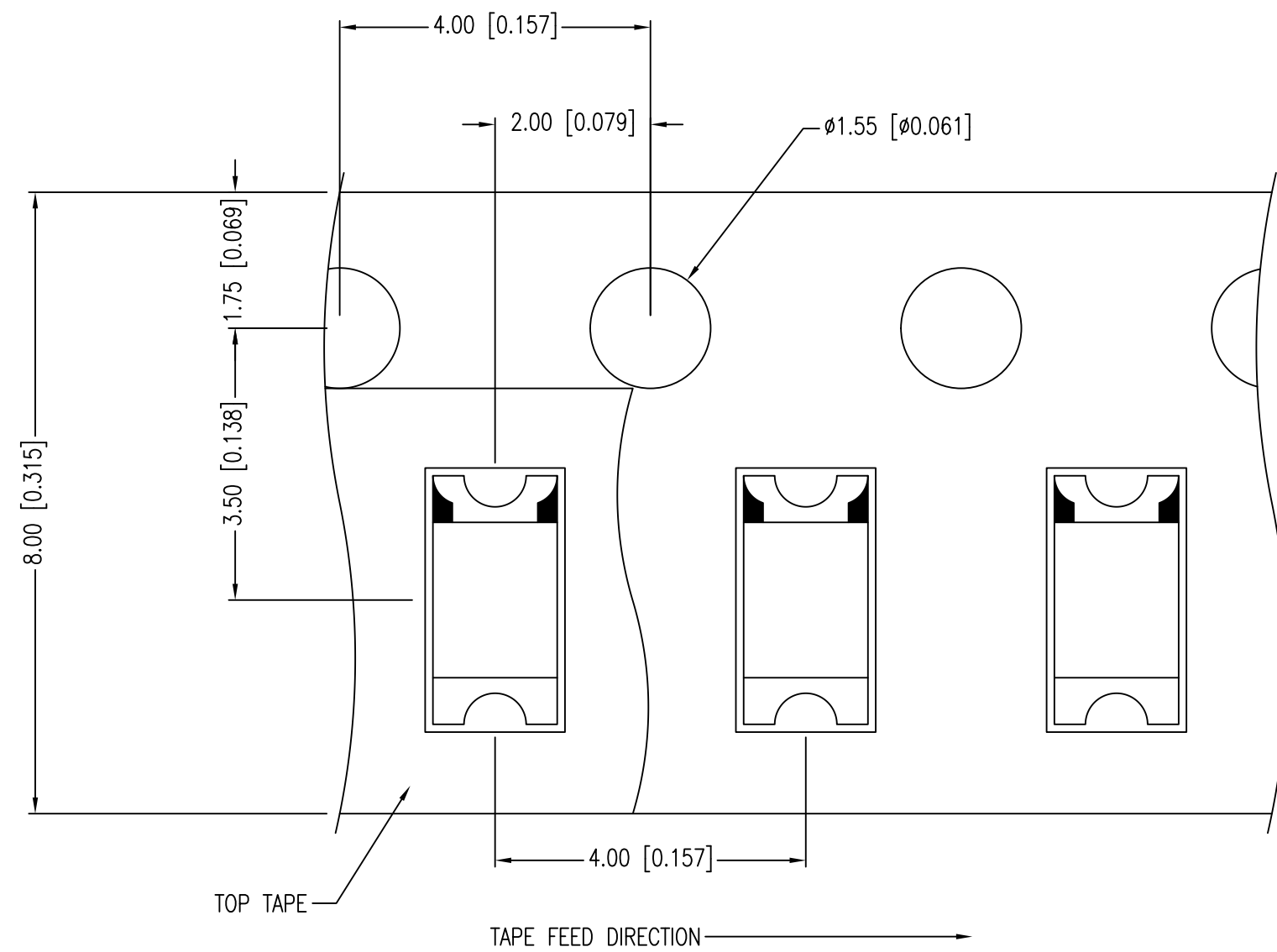
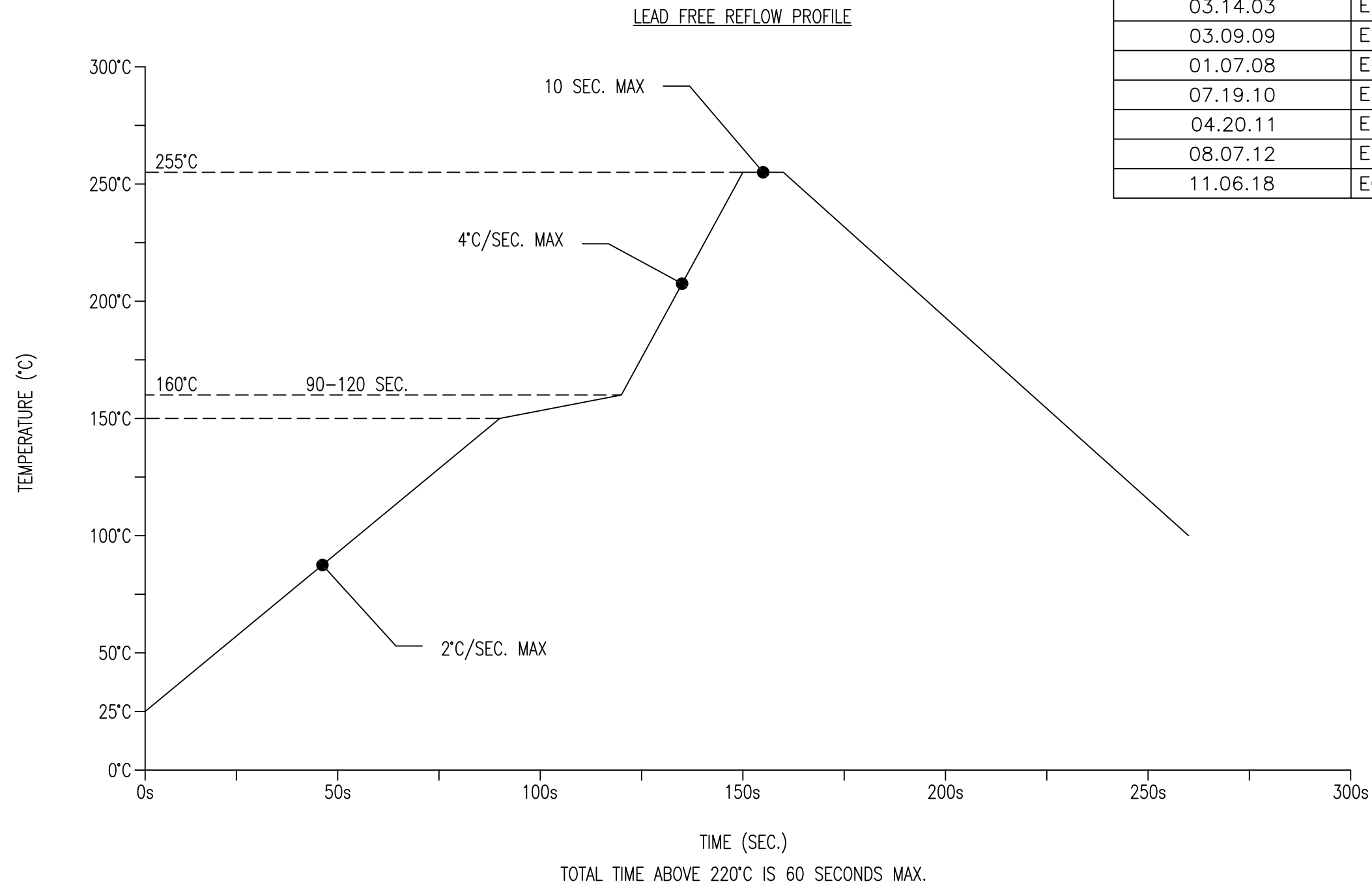
PARAMETER	MAX	UNITS
PEAK FORWARD CURRENT*	60	mA
STEADY CURRENT	25	mA
POWER DISSIPATION	60	mW
DERATE FROM 25°C	-1.2	mW/°C
OPERATING TEMP.	-40 TO +85	°C
STORAGE TEMP.	-40 TO +90	°C

\*  $t < 10\mu\text{s}$

CAUTION: MOISTURE SENSITIVE DEVICE  
PER JEDEC LEVEL 3 STANDARDS

\*UNLESS OTHERWISE SPECIFIED TOLERANCES PER DECIMAL PRECISION ARE: X=±1 (±0.039), X.X=±0.5 (±0.020), X.XX=±0.25 (±0.010), X.XXX=±0.127 (±0.005). LEAD SIZE=±0.05 (±0.002), LEAD LENGTH=±0.75 (±0.030). MIN=  $\begin{matrix} +0.00 \\ -0.00 \end{matrix}$  DECIMAL PRECISION MAX.=  $\begin{matrix} +0.00 \\ -0.00 \end{matrix}$  DECIMAL PRECISION

PART NUMBER	SML-LX1206SIC-TR	REV.	I
DATE	E.C.N. NUMBER AND REVISION COMMENTS	REV.	
12.03.01	E.C.N. #10BRDR. & REDRAWN.	A	
03.14.03	E.C.N. #10967.	BC	
03.09.09	E.C.N. #11148.	D	
01.07.08	E.C.N. #11644.	E	
07.19.10	E.C.N. #11644.	F	
04.20.11	E.C.N. #10BRDR. & REDRAWN.	G	
08.07.12	E.C.N. #11829.	H	
11.06.18	ECN-Lumex201800168	I	



**NOTES:**  
1. THE CATHODE MARK IS ORIENTED TOWARDS THE TAPE SPROCKET HOLE.

\*UNLESS OTHERWISE SPECIFIED TOLERANCES PER DECIMAL PRECISION ARE: X=±1 (±0.039), X.X=±0.5 (±0.020), X.XX=±0.25 (±0.010), X.XXX=±0.127 (±0.005). LEAD SIZE=±0.05 (±0.002), LEAD LENGTH=±0.75 (±0.030). MIN=  $\frac{+DECIMAL PRECISION}{-0.00}$  MAX.=  $\frac{+0.00}{-DECIMAL PRECISION}$



425 N. GARY AVE.  
CAROL STREAM, IL 60188-4900  
PHONE: 800-278-5666  
FAX: 630-315-2152  
WEB: WWW.LUMEX.COM

QUASARBRITE 3.2mm x 1.5mm PCB SURFACE MOUNT LED, 632nm RED, WATER CLEAR, TAPE & REEL.

\*\*THE SPECIFICATIONS MAY CHANGE AT ANY TIME WITHOUT NOTICE.\*\*

**CONFIDENTIAL INFORMATION**  
THE INFORMATION CONTAINED IN THIS DOCUMENT IS THE PROPERTY OF LUMEX INC. EXCEPT AS SPECIFICALLY AUTHORIZED IN WRITING BY LUMEX INC., THE HOLDER OF THIS DOCUMENT SHALL KEEP ALL INFORMATION CONTAINED HEREIN CONFIDENTIAL AND SHALL PROTECT SAME IN WHOLE OR IN PART FROM DISCLOSURE AND DISSEMINATION TO ALL THIRD PARTIES.

DATE: 11.06.18	DRAWN BY: C.S.
PAGE: 2 OF 2	CHKD BY: E.C.
SCALE: NTS	APRVD BY: G.Y.
UNIT: mm [INCH]	

## X-ON Electronics

Largest Supplier of Electrical and Electronic Components

*Click to view similar products for [Standard LEDs - SMD category](#):*

*Click to view products by [Lumex manufacturer](#):*

Other Similar products are found below :

[LTST-C190KYKT](#) [LTST-C19GD2WT](#) [LTST-N683GBEW](#) [LTW-170ZDC](#) [LTW-M140SZS40](#) [598-8110-100F](#) [598-8170-100F](#) [598-8610-202F](#) [67-22VRVGC/TR8](#) [AAAF5060QBFSEEZGS](#) [HLMA-QG00-S0021](#) [HLMP-6305-L0011](#) [ALMD-LB36-SV002](#) [APT1608QGW](#) [15-21UYC/S530-A3/TR8](#) [EAST2012YA0](#) [EASV1803BA0](#) [LG M67K-H1J2-24-0-2-R18-Z](#) [LS A676-P2S1-1](#) [SML310BATT86](#) [SML-LX0606SISUGC/A](#) [SML-LXL1307SRC-TR](#) [SML-LXR851SIUPGUBC](#) [LT1ED53A](#) [FAT801-S](#) [AM27ZGC03](#) [APB3025SGNC](#) [APFA3010SURKCGKQBDC](#) [APHK1608VGCA](#) [APT2012QGW](#) [LTST-C250KGKT](#) [LTW-010DCG](#) [LTW-020ZDCG](#) [LTW-21TS5](#) [LTW-220DS5](#) [LY L29K-H1J2-26](#) [JANTXM19500/521-02](#) [UYGT801-S](#) [42-21UYC/S530-A3/TR8](#) [LO T67F-V1AB-24-1](#) [YGFR411-H](#) [598-8330-117F](#) [SML-LX0402IC-TR](#) [CMDA20AYAA7D1S](#) [CMDA16AYDR7A1X](#) [598-8040-100F](#) [598-8070-100F](#) [598-8140-100F](#) [598-8610-200F](#) [EAST2012GA0](#)