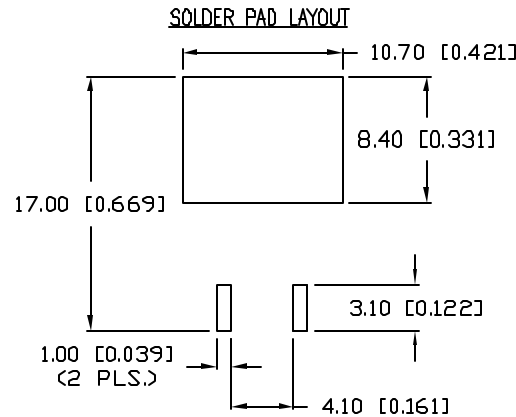
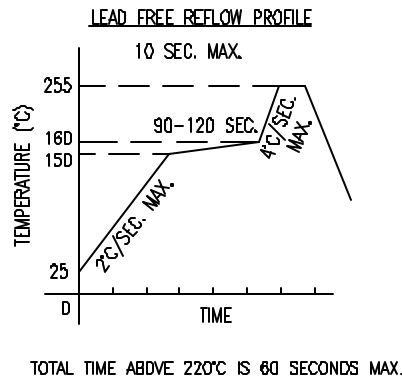
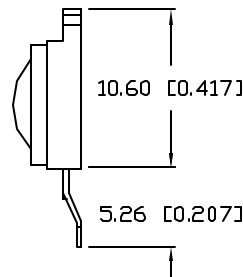
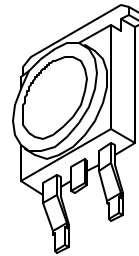
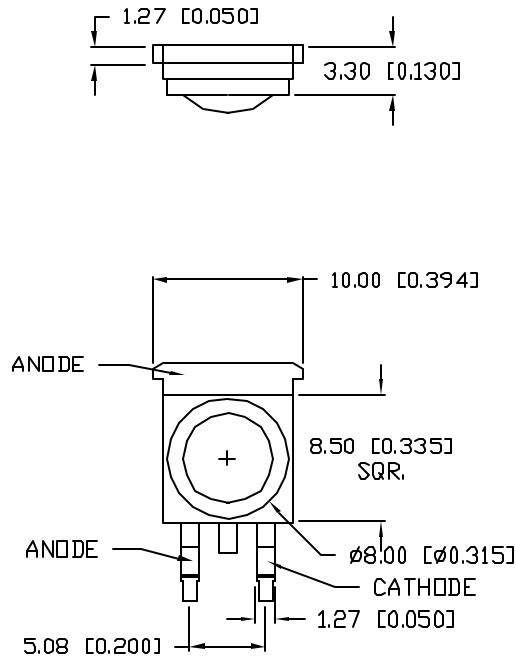


UNCONTROLLED DOCUMENT



CAUTION: STATIC SENSITIVE DEVICE
FOLLOW PROPER E.S.D. HANDLING PROCEDURES
WHEN WORKING WITH THIS PART.



NOTES:

1. 50 PCS. IN EACH TUBE.

PART NUMBER		REV.
SML-LX1610SYC		A
REV.	E.C.N. NUMBER AND REVISION COMMENTS	DATE
A	E.C.N. #11391.	01.16.07

ELECTRO-OPTICAL CHARACTERISTICS $T_A=25^\circ\text{C}$ $I_f=350\text{mA}$

PARAMETER	SYMBOL	MIN	TYP	MAX	UNITS	TEST COND
PEAK WAVELENGTH			592		nm	
FORWARD VOLTAGE	V_f		2.1	3.2	V	$I_f=350\text{mA}$
REVERSE VOLTAGE	V_r	5			V	$I_f=10\mu\text{A}$
AXIAL INTENSITY(*1)	I_v		22		lm	$I_f=350\text{mA}$
VIEWING ANGLE			70		$2 \times \theta$	
EMITTED COLOR:	YELLOW					
EPOXY LENS FINISH:	WATER CLEAR					

LIMITS OF SAFE OPERATION AT 25°C

PARAMETER	SYMBOL	MAX	UNITS
PULSE FORWARD CURRENT	I_p	400	mA
STEADY CURRENT	I_F	350	mA
POWER DISSIPATION	P_D	1.1	W
OPERATING TEMP.	T_{OPR}	-20 TO +70	°C
STORAGE TEMP.	T_{STG}	-40 TO +85	°C

*DUTY 1/10 PULSE WIDTH 10ms

UNCONTROLLED DOCUMENT

*UNLESS OTHERWISE SPECIFIED TOLERANCES PER DECIMAL PRECISION ARE: X=±1 (±0.039), XX=±0.5 (±0.020), XXX=±0.25 (±0.010), XXXX=±0.127 (±0.005). LEAD SIZE=±0.05 (±0.002), LEAD LENGTH=±0.75 (±0.030), MIN= ^{+0.00}/_{-0.00} DECIMAL PRECISION, MAX.= ^{+0.00}/_{-0.00} DECIMAL PRECISION

REV. A	PART NUMBER SML-LX1610SYC	CONFIDENTIAL INFORMATION THE INFORMATION CONTAINED IN THIS DOCUMENT IS THE PROPERTY OF LUMEX INC. EXCEPT AS SPECIFICALLY AUTHORIZED IN WRITING BY LUMEX INC, THE HOLDER OF THIS DOCUMENT SHALL KEEP ALL INFORMATION CONTAINED HEREIN CONFIDENTIAL AND SHALL PROTECT SAME IN WHOLE OR IN PART FROM DISCLOSURE AND DISSEMINATION TO ALL THIRD PARTIES.	290 E. HELEN ROAD PALATINE, IL 60067-6976 PHONE: +1.847.359.2790 US WEB: www.lumex.com TW WEB: www.lumex.com.tw
10.60 x 10mm HIGH POWER LED, 590nm YELLOW LED.		RELIABILITY NOTE OUR MANY YEARS OF EXPERIENCE DATA ACCUMULATION INDICATE THAT SOLDER HEAT IS A MAJOR CAUSE OF EARLY AND FUTURE FAILURE. PLEASE PAY ATTENTION TO YOUR SOLDERING PROCESS.	DRAWN BY: JC CHECKED BY: APPROVED BY: DATE: 8.31.06 PAGE: 1 OF 1 SCALE: N/A

X-ON Electronics

Largest Supplier of Electrical and Electronic Components

Click to view similar products for [Lumex manufacturer](#):

Other Similar products are found below :

[SML-LX15AC-TR](#) [SSF-LXH100HD](#) [SSI-LXR4915SID-150](#) [SSP-13MB152UP12G](#) [SSP-D29B9SYC-12V](#) [SSP-D29E10SUGC-12V](#) [SSP-LT6007U24](#) [LDQ-M513RI](#) [SSA-LXB10GW-GF](#) [SSF-LXH555USBW](#) [SSL-LX5093HD-125](#) [LDS-C416RI](#) [SSP-CA12](#) [SSL-LXA228SGC](#) [SSL-LX20R6YD](#) [SSP-LT600924](#) [SSP-LT6003S24](#) [SSP-D29E10SIC-12V](#) [SSP-D29B9SUGC-12V](#) [SSP-24MB153S12G](#) [SSP-13MDB152UP12G](#) [SSP-11E277U110](#) [SSL-LX5063OD](#) [SML-LXFT1206SOC-TR](#) [LDM-968-P3-UR](#) [LOD-H12864GP-B-UR](#) [LDM-768-1LT-Y1](#) [LDM-768-1LT-R4](#) [LDM-768-1LT-G4](#) [LDS-C413RI](#) [SSP-48TE277U120](#) [SSP-LXS110818BA](#) [LCM-S01602DSF/Q](#) [LDQ-N512RI](#) [SSI-LXH1090SYD-150](#) [LPF-C051303S](#) [SSL-LX20R6ID](#) [LCD-S401C39TR](#) [SSP-8GE276U120](#) [SSP-8FE272UP120](#) [SSP-48TE272UP120](#) [SSI-LXW06DNS-Y](#) [SSF-LXH109SISUGW](#) [SML-LXFT0805SYC-TR](#) [SSP-1157B156U12](#) [LDF-C5612RI](#) [LDS-C514RI](#) [LDS-C816RI](#) [SML-LXR2106SUGC-TR](#) [LCM-S01602DSF/C](#)