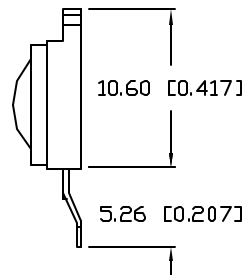
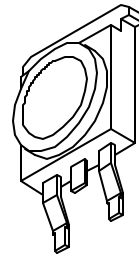
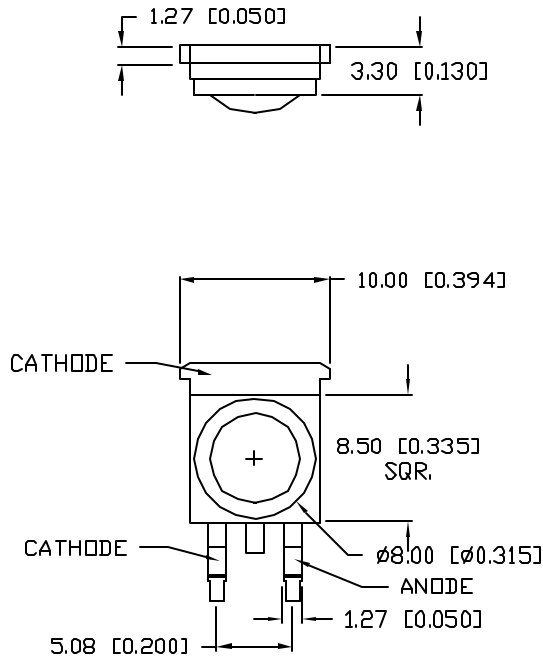


UNCONTROLLED DOCUMENT

PART NUMBER
SML-LX1610UPGC

REV.



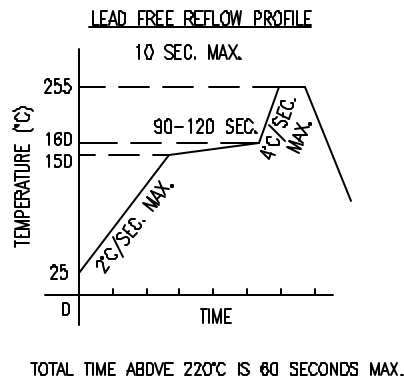
ELECTRO-OPTICAL CHARACTERISTICS $T_A=25^{\circ}\text{C}$ $I_f=350\text{mA}$

PARAMETER	SYMBOL	MIN	TYP	MAX	UNITS	TEST COND
PEAK WAVELENGTH			525		nm	
FORWARD VOLTAGE	V_f		4	2	V	$I_f=350\text{mA}$
REVERSE VOLTAGE	V_r	5			V	$I_f=10\mu\text{A}$
AXIAL INTENSITY(*1)	I_v		25		lm	$I_f=350\text{mA}$
VIEWING ANGLE			70		2x theta	
EMITTED COLOR:			GREEN			
EPOXY LENS FINISH:			WATER CLEAR			

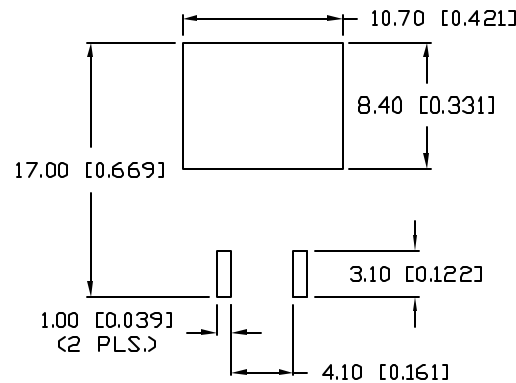
LIMITS OF SAFE OPERATION AT 25°C

PARAMETER	SYMBOL	MAX	UNITS
PULSE FORWARD CURRENT	I_p	500	mA
STEADY CURRENT	I_F	350	mA
POWER DISSIPATION	P_D	1.5	W
OPERATING TEMP.	T_{OPR}	-20 TO +70	°C
STORAGE TEMP.	T_{STG}	-40 TO +85	°C

*DUTY 1/10 PULSE WIDTH 10ms



SOLDER PAD LAYOUT



CAUTION: STATIC SENSITIVE DEVICE
FOLLOW PROPER E.S.D. HANDLING PROCEDURES
WHEN WORKING WITH THIS PART.



NOTES:

1. 50 PCS. IN EACH TUBE.

UNCONTROLLED DOCUMENT

*UNLESS OTHERWISE SPECIFIED TOLERANCES PER DECIMAL PRECISION ARE: X=±1 (±0.039), XX=±0.5 (±0.020), XXX=±0.25 (±0.010), XXXX=±0.127 (±0.005). LEAD SIZE=±0.05 (±0.002), LEAD LENGTH=±0.75 (±0.030), MIN=+DECIMAL PRECISION MAX.=+0.00 -DECIMAL PRECISION

REV.

PART NUMBER

SML-LX1610UPGC

CONFIDENTIAL INFORMATION

THE INFORMATION CONTAINED IN THIS DOCUMENT IS THE PROPERTY OF LUMEX INC. EXCEPT AS SPECIFICALLY AUTHORIZED IN WRITING BY LUMEX INC, THE HOLDER OF THIS DOCUMENT SHALL KEEP ALL INFORMATION CONTAINED HEREIN CONFIDENTIAL AND SHALL PROTECT SAME IN WHOLE OR IN PART FROM DISCLOSURE AND DISSEMINATION TO ALL THIRD PARTIES.

RELIABILITY NOTE

OUR MANY YEARS OF EXPERIENCE DATA ACCUMULATION INDICATE THAT SOLDER HEAT IS A MAJOR CAUSE OF EARLY AND FUTURE FAILURE. PLEASE PAY ATTENTION TO YOUR SOLDERING PROCESS.



290 E. HELEN ROAD
PALATINE, IL 60067-6976
PHONE: +1.847.359.2790
US WEB: www.lumex.com
TW WEB: www.lumex.com.tw

10.60 x 10mm HIGH POWER LED, 525nm GREEN LED.

DRAWN BY:

JD

CHECKED BY:

APPROVED BY:

DATE: 8.31.06

PAGE: 1 OF 1

SCALE: N/A

X-ON Electronics

Largest Supplier of Electrical and Electronic Components

Click to view similar products for [Lumex manufacturer](#):

Other Similar products are found below :

[SML-LX15AC-TR](#) [SSF-LXH100HD](#) [SSI-LXR4915SID-150](#) [SSP-13MB152UP12G](#) [SSP-D29B9SYC-12V](#) [SSP-D29E10SUGC-12V](#) [SSP-LT6007U24](#) [LDQ-M513RI](#) [SSA-LXB10GW-GF](#) [SSF-LXH4RA5GD-5V](#) [SSF-LXH555USBW](#) [SSL-LX5093HD-125](#) [LDS-C416RI](#) [SSP-CA12](#) [SSL-LXA228SGC](#) [SSL-LX20R6YD](#) [SSP-LT600924](#) [SSP-LT6003S24](#) [SSP-D29E10SIC-12V](#) [SSP-D29B9SUGC-12V](#) [SSP-24MB153S12G](#) [SSP-13MDB152UP12G](#) [SSP-11E277U110](#) [SSL-LX5063OD](#) [SML-LXFT1206SOC-TR](#) [LDM-968-P3-UR](#) [LOD-H12864GP-B-UR](#) [LDM-768-1LT-Y1](#) [LDM-768-1LT-R4](#) [LDM-768-1LT-G4](#) [LDS-C413RI](#) [SSP-48TE277U120](#) [SSP-LXS110818BA](#) [LCM-S01602DSF/Q](#) [LDQ-N512RI](#) [SSI-LXH1090SYD-150](#) [LPF-C051303S](#) [SSL-LX20R6ID](#) [LCD-S401C39TR](#) [SSP-8GE276U120](#) [SSP-8FE272UP120](#) [SSP-48TE272UP120](#) [SSI-LXW06DNS-Y](#) [SSF-LXH109SISUGW](#) [SML-LXFT0805SYC-TR](#) [SSP-1157B156U12](#) [LDF-C5612RI](#) [LDS-C514RI](#) [LDS-C816RI](#) [SML-LXR2106SUGC-TR](#)