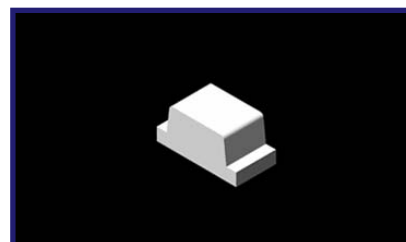
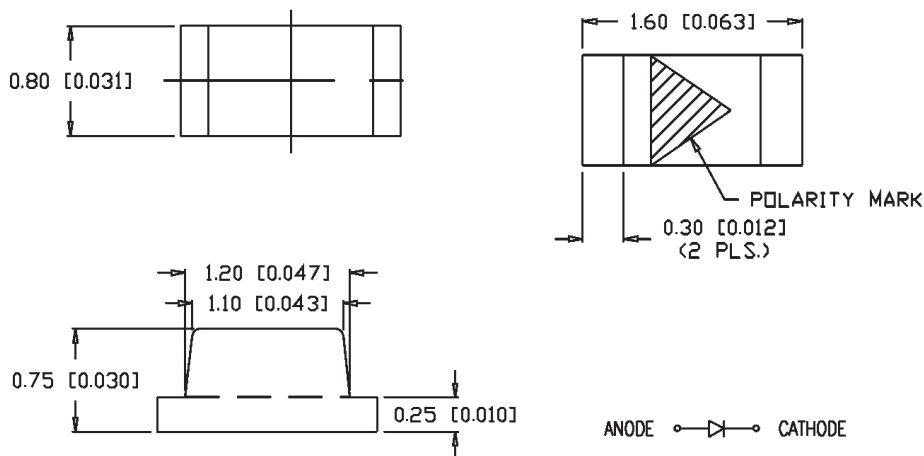


# SMT LEDs ~ PCB Carrier ~ Package Style 0603



## SML-LXFT0603XC-TR

Flat Solder terminals Ultra Thin PCB



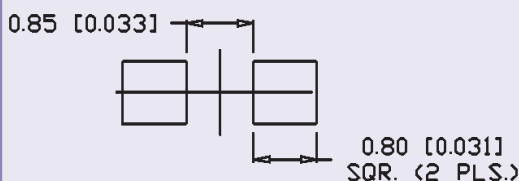
### Features/Options

- ▶ Small 0603 Package
- ▶ State-of-the-Art LED Die
- ▶ Wide Angle of Emission
- ▶ High Volume Capacity Production
- ▶ Quick Delivery
- ▶ All Color Choices Available
- ▶ Gold End Contacts
- ▶ Extra Thin Board

### Applications/Uses

- ▶ Display or Character Backlighting
- ▶ Status Indicators
- ▶ Circuit Fault Indicators
- ▶ Keyboard Post Lighting
- ▶ Medical Diagnostic Instruments

### RECOMMENDED SOLDER PAD LAYOUT



## SML-LXFT0603 Package Style - Super Bright

Flat Solder terminals Ultra Thin PCB

Lumex Part Number	Die Material	Emitted Color	Peak (nm)	Lens	Axial Intensity @ If=20mA	V <sub>f</sub> Typ @ If=20mA	V <sub>f</sub> Max @ If=20mA	View Angle° 2θ	Reel Size (pcs)	Reflow Profile Pg. 138	Tape Specs Pg. 138
SML-LXFT0603SIC-TR	AllnGaP	Super High Intensity Red	636	Clear	150	2.0	2.6	120	4000	Figure 1	Figure A
SML-LXFT0603SOC-TR	AllnGaP	Super Orange	610	Clear	200	2.0	2.5	120	4000	Figure 1	Figure A
SML-LXFT0603SRC-TR	GaAlAs	Super Red	660	Clear	100	1.7	2.2	120	4000	Figure 1	Figure A
SML-LXFT0603SUGCTR	AllnGaP	Super Ultra Green	574	Clear	50	2.2	2.6	120	4000	Figure 1	Figure A
SML-LXFT0603SYC-TR	AllnGaP	Super Yellow	590	Clear	80	2.0	2.5	120	4000	Figure 1	Figure A

## SML-LXFT0603 Package Style - Ultra Bright

Flat Solder terminals Ultra Thin PCB

Lumex Part Number	Die Material	Emitted Color	Peak (nm)	Lens	Axial Intensity @ If=20mA	V <sub>f</sub> Typ @ If=20mA	V <sub>f</sub> Max @ If=20mA	View Angle° 2θ	Reel Size (pcs)	Reflow Profile Pg. 138	Tape Specs Pg. 138
SML-LXFT0603USBC-TR	InGaN	Ultra Super Blue	470	Clear	30	3.5	4.0	120	4000	Figure 1	Figure A
SML-LXFT0603UPGC-TR	InGaN	Ultra Pure Green	525	Clear	45	3.5	4.0	120	4000	Figure 1	Figure A



USA/Canada +1-800-278-5666  
Europe +49-6081-964380  
Asia +886-3-5821124



[www.lumex.com](http://www.lumex.com)



USA/Canada +1-847-359-8904  
Europe +49-6081-964381  
Asia +886-3-5821154

## X-ON Electronics

Largest Supplier of Electrical and Electronic Components

*Click to view similar products for [Standard LEDs - SMD category](#):*

*Click to view products by [Lumex manufacturer](#):*

Other Similar products are found below :

[LTST-C190KYKT](#) [LTST-C19GD2WT](#) [LTST-N683GBEW](#) [LTW-170ZDC](#) [LTW-M140SZS40](#) [598-8110-100F](#) [598-8170-100F](#) [598-8610-202F](#) [67-22VRVGC/TR8](#) [AAAF5060QBFSEEZGS](#) [HLMA-QG00-S0021](#) [HLMP-6305-L0011](#) [ALMD-LB36-SV002](#) [APT1608QGW](#) [15-21UYC/S530-A3/TR8](#) [EAST2012YA0](#) [EASV1803BA0](#) [LG M67K-H1J2-24-0-2-R18-Z](#) [LS A676-P2S1-1](#) [SML310BATT86](#) [SML-LX0606SISUGC/A](#) [SML-LXL1307SRC-TR](#) [SML-LXR851SIUPGUBC](#) [LT1ED53A](#) [FAT801-S](#) [AM27ZGC03](#) [APB3025SGNC](#) [APFA3010SURKCGKQBDC](#) [APHK1608VGCA](#) [APT2012QGW](#) [LTST-C250KGKT](#) [LTW-010DCG](#) [LTW-020ZDCG](#) [LTW-21TS5](#) [LTW-220DS5](#) [LY L29K-H1J2-26](#) [UYGT801-S](#) [42-21UYC/S530-A3/TR8](#) [LO T67F-V1AB-24-1](#) [YGFR411-H](#) [598-8330-117F](#) [SML-LX0402IC-TR](#) [CMDA20AYAA7D1S](#) [CMDA16AYDR7A1X](#) [598-8040-100F](#) [598-8070-100F](#) [598-8140-100F](#) [598-8610-200F](#) [EAST2012GA0](#) [EAPL3527GA5](#)