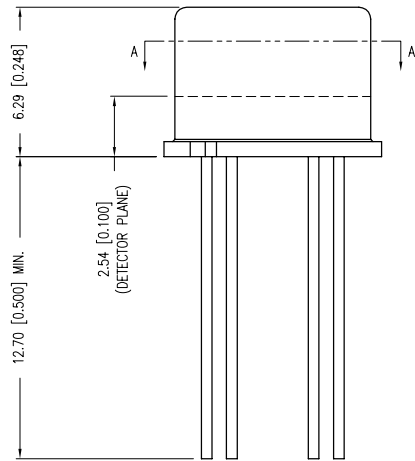


PIN FUNCTION TABLE

PIN NO.	FUNCTION	FILTER
1	COMMON	--
3	ELEM 2	3.85μm
4	ELEM 3	4.26μm
8	ELEM 4	4.60μm
9	ELEM 1	3.34μm

FILTER SPECIFICATIONS

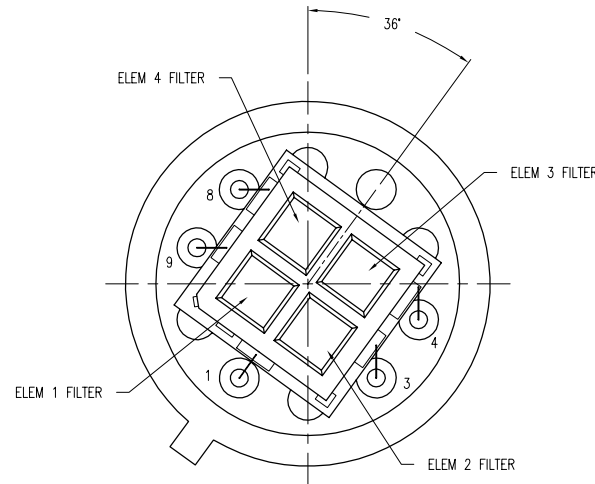
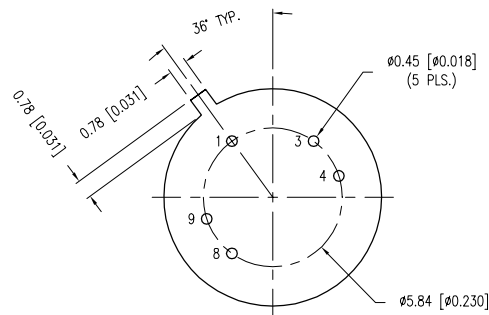
	CWL (μm)	HBW (μm)	TRANSMISSION AT CWL (%)	BW AT 75% TRANSMISSION (μm)
CO2	4.62±.04	±.07 ±.007	>85	>.75 x HBW
CO	4.60±.05	±.07 ±.007	>85	>.75 x HBW
HC	3.34±.03	±.07 ±.007	>55	>.75 x HBW
REF	3.85±.04	±.10 ±.01	>85	>.75 x HBW



SPECIFICATIONS

STANDARD SPECIFICATIONS: ELECTRICAL
 ALL DETECTOR SPECIFICATIONS ARE AT A BIAS VOLTAGE OF 35V/mm DISTANCE BETWEEN ELECTRODES APPLIED ACROSS THE DETECTOR AND WITH A 1MΩ LOAD RESISTOR IN SERIES.

	MIN.	TYP.	MAX.	UNITS
WAVELENGTH OF MAX. RESPONSE		3.8		μm
D*(500K, 1000Hz, 1Hz)	1.0x10 ⁸	1.5x10 ⁹		cm Hz ² W ⁻¹
D*(1pk, 1000Hz, 1Hz)	7.0x10 ⁹	1.5x10 ¹⁰		cm Hz ² W ⁻¹
RESPONSIVITY (1pk, 650Hz)	1.5x10 ⁴	3.0x10 ⁴		V/W
TIME CONSTANT (NOT MEASURED)		2	5	μs
RATED ELEMENT TEMP.			85	°C
ELEMENT SIZE		1x1		mm
DARK RESISTANCE	0.1	0.8	2.5	MΩ/sq.
OPER. TEMP.			23	°C



SECTION A-A

*UNLESS OTHERWISE SPECIFIED TOLERANCES PER DECIMAL PRECISION ARE: X=±1 (±0.039), X.X=±0.5 (±0.020), X.XX=±0.25 (±0.010), X.XXX=±0.127 (±0.005). LEAD SIZE=±0.05 (±0.002), LEAD LENGTH=±0.75 (±0.030). MIN.= +^{DECIMAL PRECISION} -0.00, MAX.= +0.00 -^{DECIMAL PRECISION}



290 E. HELEN ROAD
 PALATINE, IL 60067-6976
 PHONE: +1.847.359.2790
 FAX: +1.847.359.6538
 WEB: WWW.LUMEX.COM

4 ELEMENT PbSe

THE SPECIFICATIONS MAY CHANGE AT ANY TIME WITHOUT NOTICE DUE TO NEW MATERIALS OR PRODUCT IMPROVEMENT.

CONFIDENTIAL INFORMATION
 THE INFORMATION CONTAINED IN THIS DOCUMENT IS THE PROPERTY OF LUMEX INC. EXCEPT AS SPECIFICALLY AUTHORIZED IN WRITING BY LUMEX INC., THE HOLDER OF THIS DOCUMENT SHALL KEEP ALL INFORMATION CONTAINED HEREIN CONFIDENTIAL AND SHALL PROTECT SAME IN WHOLE OR IN PART FROM DISCLOSURE AND DISSEMINATION TO ALL THIRD PARTIES.

DATE:	02.09.11	DRAWN BY:	AB
PAGE:	1 OF 1	CHKD BY:	KF
SCALE:	NTS	APRVD BY:	BC
UNIT:	mm [INCH]		Ⓟ

X-ON Electronics

Largest Supplier of Electrical and Electronic Components

Click to view similar products for [Infrared Detectors](#) category:

Click to view products by [Lumex](#) manufacturer:

Other Similar products are found below :

[HOA6517-001](#) [HOA6540-001](#) [HOA6542-001](#) [HOA6571-001](#) [HOA6572-001](#) [HOA6489-050](#) [HOA6531-001](#) [HOA6532-001](#) [HOA6546-001](#)
[HOA6570-001](#) [HOA6573-001](#) [HOA6536-001](#) [HOA6548-001](#) [HOA6544-001](#) [G-TPCO-035](#) [ZTP-135L](#) [ZTP-135BS](#) [ZTP-101T](#) [ZTP-115M](#)
[ZTP-115-Std](#) [ZTP-135](#) [ZTP-135SR](#) [ZTP-148SR](#) [ZTP-148SRC1](#) [USEQFCSA448100](#) [USEQFCSA500100](#) [USEQFCSA435100](#)
[USEQFCSA550100](#) [USEQFCSA455100](#) [USEQFCSA391100](#) [USEQFCSA338100](#) [IML-0687](#) [EPR44112](#) [EPR44212](#) [EPR44252](#) [ePR44282](#)
[EPY12111](#) [EPY12121](#) [EPY12211](#) [EPY12221](#) [EPY12231](#) [EPY12241](#) [EPY12251](#) [EPY12261](#) [EPY21114](#) [EPY22111](#) [EPY22114](#) [PY0234](#)
[PY0317](#) [PY0573](#)