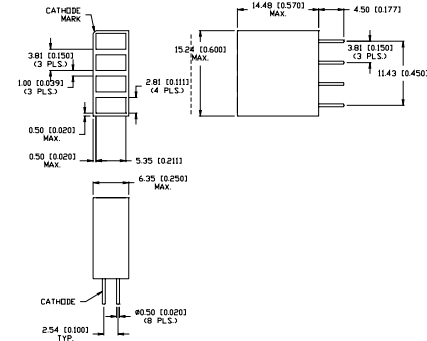


SSA-LXB4355 Series

2.8x5.35mm Rectangular COB Array, 4 Chips



FEATURES / OPTIONS

- ▶ State-of-the-Art, High Intensity Chip Technology
- ▶ Pre-Sorted Chips for Color & Industry Uniformity
- ▶ Easy Installation Over Using Individual LEDs
- ▶ Choice of Colors and Color Combinations
- ▶ Custom Arrays, Easily Developed, Low Minimum

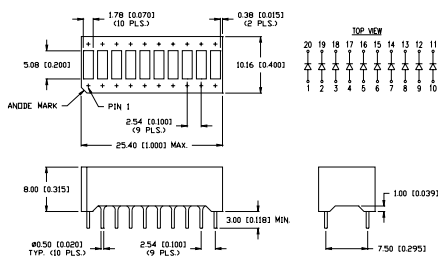
APPLICATIONS / USES

- ▶ Level, VU, Power Indicators
- ▶ Ladder or Range Annunciator
- ▶ Professional Audio Equipment
- ▶ Power Stations, Power Level Indicator
- ▶ Medical Diagnostics, Test Equipment
- ▶ Industrial Control Panels

Lumex Part Number	Die Material	Emitted Color	Peak (nm)	Lens	Operating Current (mA)	Operating TYP. Vf (V)	Brightness TYP. Mcd	@ mA	View Angle° 2θ
HIGH BRIGHTNESS									
SSA-LXB4355SIW	AlInGaP	Super High Intensity Red	636	Milky White Diffused	5-25	2	80	20	160
SSA-LXB4355SOW	AlInGaP	Super Orange	610	Milky White Diffused	5-25	2	80	20	160
SSA-LXB4355SUGW	AlInGaP	Super Ultra Green	574	Milky White Diffused	5-25	2.2	40	20	160
SSA-LXB4355SYW	AlInGaP	Super Yellow	590	Milky White Diffused	5-25	2	80	20	160
SSA-LXB4355USBW	InGaN/SiC	Ultra Super Blue	470	Milky White Diffused	5-25	3.5	50	20	160

SSA-LXB10 Series

1.78x5mm Rectangular COB Array, 10 Chips



FEATURES / OPTIONS

- ▶ State-of-the-Art, High Brightness Chip Technology
- ▶ Pre-Sorted Chips Prior to Bonding on PCB
- ▶ Easy Installation Over Using Individual LEDs
- ▶ Choice of Colors and Color Combinations
- ▶ White Reflector to Maximize Light Output
- ▶ Custom Arrays, Easily Developed, Low Minimum
- ▶ Black or Gray Face for High Contrast

APPLICATIONS / USES

- ▶ Level, VU, Power Indicators
- ▶ Ladder or Range Annunciator
- ▶ Professional Audio Equipment
- ▶ Power Stations, Power Level Indicator
- ▶ Medical Diagnostics, Test Equipment
- ▶ Industrial Control Panels

Lumex Part Number	Die Material	Emitted Color	Peak (nm)	Lens	Operating Current (mA)	Operating TYP. Vf (V)	Brightness TYP. Mcd	@ mA	View Angle° 2θ
HIGH BRIGHTNESS									
SSA-LXB10SIW	AlInGaP	Super High Intensity Red	636	Milky White Diffused	5-25	2	80	20	160
SSA-LXB10SOW	AlInGaP	Super Orange	610	Milky White Diffused	5-25	2	80	20	160
SSA-LXB10SUGW	AlInGaP	Super Ultra Green	574	Milky White Diffused	5-25	2.2	40	20	160
SSA-LXB10SYW	AlInGaP	Super Yellow	590	Milky White Diffused	5-25	2	80	20	160
SSA-LXB10USBW	InGaN/SiC	Ultra Super Blue	470	Milky White Diffused	5-25	3.5	50	20	160
STANDARD BRIGHTNESS									
SSA-LXB10GW	GaP	Green	565	Milky White Diffused	5-25	2.2	12	20	160
SSA-LXB10IW	GaAsP	High Intensity Red	635	Milky White Diffused	5-25	2.0	12	20	160
SSA-LXB10SRW	GaAlAs	Super Red	660	Milky White Diffused	5-25	1.8	50	20	160
SSA-LXB10YW	GaAsP	Yellow	585	Milky White Diffused	5-25	2.1	12	20	160



USA/Canada 1-800-278-5666
Asia +886-3-5821124



www.lumex.com



USA/Canada 1-847-359-8904
Asia +886-3-5821154

X-ON Electronics

Largest Supplier of Electrical and Electronic Components

Click to view similar products for [LED Bars and Arrays](#) category:

Click to view products by [Lumex](#) manufacturer:

Other Similar products are found below :

[SSA-LXB10GW-18751](#) [SSA-LXB10YW](#) [SSA-LXH1025I1G7XXD](#) [LTL-2450Y](#) [CSS-414G-11](#) [SSA-LXB10IW](#) [SSB-LX2301SIW](#) [TOS-4102BR-N](#) [SSA-LXB10-IYG8W-1](#) [ADI-AL4554-470](#) [LPB-R0112051S](#) [DI-5GWB](#) [LTA-1000E](#) [LTL-57173HR](#) [HLMP-2655-EF000](#) [HLMP-2820-FG000](#) [KB-2600ID](#) [L-1043GDT](#) [L-875/4IDT](#) [L-875/4SRDT](#) [DC10EGWA](#) [LF1B-NA3P-2THWW2-3M](#) [LF1B-NC3P-2THWW2-3M](#) [LTL-2500G](#) [LTL-2685HR](#) [SSA-LXB10GW](#) [LTA-1000HR](#) [HLMP-2685](#) [HLMP-2400](#) [HLMP-2300](#) [L-875/4YDT](#) [SSB-LXH100SRW](#) [SSB-LX2620IW](#) [SSB-LX2400YW](#) [LPB-S01110101S](#) [DC10SURKWA](#) [LF1B-NA4P-2THWW2-3M](#) [LF1B-NB3P-2THWW2-3M](#) [KB2450SYKW](#) [KB2835CGKD](#) [L-1043IDT](#) [L-1043YDT](#) [L-835/2GDT](#) [LF1B-NF3P-2THWW2-3M](#) [HLCP-B100](#) [HLMP-2450](#) [HLMP-2800](#) [HLCP-H100](#) [HLMP-2300-EF000](#) [HLMP-2400-EF000](#)