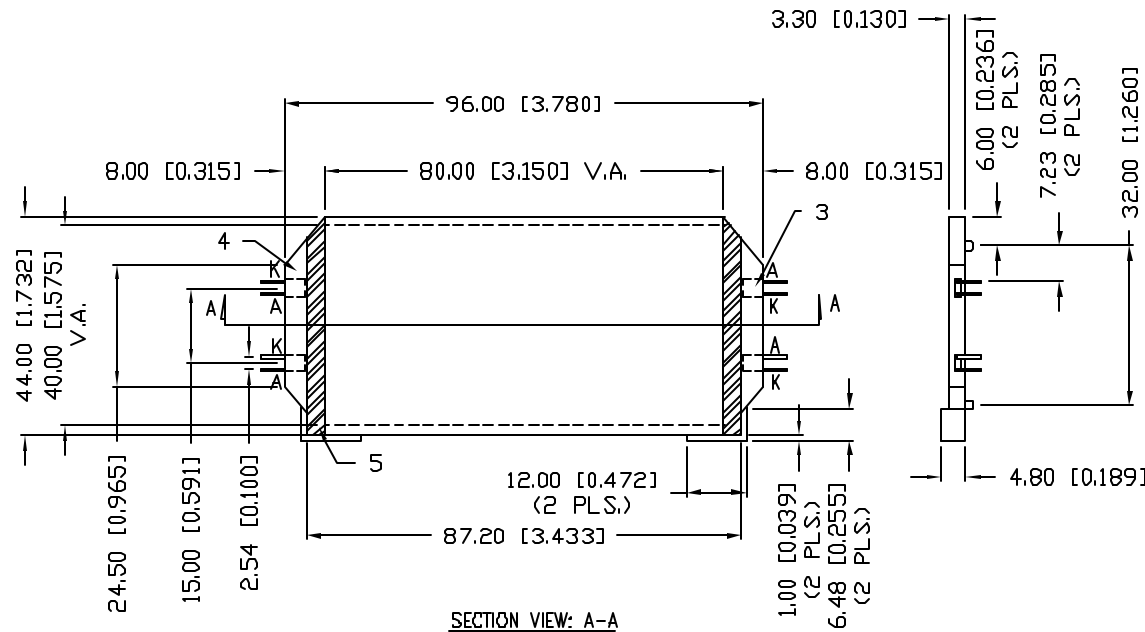


UNCONTROLLED DOCUMENT

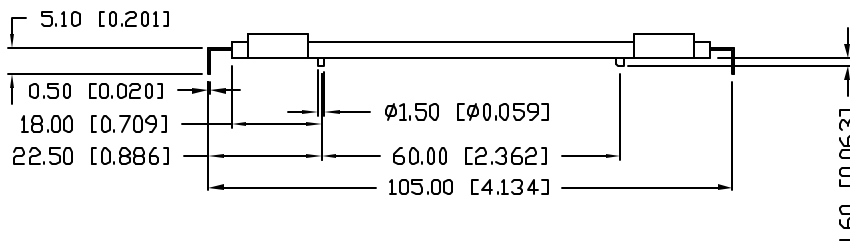
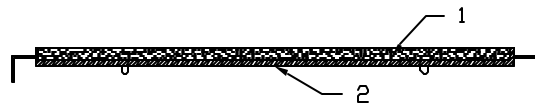
PART NUMBER
SSB-CEL8040UWW

REV.
A

REV.	E.C.N. NUMBER AND REVISION COMMENTS	DATE
A	E.C.N. #11251.	6.6.05



SECTION VIEW: A-A



*UNLESS OTHERWISE SPECIFIED TOLERANCES PER DECIMAL PRECISION ARE: X=±1 (±0.039), XX=±0.5 (±0.020), XXX=±0.25 (±0.010), XXXX=±0.127 (±0.005). LEAD SIZE=±0.05 (±0.002), LEAD LENGTH=±0.75 (±0.030), MIN= ^{+DECIMAL PRECISION} _{-0.00}, MAX= ^{+0.00} _{-DECIMAL PRECISION}

ELECTRO-OPTICAL CHARACTERISTICS $T_A=25^\circ\text{C}$ PER MODULE $I_f=10\text{mA} \times 4$

PARAMETER	MIN	TYP	MAX	UNITS	TEST COND
PEAK WAVELENGTH	-	-	-	nm	
FORWARD VOLTAGE	-	3.5	3.8	V_f	
REVERSE VOLTAGE	5	-	-	V_r	$I_r=0.7\text{mA}$
LUMINOUS INTENSITY(*1)	-	140	-	cd/m^2	$I_f=10\text{mA} \times 4$
CHROMATICITY X	-	0.31	-		
COORDINATES(*2) Y	-	0.30	-		$I_f=10\text{mA} \times 4$
EMITTED COLOR:	WHITE				
REFLECTOR FINISH:	WHITE DIFFUSED				

*1. LUMINOUS INTENSITY TESTING CONDITION: 550nm WAVELENGTH.
*2. THE ICI STANDARD COLORIMETRIC SYSTEM.

LIMITS OF SAFE OPERATION AT 25°C PER MODULE

PARAMETER	MAX	UNITS
STEADY CURRENT	25 x 4	mA
POWER DISSIPATION	95 x 4	mW
OPERATING TEMP.	-25 TO +85	°C
STORAGE TEMP.	-25 TO +85	°C
SOLDERING TEMP.	+260	°C
2.0mm FROM BODY		3 SEC. MAX

NOTES:

1. LIGHT GUIDE.
2. HOUSING REFLECTOR.
3. SSL-LX123544UWC (4 PCS.).
4. SHADING TAPE.
5. DOUBLE SIDED TAPE.

UNCONTROLLED DOCUMENT

REV.	PART NUMBER
A	SSB-CEL8040UWW

80mm x 40mm VIEW AREA, CUSTOM EDGE LIT LED BACKLIGHT,
WHITE LED, 4 CHIPS, 3.5V @ 10mA PER CHIP.

CONFIDENTIAL INFORMATION
THE INFORMATION CONTAINED IN THIS DOCUMENT IS THE PROPERTY OF LUMEX INC. EXCEPT AS SPECIFICALLY AUTHORIZED IN WRITING BY LUMEX INC, THE HOLDER OF THIS DOCUMENT SHALL KEEP ALL INFORMATION CONTAINED HEREIN CONFIDENTIAL AND SHALL PROTECT SAME IN WHOLE OR IN PART FROM DISCLOSURE AND DISSEMINATION TO ALL THIRD PARTIES.

RELIABILITY NOTE
OUR MANY YEARS OF EXPERIENCE DATA ACCUMULATION INDICATE THAT SOLDER HEAT IS A MAJOR CAUSE OF EARLY AND FUTURE FAILURE. PLEASE PAY ATTENTION TO YOUR SOLDERING PROCESS.



290 E. HELEN ROAD
PALATINE, IL 60067-6976
PHONE: +1.847.359.2790
US WEB: www.lumex.com
TW WEB: www.lumex.com.tw

DRAWN BY: JD	CHECKED BY:	APPROVED BY:	DATE: 9.13.04
			PAGE: 1 OF 1
			SCALE: N/A

X-ON Electronics

Largest Supplier of Electrical and Electronic Components

Click to view similar products for [LED Backlighting](#) category:

Click to view products by [Lumex](#) manufacturer:

Other Similar products are found below :

[SSB-COB7540GW](#) [SSB-DL6528SRW](#) [SSB-CEL8040UWW](#) [8718696543603](#) [8718696711033](#) [0025 INT NATURAL BLUE](#) [0100 INT CLASSIC GLACIER WHITE](#) [0100 INT EXTREME ORANGE](#) [0100 INT NATURAL BLUE](#) [0200 INT EXTREME BLUE GREEN](#) [30531](#) [30565](#) [30590](#) [4052899326453](#) [44865WFL](#) [44892WFL](#) [JDR20W38 E14](#) [44870WFL](#) [MR16 60ST 20W](#) [MR16 60ST 50W](#) [64695 ECO](#) [64701](#) [ECO](#) [64760](#) [44890WFL](#) [SL2CD](#) [SKU 165](#) [SKU 167](#) [SKU 193](#) [SKU 194](#) [SKU 203](#) [4052899973428](#) [8718696537015](#) [8718696728352](#) [8718291787051](#) [8727900964073](#) [8727900964271](#) [8727900964295](#) [8727900964479](#) [8727900964516](#) [8727900964875](#) [DSD 1000](#) [DSD 2000](#) [EA LED40X33-ERW](#) [EB8004](#) [EB8005](#) [EB8006](#) [EB8007](#) [EB8010](#) [EB8011](#) [EB8012](#)