

SSB-LX510XX SERIES 12.25mm LIGHT BAR (2) LED CHIPS

LUMEX PART NBR	EMITTED COLOR		EPOXY LENS COLOR	BRIGHTNESS		VIEW ANGLE	VI@20mA	
	PEAK(nm)	LENS COLOR		TYP.(mcd.)	I(mA)		TYP.	MAX.
SSB-LX510ID	RED	635	RED DIFF.	20	20	160	2.0	2.8
SSB-LX510SRD	RED	660	RED DIFF.	45	20	160	1.7	2.2
SSB-LX510GD	GREEN	565	GREEN DIFF.	20	20	160	2.1	2.8
SSB-LX510YD	YELLOW	585	YELLOW DIFF.	20	20	160	2.1	2.8

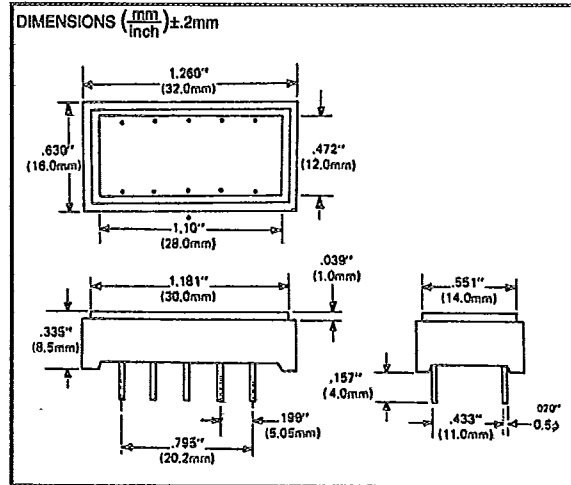
FEATURES
 • Four Color Options
 • Bar Light Source
 • Multi-Chip Assembly
 • Molded White Reflector Case

APPLICATIONS
 • Back Lighting of Legends
 • Large Indicators
 • Status Indicators

OPTIONS AVAILABLE
 • Colored Lenses Standard
 • White Diffused Optional

RATING ARE PER CHIP

See pages 8 -14 for Max. operating limits and operating curves



SSB-LX835XX SERIES 5x10mm LIGHT BAR (2) LED CHIPS

LUMEX PART NBR	EMITTED COLOR		EPOXY LENS COLOR	BRIGHTNESS		VIEW ANGLE	VI@20mA	
	PEAK(nm)	LENS COLOR		TYP.(mcd.)	I(mA)		TYP.	MAX.
SSB-LX835ID	RED	635	RED DIFF.	6	20	160	2.0	2.8
SSB-LX835SRD	RED	660	RED DIFF.	18	20	160	1.7	2.2
SSB-LX835GD	GREEN	565	GREEN DIFF.	6	20	160	2.1	2.8
SSB-LX835YD	YELLOW	585	YELLOW DIFF.	6	20	160	2.1	2.8

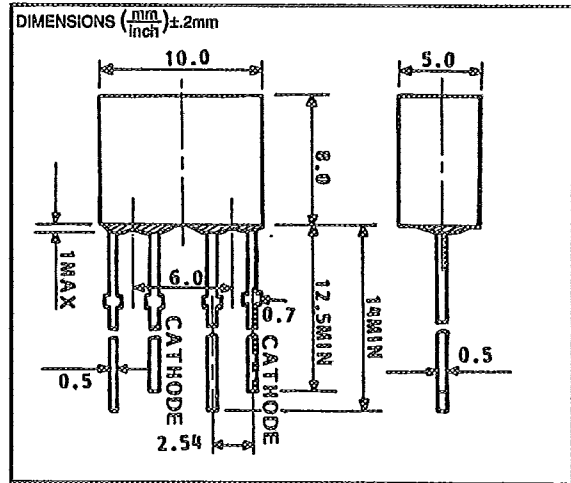
FEATURES
 • Four Color Options
 • Bar Light Source
 • Multi-Chip Assembly
 • Low Cost Construction

APPLICATIONS
 • Back Lighting of Legends
 • Large Indicators
 • Status Indicators

OPTIONS AVAILABLE
 • Colored Lenses Standard
 • White Diffused Optional
 • Multi-Color Units

RATING ARE PER CHIP

See pages 8 -14 for Max. operating limits and operating curves



SSB-LX845XX SERIES 5x16mm LIGHT BAR (3) LED CHIPS

LUMEX PART NBR	EMITTED COLOR		EPOXY LENS COLOR	BRIGHTNESS		VIEW ANGLE	VI@20mA	
	PEAK(nm)	LENS COLOR		TYP.(mcd.)	I(mA)		TYP.	MAX.
SSB-LX845ID	RED	635	RED DIFF.	8	20	160	2.0	2.8
SSB-LX845SRD	RED	660	RED DIFF.	24	20	160	1.7	2.2
SSB-LX845GD	GREEN	565	GREEN DIFF.	8	20	160	2.1	2.8
SSB-LX845YD	YELLOW	585	YELLOW DIFF.	8	20	160	2.1	2.8

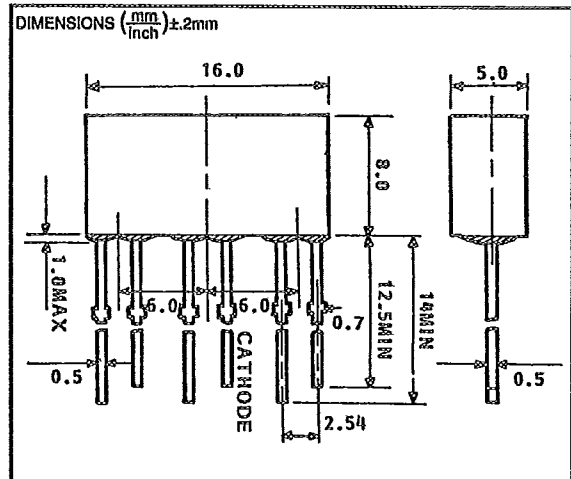
FEATURES
 • Four Color Options
 • Bar Light Source
 • Multi-Chip Assembly

APPLICATIONS
 • Back Lighting of Legends
 • Large Indicators
 • Status Indicators

OPTIONS AVAILABLE
 • Colored Lenses Standard
 • White Diffused Optional
 • Multi-Color Units

RATING ARE PER CHIP

See pages 8 -14 for Max. operating limits and operating curves



X-ON Electronics

Largest Supplier of Electrical and Electronic Components

Click to view similar products for [LED Bars and Arrays](#) category:

Click to view products by [Lumex](#) manufacturer:

Other Similar products are found below :

[SSA-LXB10GW-18751](#) [SSA-LXB10YW](#) [SSA-LXH1025I1G7XXD](#) [LTL-2450Y](#) [CSS-414G-11](#) [SSA-LXB10IW](#) [SSB-LX2301SIW](#) [TOS-4102BR-N](#) [SSA-LXB10-IYG8W-1](#) [ADI-AL4554-470](#) [LPB-R0112051S](#) [DI-5GWB](#) [LTA-1000E](#) [LTL-57173HR](#) [HLMP-2655-EF000](#) [HLMP-2820-FG000](#) [KB-2600ID](#) [L-1043GDT](#) [L-875/4IDT](#) [L-875/4SRDT](#) [DC10EGWA](#) [LF1B-NA3P-2THWW2-3M](#) [LF1B-NC3P-2THWW2-3M](#) [LTL-2500G](#) [LTL-2685HR](#) [SSA-LXB10GW](#) [LTA-1000HR](#) [HLMP-2685](#) [HLMP-2400](#) [HLMP-2300](#) [L-875/4YDT](#) [SSB-LXH100SRW](#) [SSB-LX2620IW](#) [SSB-LX2400YW](#) [LPB-S01110101S](#) [DC10SURKWA](#) [LF1B-NA4P-2THWW2-3M](#) [LF1B-NB3P-2THWW2-3M](#) [KB2450SYKW](#) [KB2835CGKD](#) [L-1043IDT](#) [L-1043YDT](#) [L-835/2GDT](#) [LF1B-NF3P-2THWW2-3M](#) [HLCP-B100](#) [HLMP-2450](#) [HLMP-2800](#) [HLCP-H100](#) [HLMP-2300-EF000](#) [HLMP-2400-EF000](#)