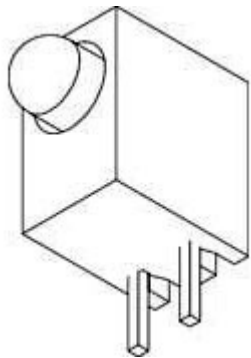




We Tame Photons to Work for You!



Products > LED Indicators > PCB Indicators > Assembled Housing > Round > 3mm > Single Level > 2 Leaded > 0.20" from PCB > Standard



### Features / Options

- ▶ Vertical Positioning
- ▶ Multi-Unit Construction
- ▶ Polarity Orientation Holder
- ▶ Choice of Colors and Lenses

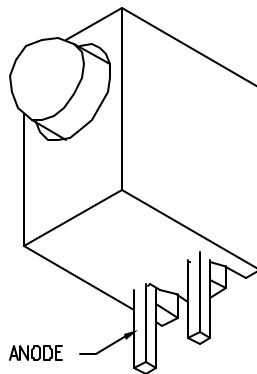
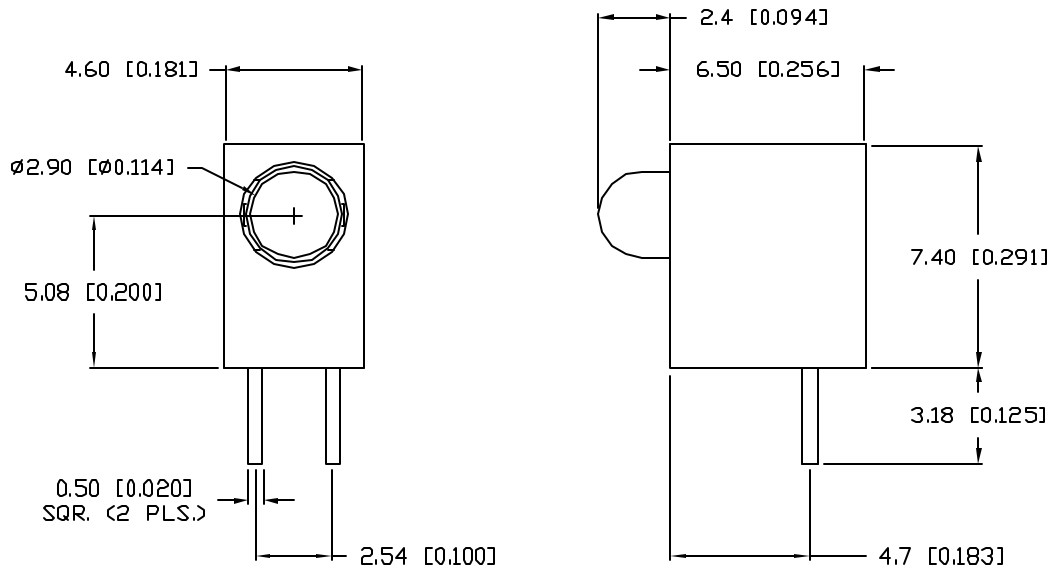
### Applications / Uses

- ▶ Board Level Status Indicators
- ▶ Board Level Fault Indicators
- ▶ Warning/Alarm Signaling
- ▶ Circuit Fault Finder Indicators

Part Number:	Brightness	Material	Emitted Color	Wavelength	Intensity	View Angle	Voltage		
SSF-LXH103BID	STANDARD	GaAsP	Blinking Red	635		60	3-15		—
SSF-LXH103GD	STANDARD	GaP	Green	565	30	60	2.1		—
SSF-LXH103GD	STANDARD	GaP	Green	565	30	60	2.1		—
SSF-LXH103HGW	STANDARD	GaP	Red/Green	695/565	4/8	60	2.1		—
SSF-LXH103ID	STANDARD	GaAsP	Red	635	30	60	2.1		—
SSF-LXH103ID	STANDARD	GaAsP	Red	635	30	60	2.1		—
SSF-LXH103LGD	STANDARD	GaP	Green	565	15	60	1.8		—
SSF-LXH103LID	STANDARD	GaAsP	Red	635	40	60	1.8		—
SSF-LXH103LYD	STANDARD	GaAsP	Yellow	585		60	1.8		—
SSF-LXH103SID	HIGH	AllnGaP	Red	636	100	60	2.0		—
SSF-LXH103SOD	HIGH	AllnGaP	Orange	610	100	60	2.0		—

UNCONTROLLED DOCUMENT

PART NUMBER  
SSF-LX



ELECTRO-OPTICAL CHARACTERISTICS TABLE

PARAMETER	MIN
PEAK WAVELENGTH	630
FORWARD VOLTAGE	
REVERSE VOLTAGE	5.0
AXIAL INTENSITY	1.0
VIEWING ANGLE	
EMITTED COLOR:	RED
EPOXY LENS FINISH:	RED DIFFUSED

LIMITS OF SAFE OPERATION AT 25°C

PARAMETER	MIN
PEAK FORWARD CURRENT*	
STEADY CURRENT	
POWER DISSIPATION	
DERATE FROM 25°C	
OPERATING, STORAGE TEMP.	
SOLDERING TEMP.	
2.0mm FROM BODY	

\*  $t < 10\mu S$

NOTES:

- SSH-LXH103 HOLDER.
- SSL-LX3044LID LED.

\*UNLESS OTHERWISE SPECIFIED TOLERANCES PER DECIMAL PRECISION ARE: X=±1 (±0.039), XX=±0.5 (±0.020), XXX=±0.25 (±0.010), XXXX=±0.127 (±0.005), LEAD SIZE=±0.05 (±0.002), LEAD LENGTH=±0.75 (±0.030)

REV.	PART NUMBER SSF-LXH103LID
------	------------------------------

T-3mm SINGLE LEVEL, FAULT INDICATOR,  
LOW CURRENT OPERATION, RED DIFFUSED.

**CONFIDENTIAL INFORMATION**  
THE INFORMATION CONTAINED IN THIS DOCUMENT IS THE PROPERTY OF LUMEX INC. EXCEPT AS SPECIFICALLY AUTHORIZED IN WRITING BY LUMEX INC., THE HOLDER OF THIS DOCUMENT SHALL KEEP ALL INFORMATION CONTAINED HEREIN CONFIDENTIAL AND SHALL PROTECT SAME IN WHOLE OR IN PART FROM DISCLOSURE AND DISSEMINATION TO ALL THIRD PARTIES.

**RELIABILITY NOTE**  
OUR MANY YEARS OF EXPERIENCE DATA ACCUMULATION INDICATE THAT SOLDER HEAT IS A MAJOR CAUSE OF EARLY AND FUTURE FAILURE. PLEASE PAY ATTENTION TO YOUR SOLDERING PROCESS.



DRAWN BY:      CHECKED BY:

JD

UNCONTROLLED DOCUMENT

## X-ON Electronics

Largest Supplier of Electrical and Electronic Components

*Click to view similar products for [LED Circuit Board Indicators](#) category:*

*Click to view products by [Lumex](#) manufacturer:*

Other Similar products are found below :

[568-0701-841F](#) [LTL-4221NH129](#) [LTL-42DGNMHDP1](#) [HLMP1521101](#) [HLMP1523802F](#) [HLMP1700101F](#) [HLMP1700104F](#) [BHA-1564-G](#)  
[SMF-HM1530YD-305](#) [SSF-LXH409SYSUGW](#) [AM2520EHSGD](#) [HLMP1301104F](#) [HLMP1385101F](#) [HLMP1421101](#) [HLMP1503103F](#)  
[HLMP1503104F](#) [HLMP1700102F](#) [HLMP1700106F](#) [HLMP1700107F](#) [HLMP1790101F](#) [HLMP1790103F](#) [LTL-4211NHBP](#) [5390H3](#) [5390H5](#)  
[551-2802F](#) [552-0794-810F](#) [553-0222-812F](#) [HT3-BC-T](#) [564-0700-831F](#) [WP59BLGEW](#) [103-3101-1231-403](#) [5502407811F](#) [550-3007-810F](#)  
[551-3307MF](#) [552080-1](#) [573-2399-100F](#) [592-2020-302F](#) [5932-927-2701-3F](#) [SMF-HM1530SRD-509](#) [SSF-LXH100MID](#) [SSF-](#)  
[LXH2103SRSRDRP](#) [SSF-LXH555USBW](#) [WP937SB/4YGW](#) [WP937EB2EGW](#) [HT3-BLU-T](#) [551-0312-802F](#) [553-0110-802F](#) [561-5501-050F](#)  
[6202T3-5VLC](#) [MV60538MP7](#)