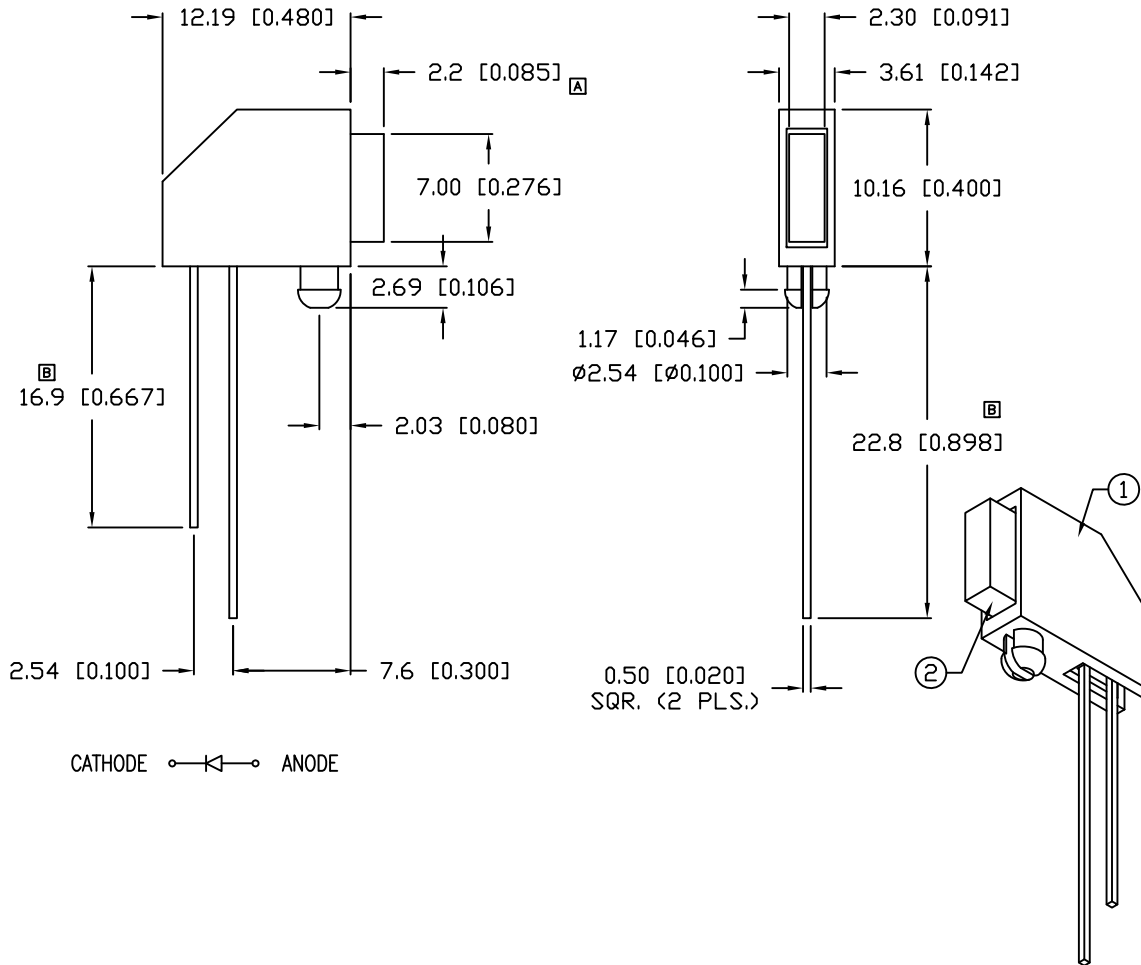


| DATE    | E.C.N. NUMBER AND REVISION COMMENTS | REV. |
|---------|-------------------------------------|------|
| 11.3.97 | E.C.N. #10BRDR & #10394.            | A    |
| 5.28.15 | ECN #11955                          | B    |



ELECTRO-OPTICAL CHARACTERISTICS  $T_A=25^\circ\text{C}$   $I_f=20\text{mA}$

| PARAMETER          | MIN             | TYP          | MAX | UNITS    | TEST COND            |
|--------------------|-----------------|--------------|-----|----------|----------------------|
| PEAK WAVELENGTH    |                 | 585 (YELLOW) |     | nm       |                      |
| FORWARD VOLTAGE    |                 | 2.1          | 2.5 | $V_f$    |                      |
| REVERSE VOLTAGE    | 5.0             |              |     | $V_r$    | $I_f=100\mu\text{A}$ |
| AXIAL INTENSITY    |                 | 9            |     | mcd      | $I_f=20\text{mA}$    |
| VIEWING ANGLE      |                 | 110          |     | 2x theta |                      |
| EMITTED COLOR:     | YELLOW          |              |     |          |                      |
| EPOXY LENS FINISH: | YELLOW DIFFUSED |              |     |          |                      |

LIMITS OF SAFE OPERATION AT  $25^\circ\text{C}$

| PARAMETER                      | MAX        | UNITS                      |
|--------------------------------|------------|----------------------------|
| PEAK FORWARD CURRENT*          | 150        | mA                         |
| STEADY CURRENT                 | 30         | mA                         |
| POWER DISSIPATION              | 105        | mW                         |
| DERATE FROM $25^\circ\text{C}$ | -1.2       | $\text{mW}/^\circ\text{C}$ |
| OPERATING, STORAGE TEMP.       | -40 TO +85 | $^\circ\text{C}$           |
| SOLDERING TEMP.                | +260       | $^\circ\text{C}$           |
| 2.0mm FROM BODY                |            | 3 SEC. MAX                 |

\*  $t < 10\mu\text{s}$

NOTES:

- SSL-LX25783YD
- SSH-LXH25780 HOLDER, BLACK

\*UNLESS OTHERWISE SPECIFIED TOLERANCES PER DECIMAL PRECISION ARE: X= $\pm 1$  ( $\pm 0.039$ ), X.X= $\pm 0.5$  ( $\pm 0.020$ ), X.XX= $\pm 0.25$  ( $\pm 0.010$ ), X.XXX= $\pm 0.127$  ( $\pm 0.005$ ). LEAD SIZE= $\pm 0.05$  ( $\pm 0.002$ ), LEAD LENGTH= $\pm 0.75$  ( $\pm 0.030$ ). MIN.= +DECIMAL PRECISION MAX.= +0.00 -DECIMAL PRECISION

|                                                              |                                |
|--------------------------------------------------------------|--------------------------------|
| REV.<br>B                                                    | PART NUMBER<br>SSF-LXH25780SYD |
| 2.5MM X 7MM RECTANGULAR, RIGHT ANGLE LED,<br>YELLOW DIFFUSED |                                |

**CONFIDENTIAL INFORMATION**  
THE INFORMATION CONTAINED IN THIS DOCUMENT IS THE PROPERTY OF LUMEX INC. EXCEPT AS SPECIFICALLY AUTHORIZED IN WRITING BY LUMEX INC., THE HOLDER OF THIS DOCUMENT SHALL KEEP ALL INFORMATION CONTAINED HEREIN CONFIDENTIAL AND SHALL PROTECT SAME IN WHOLE OR IN PART FROM DISCLOSURE AND DISSEMINATION TO ALL THIRD PARTIES.

**RELIABILITY NOTE**  
OUR MANY YEARS OF EXPERIENCE DATA ACCUMULATION INDICATE THAT SOLDER HEAT IS A MAJOR CAUSE OF EARLY AND FUTURE FAILURE. PLEASE PAY ATTENTION TO YOUR SOLDERING PROCESS.



425 N. GARY AVE.  
CAROL STREAM, IL 60188-4900  
PHONE: +1.800.278.5666  
FAX: +1.630.315.2152  
WEB: WWW.ITWECS.COM

|                 |             |              |                                              |
|-----------------|-------------|--------------|----------------------------------------------|
| DRAWN BY:<br>AB | CHECKED BY: | APPROVED BY: | DATE: 01.01.01<br>PAGE: 1 OF 1<br>SCALE: N/A |
|-----------------|-------------|--------------|----------------------------------------------|

## X-ON Electronics

Largest Supplier of Electrical and Electronic Components

*Click to view similar products for [LED Circuit Board Indicators](#) category:*

*Click to view products by [Lumex](#) manufacturer:*

Other Similar products are found below :

[568-0701-841F](#) [LTL-4221NH129](#) [LTL-42DGNMHDP1](#) [HLMP1521101](#) [HLMP1523802F](#) [HLMP1700101F](#) [HLMP1700104F](#) [BHA-1564-G](#)  
[SMF-HM1530YD-305](#) [SSF-LXH409SYSUGW](#) [AM2520EHSGD](#) [HLMP1301104F](#) [HLMP1385101F](#) [HLMP1421101](#) [HLMP1503103F](#)  
[HLMP1503104F](#) [HLMP1700102F](#) [HLMP1700106F](#) [HLMP1700107F](#) [HLMP1790101F](#) [HLMP1790103F](#) [LTL-4211NHBP](#) [5390H3](#) [5390H5](#)  
[551-2802F](#) [552-0794-810F](#) [553-0222-812F](#) [HT3-BC-T](#) [564-0700-831F](#) [WP59BLGEW](#) [103-3101-1231-403](#) [5502407811F](#) [550-3007-810F](#)  
[551-3307MF](#) [552080-1](#) [573-2399-100F](#) [592-2020-302F](#) [5932-927-2701-3F](#) [SMF-HM1530SRD-509](#) [SSF-LXH100MID](#) [SSF-](#)  
[LXH2103SRSRDRP](#) [SSF-LXH555USBW](#) [WP937SB/4YGW](#) [WP937EB2EGW](#) [HT3-BLU-T](#) [551-0312-802F](#) [553-0110-802F](#) [561-5501-050F](#)  
[6202T3-5VLC](#) [MV60538MP7](#)