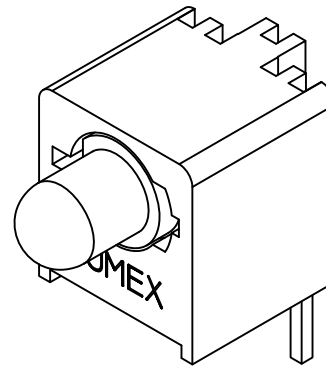
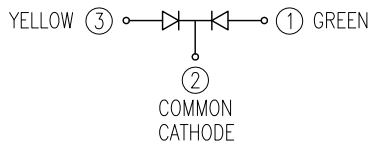
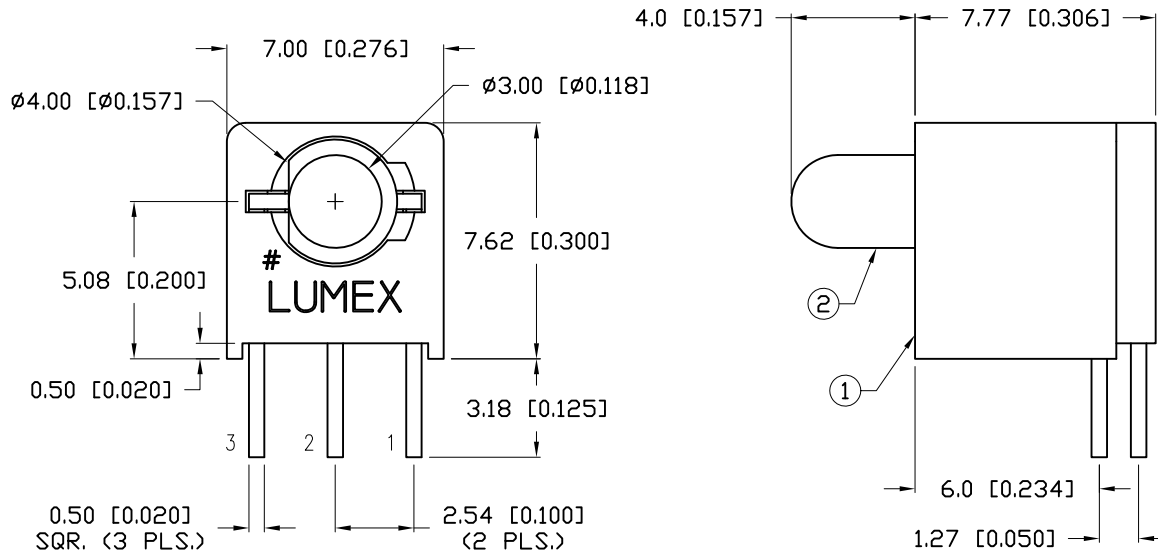


| | | | |
|-------------|-------------------------------------|------|------|
| PART NUMBER | SSF-LXH409SYSUGW | REV. | A |
| DATE | E.C.N. NUMBER AND REVISION COMMENTS | | REV. |
| 12.28.12 | E.C.N. #10BRDR. & REDRAWN. | | A |

[A]



ELECTRO-OPTICAL CHARACTERISTICS $T_A=25^\circ\text{C}$ $I_f=20\text{mA}$

| PARAMETER | MIN | TYP | MAX | UNITS | TEST COND |
|-----------------------|--------------|--------------|---------|--------------------------|----------------------|
| PEAK WAVELENGTH | | 590 (YELLOW) | | nm | |
| | | 574 (GREEN) | | nm | |
| FORWARD VOLTAGE (Y/G) | | 2.0/2.2 | 2.5/2.6 | V_f | |
| REVERSE VOLTAGE | 5.0 | | | V_r | $I_r=100\mu\text{A}$ |
| AXIAL INTENSITY (Y/G) | | 250/80 | | mcd | $I_f=20\text{mA}$ |
| VIEWING ANGLE | | 60 | | $2x \theta_{\text{eta}}$ | |
| EMITTED COLOR: | YELLOW/GREEN | | | | |
| EPOXY LENS FINISH: | MILKY WHITE | | | | |

LIMITS OF SAFE OPERATION AT 25°C

| PARAMETER | COLORS | MAX | UNITS |
|--------------------------------|--------|------------|----------------------------|
| PEAK FORWARD CURRENT* | | 150 | mA |
| STEADY CURRENT | (Y/G) | 30/25 | mA |
| POWER DISSIPATION | | 100 | mW |
| DERATE FROM 25°C | | -1.6 | $\text{mW}/^\circ\text{C}$ |
| OPERATING, STORAGE TEMP. | | -40 TO +85 | $^\circ\text{C}$ |
| SOLDERING TEMP. | | +260 | $^\circ\text{C}$ |
| 2.0mm FROM BODY | | | 3 SEC. MAX |

* $t < 10\mu\text{s}$

NOTES:

- SSH-LXH409, BLACK HOLDER.
- SSL-LX3059SYSUGW, BICOLOR LED.

*UNLESS OTHERWISE SPECIFIED TOLERANCES PER DECIMAL PRECISION ARE: X=±1 (±0.039), X.X=±0.5 (±0.020), X.XX=±0.25 (±0.010), X.XXX=±0.127 (±0.005). LEAD SIZE=±0.05 (±0.002), LEAD LENGTH=±0.75 (±0.030). MIN= ^{+DECIMAL PRECISION} MAX= ^{+0.00} _{-0.00} ^{-DECIMAL PRECISION} UNCONTROLLED DOCUMENT



425 N. GARY AVE.
CAROL STREAM, IL 60188-4900
PHONE: +1.800.278.5666
FAX: +1.630.315.2152
WEB: WWW.LUMEX.COM
MEMBER OF ITW PHOTONICS GROUP

T-4mm RIGHT ANGLE INDICATOR, 3 LEADS, COMMON CATHODE, AlInGaP YELLOW/GREEN BICOLOR, WHITE DIFFUSED LENS

THE SPECIFICATIONS MAY CHANGE AT ANY TIME WITHOUT NOTICE DUE TO NEW MATERIALS OR PRODUCT IMPROVEMENT.

CONFIDENTIAL INFORMATION
THE INFORMATION CONTAINED IN THIS DOCUMENT IS THE PROPERTY OF LUMEX INC. EXCEPT AS SPECIFICALLY AUTHORIZED IN WRITING BY LUMEX INC., THE HOLDER OF THIS DOCUMENT SHALL KEEP ALL INFORMATION CONTAINED HEREIN CONFIDENTIAL AND SHALL PROTECT SAME IN WHOLE OR IN PART FROM DISCLOSURE AND DISSEMINATION TO ALL THIRD PARTIES.

| | | | |
|--------|-----------|-----------|------|
| DATE: | 12.28.12 | DRAWN BY: | MA |
| PAGE: | 1 OF 1 | CHKD BY: | DT |
| SCALE: | NTS | APRVD BY: | DT |
| UNIT: | mm [INCH] | | (Pb) |

X-ON Electronics

Largest Supplier of Electrical and Electronic Components

Click to view similar products for [LED Circuit Board Indicators](#) category:

Click to view products by [Lumex](#) manufacturer:

Other Similar products are found below :

[568-0701-841F](#) [LTL-4221NH129](#) [LTL-42DGNMHDP1](#) [HLMP1521101](#) [HLMP1523802F](#) [HLMP1700101F](#) [HLMP1700104F](#) [BHA-1564-G](#)
[SMF-HM1530YD-305](#) [SSF-LXH409SYSUGW](#) [AM2520EHSGD](#) [HLMP1301104F](#) [HLMP1385101F](#) [HLMP1421101](#) [HLMP1503103F](#)
[HLMP1503104F](#) [HLMP1700102F](#) [HLMP1700106F](#) [HLMP1700107F](#) [HLMP1790101F](#) [HLMP1790103F](#) [LTL-4211NHBP](#) [5390H3](#) [5390H5](#)
[551-2802F](#) [552-0794-810F](#) [553-0222-812F](#) [HT3-BC-T](#) [564-0700-831F](#) [WP59BLGEW](#) [103-3101-1231-403](#) [5502407811F](#) [550-3007-810F](#)
[551-3307MF](#) [552080-1](#) [573-2399-100F](#) [592-2020-302F](#) [5932-927-2701-3F](#) [SMF-HM1530SRD-509](#) [SSF-LXH100MID](#) [SSF-](#)
[LXH2103SRSRDRP](#) [SSF-LXH555USBW](#) [WP937SB/4YGW](#) [WP937EB2EGW](#) [HT3-BLU-T](#) [551-0312-802F](#) [553-0110-802F](#) [561-5501-050F](#)
[6202T3-5VLC](#) [MV60538MP7](#)