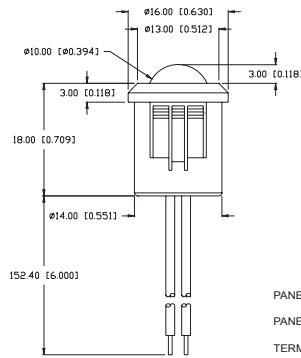


LED Indicators ~ Panel ~ Dome Lens



SSI-LXH1090XD-150 Series

T10mm Black Panel Indicator, 6" Leads



PANEL CUTOUT: Ø14.05mm
 PANEL THICKNESS: 0.6 - 3.0mm
 TERMINATION: 6" 24 AWG Leads

FEATURES / OPTIONS

- ▶ State-of-the-Art, High Brightness LED Chip Technology
- ▶ Choice of LED Colors and Lens Finishes
- ▶ Bi-Color Styles Optional
- ▶ Insulated Lead Lengths Optional
- ▶ Easy Two-Step Installation, Rear and Front of Panel
- ▶ Small Volumes Acceptable
- ▶ Available Without Insulated Leads (Bare LED Pins)
- ▶ Blinking LED
- ▶ With Internal Resistor for 5V and 12V Operation
- ▶ With Connector

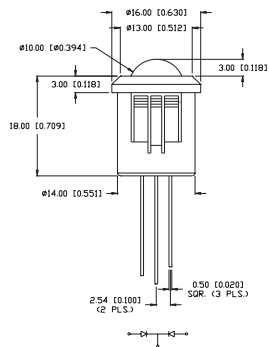
APPLICATIONS / USES

- ▶ Front Panel Status Indicators
- ▶ Alarm/Warning Indicators
- ▶ Front Panel Circuit Fault Indicators
- ▶ Instrument Control Panels
- ▶ Medical Diagnostics Indicators
- ▶ Industrial Automation Control Panels

Lumex Part Number	Die Material	Emitted Color	Peak (nm)	Lens	Operating Current (mA)	Operating TYP. Vf (V)	Brightness TYP. Mcd	@ mA	View Angle° 2θ	Component LED Used
HIGH BRIGHTNESS										
SSI-LXH1090SID-150	AlInGaP	Super High Intensity Red	636	Red Diffused	5-25	2	550	20	60	SSL-LX100133SID
SSI-LXH1090SOD-150	AlInGaP	Super Orange	610	Orange Diffused	5-25	2	550	20	60	SSL-LX100133SOD
SSI-LXH1090SUGD-150	AlInGaP	Super Ultra Green	574	Green Diffused	5-25	2.2	500	20	60	SSL-LX100133SUGD
SSI-LXH1090SYD-150	AlInGaP	Super Yellow	590	Yellow Diffused	5-25	2	350	20	60	SSL-LX100133SYD
SSI-LXH1090USBD-150	InGaN/SiC	Ultra Super Blue	470	Blue Diffused	5-25	3.5	300	20	60	SSL-LX100133USBD
STANDARD BRIGHTNESS										
SSI-LXH1090GD-150	GaP	Green	565	Green diffused	5-25	2.2	30	20	60	SSL-LX100133GD
SSI-LXH1090ID-150	GaAsP	High Intensity Red	635	Red Diffused	5-25	2.0	40	20	60	SSL-LX100133ID
SSI-LXH1090SRD-150	GaAlAs	Super Red	660	Red Diffused	5-25	1.7	160	20	60	SSL-LX100133SRD
SSI-LXH1090YD-150	GaAsP	Yellow	585	Yellow Diffused	5-25	2.1	30	20	60	SSL-LX100133YD

SSI-LXH1090XX-3

T10mm Black Panel Indicator, 3-Leaded LED



PANEL CUTOUT: Ø14.05mm
 PANEL THICKNESS: 0.6 - 3.0mm

FEATURES / OPTIONS

- ▶ State-of-the-Art, High Brightness LED Chip Technology
- ▶ Choice of LED Colors and Lens Finishes
- ▶ Bi-Color Styles Optional
- ▶ Insulated Lead Lengths Optional
- ▶ Easy Two-Step Installation, Rear and Front of Panel
- ▶ Small Volumes Acceptable
- ▶ Available Without Insulated Leads (Bare LED Pins)
- ▶ Wire Leads Termination
- ▶ Blinking LED
- ▶ With Internal Resistor for 5V and 12V Operation
- ▶ With Connector
- ▶ Common Anode Version

APPLICATIONS / USES

- ▶ Front Panel Status Indicators
- ▶ Alarm/Warning Indicators
- ▶ Front Panel Circuit Fault Indicators
- ▶ Instrument Control Panels
- ▶ Medical Diagnostics Indicators
- ▶ Industrial Automation Control Panels

Lumex Part Number	Die Material	Emitted Color	Peak (nm)	Lens	Operating Current (mA)	Operating TYP. Vf (V)	Brightness TYP. Mcd	@ mA	View Angle° 2θ	Component LED Used
SSI-LXH1090IGW-3	GaAsP	High Intensity Red	635	Milky White	5-25	2.0	45	20	60	SSL-LX100139IGW
	GaP	Green	565	Diffused	5-25	2.2	55	20		
SSI-LXH1090IYW-3	GaAsP	High Intensity Red	635	Milky White	5-25	2.0	55	20	60	SSL-LX100139IYW
	GaAsP	Yellow	585	Diffused	5-25	2.1	40	20		
SSI-LXH1090SISUGW3	AlInGaP	Super High Intensity Red	636	Milky White	5-25	2	500	20	60	SSL-LX100139SISUGW
	AlInGaP	Super Ultra Green	574	Diffused	5-25	2.2	300	20		
SSI-LXH1090SISYW-3	AlInGaP	Super High Intensity Red	636	Milky White	5-25	2	800	20	60	SSL-LX100139SISYW
	AlInGaP	Super Yellow	590	Diffused	5-25	2	400	20		
SSI-LXH1090SRSGW-3	GaAlAs	Super Red	660	Milky White	5-25	1.7	200	20	60	SSL-LX100139SRSGW
	GaP	Super Green	565	Diffused	5-25	2.2	60	20		
SSI-LXH1090SYSUGW3	AlInGaP	Super Yellow	590	Milky White	5-25	2.0	400	20	60	SSL-LX100139SYSUGW
	AlInGaP	Super Ultra Green	574	Diffused	5-25	2.2	200	20		
SSI-LXH1090YGW-3	GaAsP	Yellow	585	Milky White	5-25	2.1	40	20	60	SSL-LX100139YGW
	GaP	Green	565	Diffused	5-25	2.2	45	20		



USA/Canada +1-800-278-5666
 Europe +49-6081-964380
 Asia +886-3-5821124



www.lumex.com



USA/Canada +1-847-359-8904
 Europe +49-6081-964381
 Asia +886-3-5821154

X-ON Electronics

Largest Supplier of Electrical and Electronic Components

Click to view similar products for [LED Panel Mount Indicators](#) category:

Click to view products by [Lumex](#) manufacturer:

Other Similar products are found below :

[607-3232-140F](#) [821-0331-503](#) [FL2870C8R](#) [FL2950WL7B](#) [FL2950WL8G](#) [FL589WL8R](#) [FL67C8R](#) [H8630FBBA3](#) [NL177WL2A](#)
[NL177WL3G](#) [NL276C2A](#) [NL2950BWL3G](#) [NL589WL2R](#) [NL67C2C](#) [NL67C3R](#) [C480AABG3](#) [PB22BM41K](#) [PB22SIM40Y](#)
[PB22SKRS31KC](#) [L32R-R2-2311](#) [L3353-MWRG](#) [L39UR-R24-2111](#) [L58D-G2-W](#) [L58D-Y2-W](#) [L59D-R12-W](#) [L59UD-R12-W](#) [L625DG](#)
[L625DR](#) [LE177WL39007](#) [LE2950BWL39018](#) [LH1048BSWL3702](#) [LH1048BWL3702](#) [LH382A](#) [LH677G](#) [LHM628A](#) [FL276WL7R](#)
[FL2950BWL7R](#) [FL2950WL7R](#) [FL2950WL8R](#) [FL2950WL8R-12](#) [FL2951WL8G](#) [FL2951WL8R](#) [FL589C7R](#) [FL67WL8G](#) [MPC5BCW18.0](#)
[556-1605-808F](#) [556-1705-809F](#) [556-3008-839F](#) [558-0201-818F](#) [559-0001-813F](#)