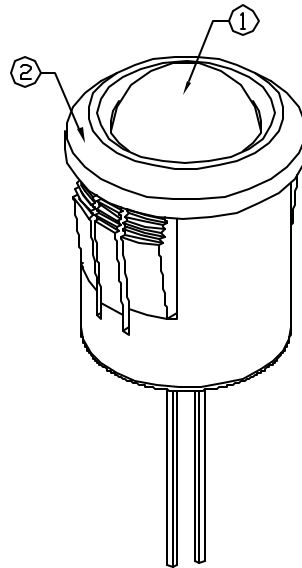
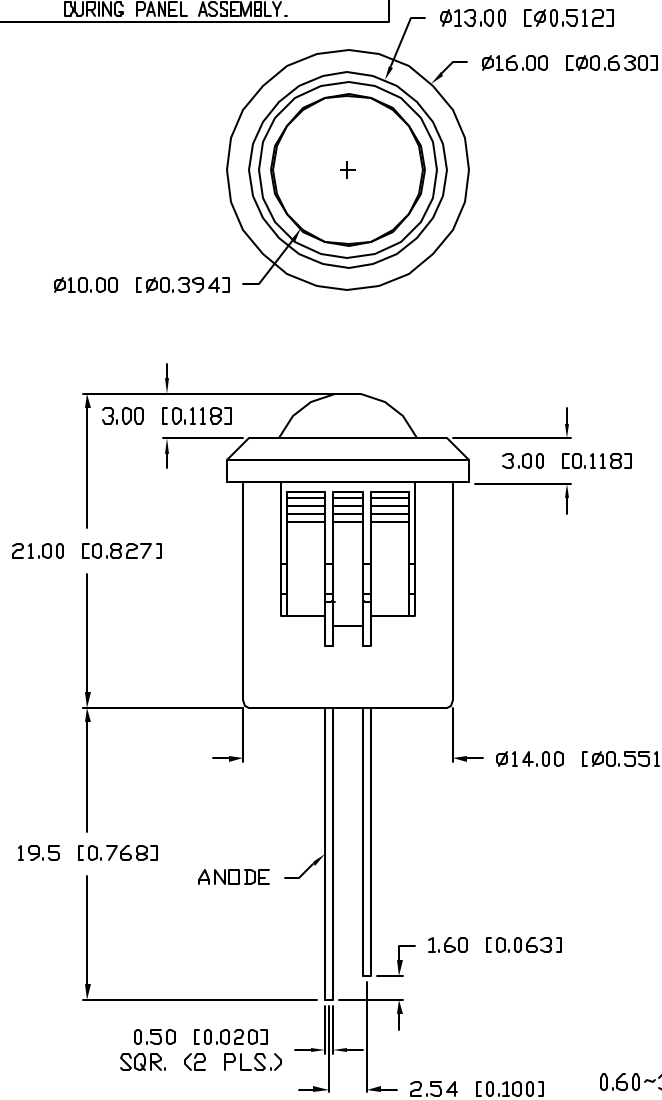


# UNCONTROLLED DOCUMENT

CAUTION: PRESSURE SENSITIVE ASSEMBLY  
AVOID APPLYING PRESSURE TO LED  
DURING PANEL ASSEMBLY.



| ELECTRO-OPTICAL CHARACTERISTICS $T_A=25^\circ\text{C}$ $I_f=20\text{mA}$ |                 |     |     |          |                      |
|--|-----------------|-----|-----|----------|----------------------|
| PARAMETER  | MIN             | TYP | MAX | UNITS    | TEST COND            |
| PEAK WAVELENGTH  |                 | 590 |     | nm       |                      |
| FORWARD VOLTAGE  |                 | 2.1 | 2.5 | $V_f$    |                      |
| REVERSE VOLTAGE  | 5.0             |     |     | $V_r$    | $I_r=100\mu\text{A}$ |
| AXIAL INTENSITY  |                 | 350 |     | med      | $I_f=20\text{mA}$    |
| VIEWING ANGLE  |                 | 60  |     | 2x theta |                      |
| EMITTED COLOR:   | YELLOW          |     |     |          |                      |
| EPOXY LENS FINISH:   | YELLOW DIFFUSED |     |     |          |                      |

| LIMITS OF SAFE OPERATION AT $25^\circ\text{C}$ |            |                      |
|--|------------|----------------------|
| PARAMETER                                      | MAX        | UNITS                |
| PEAK FORWARD CURRENT*                          | 150        | mA                   |
| STEADY CURRENT                                 | 30         | mA                   |
| POWER DISSIPATION                              | 105        | mW                   |
| DERATE FROM $25^\circ\text{C}$                 | -1.2       | mW/ $^\circ\text{C}$ |
| OPERATING, STORAGE TEMP.                       | -40 TO +85 | $^\circ\text{C}$     |
| SOLDERING TEMP.                                | +260       | $^\circ\text{C}$     |
| 2.0mm FROM BODY                                |            | 3 SEC. MAX           |
| * $t < 10\mu\text{s}$                          |            |                      |

### NOTES:

- SSL-LX100133SYD LED.
- SSH-RTF1090 HOLDER.
- UV EPOXY TO RETAIN LED IN HOLDER.

# UNCONTROLLED DOCUMENT

\*UNLESS OTHERWISE SPECIFIED TOLERANCES PER DECIMAL PRECISION ARE: X=±1 (±0.039), XX=±0.5 (±0.020), XXX=±0.25 (±0.010), XXXX=±0.127 (±0.005). LEAD SIZE=±0.05 (±0.002), LEAD LENGTH=±0.75 (±0.030), MIN= <sup>+0.00</sup> <sub>-0.00</sub> DECIMAL PRECISION MAX= <sup>+0.00</sup> <sub>-0.00</sub> DECIMAL PRECISION

REV.

PART NUMBER

SSI-LXH1090SYD

**CONFIDENTIAL INFORMATION**  
THE INFORMATION CONTAINED IN THIS DOCUMENT IS THE PROPERTY OF LUMEX INC. EXCEPT AS SPECIFICALLY AUTHORIZED IN WRITING BY LUMEX INC, THE HOLDER OF THIS DOCUMENT SHALL KEEP ALL INFORMATION CONTAINED HEREIN CONFIDENTIAL AND SHALL PROTECT SAME IN WHOLE OR IN PART FROM DISCLOSURE AND DISSEMINATION TO ALL THIRD PARTIES.



290 E. HELEN ROAD  
PALATINE, IL 60067-6976  
PHONE: +1.847.359.2790  
US WEB: www.lumex.com  
TW WEB: www.lumex.com.tw

T-10mm 590nm AlInGaP YELLOW LED PANEL INDICATOR,  
YELLOW DIFFUSED LENS.

**RELIABILITY NOTE**  
OUR MANY YEARS OF EXPERIENCE DATA ACCUMULATION INDICATE THAT SOLDER HEAT IS A MAJOR CAUSE OF EARLY AND FUTURE FAILURE. PLEASE PAY ATTENTION TO YOUR SOLDERING PROCESS.

|                 |             |              |              |
|-----------------|-------------|--------------|--------------|
| DRAWN BY:<br>BC | CHECKED BY: | APPROVED BY: | DATE: 1.5.02 |
|                 |             |              | PAGE: 1 OF 1 |
|                 |             |              | SCALE: N/A   |

## X-ON Electronics

Largest Supplier of Electrical and Electronic Components

*Click to view similar products for [LED Panel Mount Indicators](#) category:*

*Click to view products by [Lumex](#) manufacturer:*

Other Similar products are found below :

[607-3232-140F](#) [821-0331-503](#) [FL2870C8R](#) [FL2950WL7B](#) [FL2950WL8G](#) [FL589WL8R](#) [FL67C8R](#) [H8630FBBA3](#) [NL177WL2A](#)  
[NL177WL3G](#) [NL276C2A](#) [NL2950BWL3G](#) [NL589WL2R](#) [NL67C2C](#) [NL67C3R](#) [C480AABG3](#) [PB22BM41K](#) [PB22SIM40Y](#)  
[PB22SKRS31KC](#) [L32R-R2-2311](#) [L3353-MWRG](#) [L39UR-R24-2111](#) [L58D-G2-W](#) [L58D-Y2-W](#) [L59D-R12-W](#) [L59UD-R12-W](#) [L625DG](#)  
[L625DR](#) [LE177WL39007](#) [LE2950BWL39018](#) [LH1048BSWL3702](#) [LH1048BWL3702](#) [LH382A](#) [LH677G](#) [LHM628A](#) [FL276WL7R](#)  
[FL2950BWL7R](#) [FL2950WL7R](#) [FL2950WL8R](#) [FL2950WL8R-12](#) [FL2951WL8G](#) [FL2951WL8R](#) [FL589C7R](#) [FL67WL8G](#) [MPC5BCW18.0](#)  
[556-1605-808F](#) [556-1705-809F](#) [556-3008-839F](#) [558-0201-818F](#) [559-0001-813F](#)