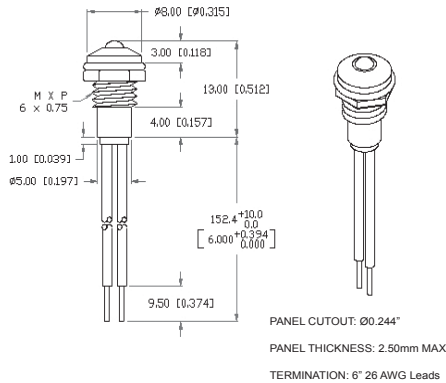


# LED Indicators ~ Panel ~ Dome Lens



## SSI-LXR3612XX-150 Series

## T-3mm Chrome Indicator, Protruded LED, 6" Leads



### FEATURES / OPTIONS

- ▶ State-of-the-Art, High Brightness LED Chip Technology
- ▶ Choice of LED Colors and Lens Finishes
- ▶ Bi-Color Styles Optional
- ▶ Insulated Lead Lengths Optional
- ▶ Easy Installation Through Panel
- ▶ Small Volumes Acceptable
- ▶ Available Without Insulated Leads (Bare LED Pins)
- ▶ Black Anodized Holder Optional
- ▶ Blinking LED
- ▶ With Internal Resistor for 5V and 12V Operation
- ▶ With Connector

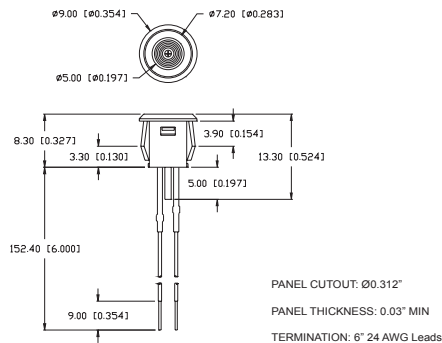
### APPLICATIONS / USES

- ▶ Front Panel Status Indicators
- ▶ Alarm/Warning Indicators
- ▶ Front Panel Circuit Fault Indicators
- ▶ Instrument Control Panels
- ▶ Medical Diagnostics Indicators
- ▶ Industrial Automation Control Panels

Lumex Part Number	Die Material	Emitted Color	Peak (nm)	Lens	Operating Current (mA)	Operating TYP. Vf (V)	Brightness TYP. Mcd	@ mA	View Angle° 2θ	Component LED Used
<b>HIGH BRIGHTNESS</b>										
SSI-LXR3612SID-150	AlInGaP	Super High Intensity Red	636	Red Diffused	5-25	2	100	20	60	SSL-LX3054SID
SSI-LXR3612SOD-150	AlInGaP	Super Orange	610	Orange Diffused	5-25	2	100	20	60	SSL-LX3054SOD
SSI-LXR3612SUGD-150	AlInGaP	Super Ultra Green	574	Green Diffused	5-25	2.2	180	20	60	SSL-LX3054SUGD
SSI-LXR3612SYD-150	AlInGaP	Super Yellow	590	Yellow Diffused	5-25	2	250	20	60	SSL-LX3054SYD
SSI-LXR3612USBD-150	InGaN/SiC	Ultra Super Blue	470	Blue Diffused	5-25	3.5	80	20	60	SSL-LX3054USBD
SSI-LXR3612UWW-150	InGaN/SiC	Ultra White	-	White Diffused	5-25	3.5	500	20	30	SSL-LX3054UWW
<b>STANDARD BRIGHTNESS</b>										
SSI-LXR3612GD-150	GaP	Green	565	Green diffused	5-25	2.2	40	20	60	SSL-LX3054GD
SSI-LXR3612ID-150	GaAsP	High Intensity Red	635	Red Diffused	5-25	2	40	20	60	SSL-LX3054ID
SSR-LXR3612SRD-150	GaAlAs	Super Red	660	Red Diffused	5-25	1.7	80	20	60	SSL-LX3054SRD
SSI-LXR3612YD-150	GaAsP	Yellow	585	Yellow Diffused	5-25	2.1	12	20	60	SSL-LX3054YD

## SSI-LXH387XX-150 Series

## T-4.9mm Fresnel Lens Indicator, 6" Leads



### FEATURES / OPTIONS

- ▶ State-of-the-Art, High Brightness LED Chip Technology
- ▶ Choice of LED Colors and Lens Finishes
- ▶ Bi-Color Styles Optional
- ▶ Insulated Lead Lengths Optional
- ▶ Easy Installation Through Panel
- ▶ Small Volumes Acceptable
- ▶ Available Without Insulated Leads (Bare LED Pins)
- ▶ Blinking LED
- ▶ With Internal Resistor for 5V and 12V Operation
- ▶ With Connector

### APPLICATIONS / USES

- ▶ Front Panel Status Indicators
- ▶ Alarm/Warning Indicators
- ▶ Front Panel Circuit Fault Indicators
- ▶ Instrument Control Panels
- ▶ Medical Diagnostics Indicators
- ▶ Industrial Automation Control Panels

Lumex Part Number	Die Material	Emitted Color	Peak (nm)	Lens	Operating Current (mA)	Operating TYP. Vf (V)	Brightness TYP. Mcd	@ mA	View Angle° 2θ	Component LED Used
<b>HIGH BRIGHTNESS</b>										
SSI-LXH387SID-150	AlInGaP	Super High Intensity Red	636	Red Diffused	5-25	2	60	20	120	SSL-LX433SID
SSI-LXH387SOD-150	AlInGaP	Super Orange	610	Orange Diffused	5-25	2	60	20	120	SSL-LX433SOD
SSI-LXH387SUGD-150	AlInGaP	Super Ultra Green	574	Green Diffused	5-25	2.2	60	20	120	SSL-LX433SUGD
SSI-LXH387SYD-150	AlInGaP	Super Yellow	590	Yellow Diffused	5-25	2	60	20	120	SSL-LX433SYD
SSI-LXH387USBD-150	InGaN/SiC	Ultra Super Blue	470	Blue Diffused	5-25	3.5	60	20	120	SSL-LX433USBD
<b>STANDARD BRIGHTNESS</b>										
SSI-LXH387GD-150	GaP	Green	565	Green diffused	5-25	2.2	6	20	120	SSL-LX433GD
SSI-LXH387ID-150	GaAsP	High Intensity Red	635	Red Diffused	5-25	2.0	4	20	120	SSL-LX433ID
SSI-LXH387SRD-150	GaAlAs	Super Red	660	Red Diffused	5-25	1.7	25	20	120	SSL-LX433SRD
SSI-LXH387YD-150	GaAsP	Yellow	585	Yellow Diffused	5-25	2.1	6	20	120	SSL-LX433YD



USA/Canada +1-800-278-5666  
Europe +49-6081-964380  
Asia +886-3-5821124



[www.lumex.com](http://www.lumex.com)



USA/Canada +1-847-359-8904  
Europe +49-6081-964381  
Asia +886-3-5821154

## X-ON Electronics

Largest Supplier of Electrical and Electronic Components

*Click to view similar products for [LED Panel Mount Indicators](#) category:*

*Click to view products by [Lumex](#) manufacturer:*

Other Similar products are found below :

[607-3232-140F](#) [821-0331-503](#) [FL2870C8R](#) [FL2950WL7B](#) [FL2950WL8G](#) [FL589WL8R](#) [FL67C8R](#) [H8630FBBA3](#) [NL177WL2A](#)  
[NL177WL3G](#) [NL276C2A](#) [NL2950BWL3G](#) [NL589WL2R](#) [NL67C2C](#) [NL67C3R](#) [C480AABG3](#) [PB22BM41K](#) [PB22SIM40Y](#)  
[PB22SKRS31KC](#) [L32R-R2-2311](#) [L3353-MWRG](#) [L39UR-R24-2111](#) [L58D-G2-W](#) [L58D-Y2-W](#) [L59D-R12-W](#) [L59UD-R12-W](#) [L625DG](#)  
[L625DR](#) [LE177WL39007](#) [LE2950BWL39018](#) [LH1048BSWL3702](#) [LH1048BWL3702](#) [LH382A](#) [LH677G](#) [LHM628A](#) [FL276WL7R](#)  
[FL2950BWL7R](#) [FL2950WL7R](#) [FL2950WL8R](#) [FL2950WL8R-12](#) [FL2951WL8G](#) [FL2951WL8R](#) [FL589C7R](#) [FL67WL8G](#) [MPC5BCW18.0](#)  
[556-1605-808F](#) [556-1705-809F](#) [556-3008-839F](#) [558-0201-818F](#) [559-0001-813F](#)