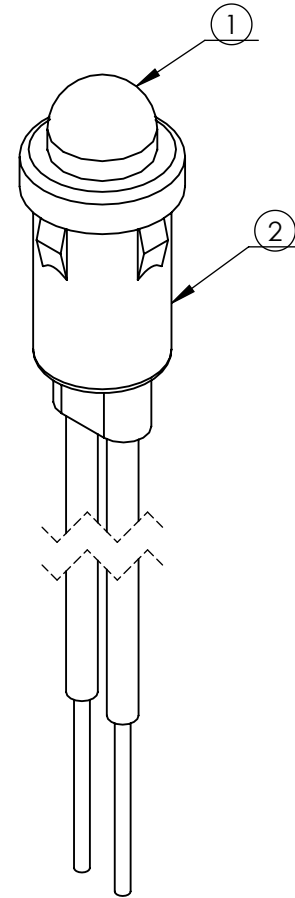
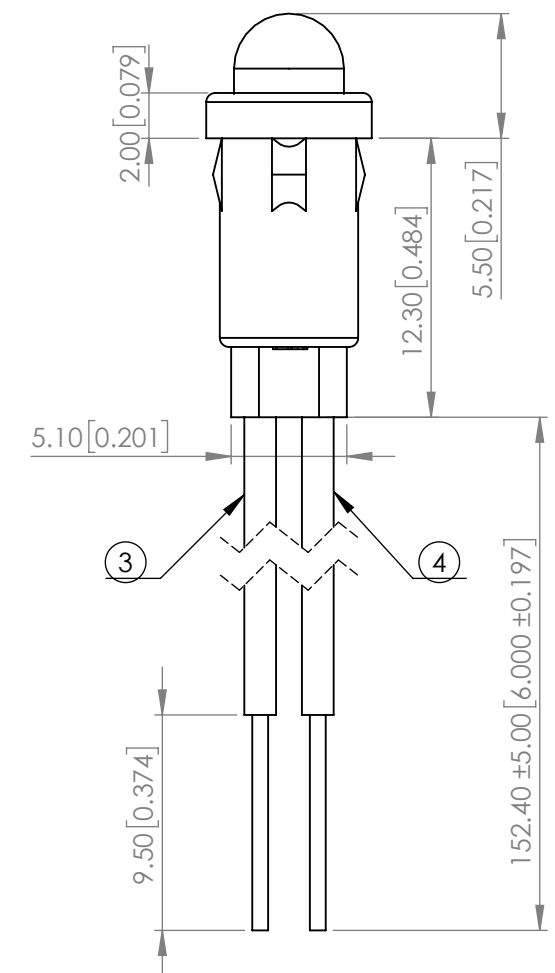
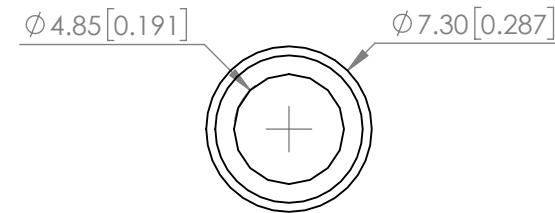
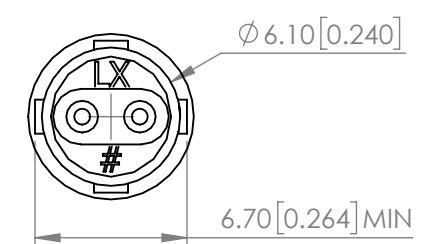


| | | | | |
|-------------|-------------------------------------|-------------------|-----|----------|
| PART NUMBER | | SSI-LXH600SID-150 | REV | A |
| REV | E.C.N. NUMBER AND REVISION COMMENTS | | | DATE |
| A | ECN-Lumex202000043 | | | 05.27.20 |



PANEL HOLE : Ø0.250"
PANEL THICKNESS : 0.030" MIN



ELECTRO-OPTICAL CHARACTERISTIC TA=25°C

| PARAMETER | MIN | TYP | MAX | UNITS | TEST COND |
|--------------------|--------------|-----|-----|-------------------------|-----------|
| PEAK WAVELENGTH | - | 645 | - | nm | If=20mA |
| FORWARD VOLTAGE | - | 1.9 | 2.5 | Vf | If=20mA |
| REVERSE CURRENT | - | - | 10 | uA | VR=5V |
| LUMINOUS INTENSITY | - | 700 | - | mcd | - |
| VIEWING ANGLE | - | 30 | - | 2x theta _{1/2} | - |
| EMITTED COLOR | RED | | | | |
| EPOXY LENS FINISH | RED DIFFUSED | | | | |

ABSOLUTE MAXIMUM RATINGS TA=25°C


| PARAMETER | MAX | UNITS |
|---------------------------|---------------|-------|
| PEAK FORWARD CURRENT* | 150 | mA |
| FORWARD CURRENT | 30 | mA |
| REVERSE VOLTAGE | 5 | V |
| POWER DISSIPATION | 75 | mW |
| STORAGE TEMPERATURE | -40 TO +85 | °C |
| OPERATING TEMPERATURE | -40 TO +85 | °C |
| LEAD SOLDER TEMPERATURE** | 3SEC MAX @260 | °C |

*1/10 Duty Cycle, 0.1ms Pulse Width
**2mm FROM BODY

NOTES:

- SSL-LX509F3SID LED
- SSH-LXH600 HOLDER / BLACK
- ANODE LEAD : LXP-WST24RDTOC, 24AWG STRANDED, TOP OVERCOAT, RED INSULATION, CUT 160mm LONG, STRIP 4mm & 9.5mm.
- CATHODE LEAD : LXP-WST24BLTOC, 24AWG STRANDED, TOP OVERCOAT, BLACK INSULATION, CUT 160mm LONG, STRIP 4mm & 9.5mm.

*UNLESS OTHERWISE SPECIFIED TOLERANCES PER DECIMAL PRECISION ARE: X=±1 (±0.039), X.X=±0.5 (±0.020), X.XX=±0.25 (±0.010), X.XXX=±0.127 (±0.005). LEAD SIZE=±0.05 (±0.002), LEAD LENGTH=±0.75 (±0.030). MIN= ^{+DECIMAL PRECISION}/_{-0.00} MAX= ^{+0.00}/_{-DECIMAL PRECISION}

| | | | | |
|---|--|--|-------------------|-----------------|
|  <p>425 N. GARY AVE. CAROL STREAM, IL 60188 PHONE : 800-278-5666 FAX : 630-315-2150 WEB : WWW.LUMEX.COM</p> | T-5mm(T-1 3/4 LED), PANEL MOUNT INDICATOR, 645nm SUPER HIGH INTENSITY RED LED, RED DIFFUSED LENS, WITH 6" WIRE LEADS | | DATE : 2020.05.27 | DRAWN BY : E.C. |
| | **THE SPECIFICATIONS MAY CHANGE AT ANY TIME WITHOUT NOTICE.** | | | |
| | CONFIDENTIAL INFORMATION | | | |
| | THE INFORMATION CONTAINED IN THIS DOCUMENT IS THE PROPERTY OF LUMEX INC. EXCEPT AS SPECIFICALLY AUTHORIZED IN WRITING BY LUMEX INC., THE HOLDER OF THIS DOCUMENT SHALL KEEP ALL INFORMATION CONTAINED HEREIN CONFIDENTIAL AND SHALL PROTECT SAME IN WHOLE OR IN PART FROM DISCLOSURE AND DISSEMINATION TO ALL THIRD PARTIES. | | | |
| | | | PAGE : 1 OF 1 | CHKD BY : E.C. |
| | | | SCALE : NTF | APRVD BY : G.Y. |
| | | | UNIT : mm [INCH] | (No) |

X-ON Electronics

Largest Supplier of Electrical and Electronic Components

Click to view similar products for [LED Panel Mount Indicators](#) category:

Click to view products by [Lumex](#) manufacturer:

Other Similar products are found below :

[607-3232-140F](#) [821-0331-503](#) [FL2870C8R](#) [FL2950WL7B](#) [FL2950WL8G](#) [FL589WL8R](#) [FL67C8R](#) [H8630FBBA3](#) [NL177WL2A](#)
[NL177WL3G](#) [NL276C2A](#) [NL2950BWL3G](#) [NL589WL2R](#) [NL67C2C](#) [NL67C3R](#) [C480AABG3](#) [PB22BM41K](#) [PB22SIM40Y](#)
[PB22SKRS31KC](#) [L32R-R2-2311](#) [L3353-MWRG](#) [L39UR-R24-2111](#) [L58D-G2-W](#) [L58D-Y2-W](#) [L59D-R12-W](#) [L59UD-R12-W](#) [L625DG](#)
[L625DR](#) [LE177WL39007](#) [LE2950BWL39018](#) [LH1048BSWL3702](#) [LH1048BWL3702](#) [LH382A](#) [LH677G](#) [LHM628A](#) [FL276WL7R](#)
[FL2950BWL7R](#) [FL2950WL7R](#) [FL2950WL8R](#) [FL2950WL8R-12](#) [FL2951WL8G](#) [FL2951WL8R](#) [FL589C7R](#) [FL67WL8G](#) [MPC5BCW18.0](#)
[556-1605-808F](#) [556-1705-809F](#) [556-3008-839F](#) [558-0201-818F](#) [559-0001-813F](#)