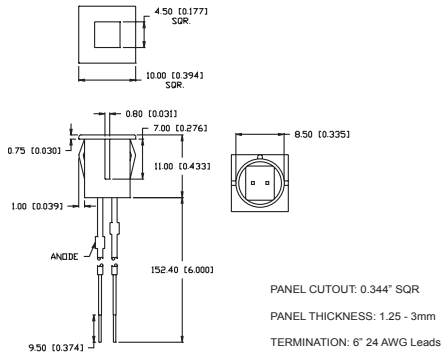


LED Indicators ~ Panel ~ Rectangular & Square



SSI-LXH55XD-150 Series

5mm Square Panel Indicator, Round Body, 6" Leads



FEATURES / OPTIONS

- ▶ State-of-the-Art, High Brightness LED Chip Technology
- ▶ Choice of LED Colors and Lens Finishes
- ▶ Bi-Color Styles Optional
- ▶ Insulated Lead Lengths Optional
- ▶ Easy Installation Through Panel
- ▶ Small Volumes Acceptable
- ▶ Available Without Insulated Leads (Bare LED Pins)
- ▶ Blinking LED
- ▶ With Internal Resistor for 5V and 12V Operation
- ▶ With Connector

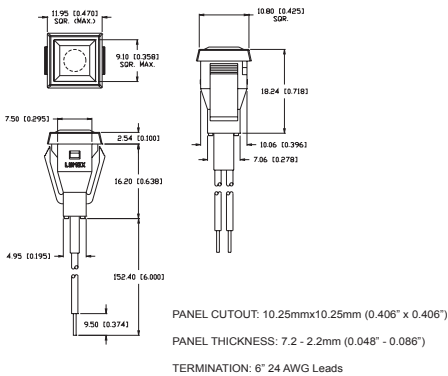
APPLICATIONS / USES

- ▶ Front Panel Status Indicators
- ▶ Alarm/Warning Indicators
- ▶ Front Panel Circuit Fault Indicators
- ▶ Instrument Control Panels
- ▶ Medical Diagnostics Indicators
- ▶ Industrial Automation Control Panels

| Lumex Part Number | Die Material | Emitted Color | Peak (nm) | Lens | Operating Current (mA) | Operating TYP. Vf (V) | Brightness TYP. Mcd | @ mA | View Angle° 2θ | Component LED Used |
|----------------------------|--------------|--------------------------|-----------|-----------------|------------------------|-----------------------|---------------------|------|----------------|--------------------|
| HIGH BRIGHTNESS | | | | | | | | | | |
| SSI-LXH55SID-150 | AllnGaP | Super High Intensity Red | 636 | Red Diffused | 5-25 | 2 | 60 | 20 | 80 | SSL-LX5573SID |
| SSI-LXH55SOD-150 | AllnGaP | Super Orange | 610 | Orange Diffused | 5-25 | 2 | 60 | 20 | 80 | SSL-LX5573SOD |
| SSI-LXH55SUGD-150 | AllnGaP | Super Ultra Green | 574 | Green Diffused | 5-25 | 2.2 | 50 | 20 | 80 | SSL-LX5573SUGD |
| SSI-LXH55SYD-150 | AllnGaP | Super Yellow | 590 | Yellow Diffused | 5-25 | 2 | 30 | 20 | 80 | SSL-LX5573SYD |
| SSI-LXH55USB-150 | InGaN/SiC | Ultra Super Blue | 470 | Blue Diffused | 5-25 | 3.5 | 50 | 20 | 80 | SSL-LX5573USB |
| STANDARD BRIGHTNESS | | | | | | | | | | |
| SSI-LXH55GD-150 | GaP | Green | 565 | Green diffused | 5-25 | 2.2 | 10 | 20 | 80 | SSL-LX5573GD |
| SSI-LXH55ID-150 | GaAsP | High Intensity Red | 635 | Red Diffused | 5-25 | 2 | 10 | 20 | 80 | SSL-LX5573ID |
| SSI-LXH55SRD-150 | GaAlAs | Super Red | 660 | Red Diffused | 5-25 | 1.7 | 20 | 20 | 80 | SSL-LX5573SRD |
| SSI-LXH55YD-150 | GaAsP | Yellow | 585 | Yellow Diffused | 5-25 | 2.1 | 5 | 20 | 80 | SSL-LX5573YD |

SSI-LXMP5011XD-150 Series

12mm Square ESD Safe w/Lens, 6" Leads



FEATURES / OPTIONS

- ▶ State-of-the-Art, High Brightness LED Chip Technology
- ▶ Choice of LED Colors and Lens Finishes
- ▶ Bi-Color Styles Optional
- ▶ Insulated Lead Lengths Optional
- ▶ Easy Installation Through Panel
- ▶ Small Volumes Acceptable
- ▶ Available Without Insulated Leads (Bare LED Pins)
- ▶ Lexan 123 ESD Safe Clear Lens
- ▶ Blinking LED
- ▶ With Internal Resistor for 5V and 12V Operation
- ▶ With Connector

APPLICATIONS / USES

- ▶ Front Panel Status Indicators
- ▶ Alarm/Warning Indicators
- ▶ Front Panel Circuit Fault Indicators
- ▶ Instrument Control Panels
- ▶ Medical Diagnostics Indicators
- ▶ Industrial Automation Control Panels

| Lumex Part Number | Die Material | Emitted Color | Peak (nm) | Lens | Operating Current (mA) | Operating TYP. Vf (V) | Brightness TYP. Mcd | @ mA | View Angle° 2θ | Component LED Used |
|----------------------------|--------------|--------------------------|-----------|-----------------|------------------------|-----------------------|---------------------|------|----------------|--------------------|
| HIGH BRIGHTNESS | | | | | | | | | | |
| SSI-LXMP5011SIC150 | AllnGaP | Super High Intensity Red | 636 | Red Diffused | 5-25 | 2 | 80 | 20 | 60 | SSL-LX4073SID |
| SSI-LXMP5011SOC150 | AllnGaP | Super Orange | 610 | Orange Diffused | 5-25 | 2 | 80 | 20 | 60 | SSL-LX4073SOD |
| SSI-LXMP5011SUGC15 | AllnGaP | Super Ultra Green | 574 | Green Diffused | 5-25 | 2.2 | 100 | 20 | 60 | SSL-LX4073SUGD |
| SSI-LXMP5011SYC150 | AllnGaP | Super Yellow | 590 | Yellow Diffused | 5-25 | 2 | 150 | 20 | 60 | SSL-LX4073SYD |
| SSI-LXMP5011USBC15 | InGaN/SiC | Ultra Super Blue | 470 | Blue Diffused | 5-25 | 3.5 | 50 | 20 | 60 | SSL-LX4073USB |
| STANDARD BRIGHTNESS | | | | | | | | | | |
| SSI-LXMP5011GC-150 | GaP | Green | 565 | Green Diffused | 5-25 | 2.2 | 15 | 20 | 60 | SSL-LX4073GD |
| SSI-LXMP5011IC-150 | GaAsP | High Intensity Red | 635 | Red Diffused | 5-25 | 2 | 20 | 20 | 60 | SSL-LX4073ID |
| SSI-LXMP5011SRC-150 | GaAlAs | Super Red | 660 | Red Diffused | 5-25 | 1.7 | 60 | 20 | 60 | SSL-LX4073SRD |
| SSI-LXMP5011YC-150 | GaAsP | Yellow | 585 | Yellow Diffused | 5-25 | 2.1 | 15 | 20 | 60 | SSL-LX4073YD |



USA/Canada +1-800-278-5666
Europe +49-6081-964380
Asia +886-3-5821124



www.lumex.com



USA/Canada +1-847-359-8904
Europe +49-6081-964381
Asia +886-3-5821154

X-ON Electronics

Largest Supplier of Electrical and Electronic Components

Click to view similar products for [LED Panel Mount Indicators](#) category:

Click to view products by [Lumex](#) manufacturer:

Other Similar products are found below :

[607-3232-140F](#) [821-0331-503](#) [FL2870C8R](#) [FL2950WL7B](#) [FL2950WL8G](#) [FL589WL8R](#) [FL67C8R](#) [H8630FBBA3](#) [NL177WL2A](#)
[NL177WL3G](#) [NL276C2A](#) [NL2950BWL3G](#) [NL589WL2R](#) [NL67C2C](#) [NL67C3R](#) [C480AABG3](#) [PB22BM41K](#) [PB22SIM40Y](#)
[PB22SKRS31KC](#) [L32R-R2-2311](#) [L3353-MWRG](#) [L39UR-R24-2111](#) [L58D-G2-W](#) [L58D-Y2-W](#) [L59D-R12-W](#) [L59UD-R12-W](#) [L625DG](#)
[L625DR](#) [LE177WL39007](#) [LE2950BWL39018](#) [LH1048BSWL3702](#) [LH1048BWL3702](#) [LH382A](#) [LH677G](#) [LHM628A](#) [FL276WL7R](#)
[FL2950BWL7R](#) [FL2950WL7R](#) [FL2950WL8R](#) [FL2950WL8R-12](#) [FL2951WL8G](#) [FL2951WL8R](#) [FL589C7R](#) [FL67WL8G](#) [MPC5BCW18.0](#)
[556-1605-808F](#) [556-1705-809F](#) [556-3008-839F](#) [558-0201-818F](#) [559-0001-813F](#)