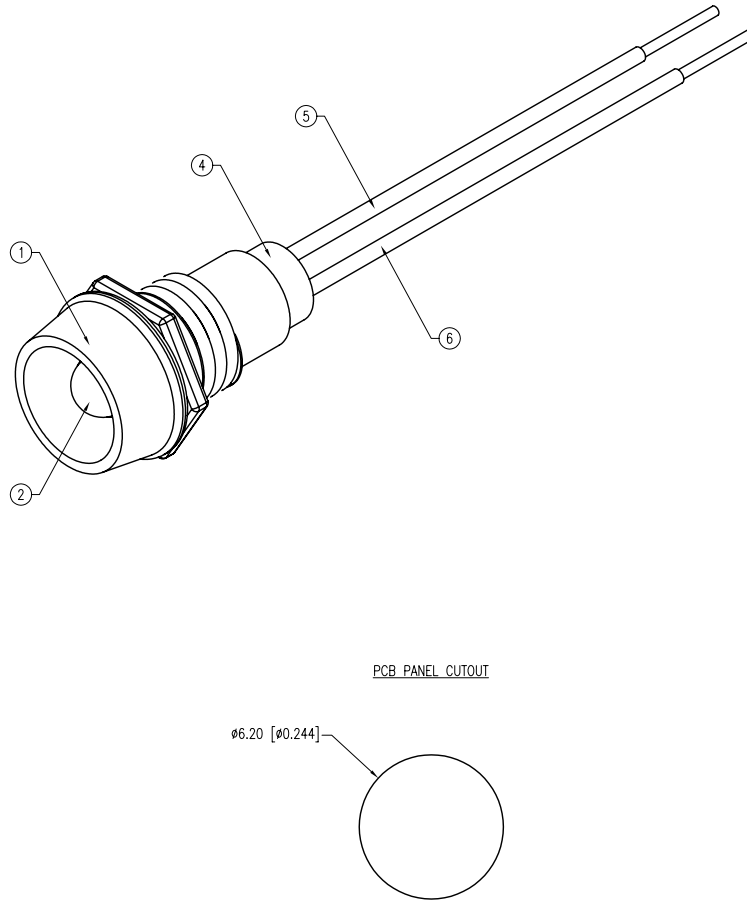
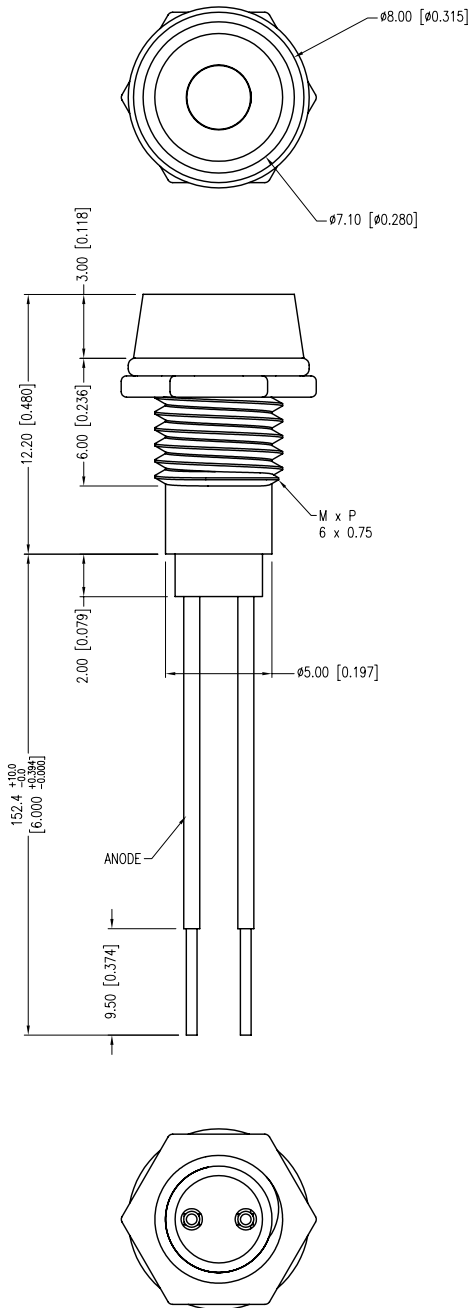


|             |                                     |      |      |
|-------------|-------------------------------------|------|------|
| PART NUMBER | SSI-LXR1612ID12V15                  | REV. | A    |
| DATE        | E.C.N. NUMBER AND REVISION COMMENTS |      | REV. |
| 07.14.11    | E.C.N. #10BRDR. & REDRAWN.          |      | A    |



| ELECTRO-OPTICAL CHARACTERISTICS $T_a=25^{\circ}\text{C}$ |              |     |     | $V_f=12\text{V}$ |                      |
|--|--------------|-----|-----|------------------|----------------------|
| PARAMETER  | MIN          | TYP | MAX | UNITS            | UNITS                |
| PEAK WAVELENGTH  |              | 635 |     | nm               |                      |
| FORWARD VOLTAGE  |              | 12  | 14  | Vf               |                      |
| REVERSE VOLTAGE  | 5.0          |     |     | Vr               | $I_r=100\mu\text{A}$ |
| AXIAL INTENSITY  |              | 10  |     | mcd              | $V_f=12\text{V}$     |
| VIEWING ANGLE  |              | 60  |     | 2x theta         |                      |
| EMITTED COLOR:   | RED          |     |     |                  |                      |
| EPOXY LENS FINISH:                                       | RED DIFFUSED |     |     |                  |                      |

| LIMITS OF SAFE OPERATION AT 25°C |            |           |
|----------------------------------|------------|-----------|
| PARAMETER                        | MAX        | UNITS     |
| PEAK FORWARD VOLTAGE             | 14         | V         |
| STEADY CURRENT                   | 10         | mA        |
| POWER DISSIPATION                | 310        | mW        |
| DERATE FROM 25°C                 | -1.6       | mW/°C     |
| OPERATING TEMP.                  | -40 TO +85 | °C        |
| STORAGE TEMP.                    | -40 TO +85 | °C        |
| SOLDERING TEMP.                  | +260       | °C        |
| 2.0mm FROM BODY                  | 3          | SEC. MAX. |

NOTES:

- SSI-LXR1612, CHROME HOUSING.
- SSL-LX3054ID-12V, RED LED. TRIM LEADS TO 5mm.
- SOLDER WIRE LEADS TO LEAD LEADS.
- SSH-LXH1612BSG, BUSHING, INSERT AND CRIMP.
- ANODE LEAD: LXP-WST26RDT0C, 26 AWG, TINNED OVERCOAT, RED INSULATION. CUT 157mm LONG, STRIP END 2mm & 9.5mm.
- CATHODE LEAD: LXP-WST26BLT0C, 26 AWG, TINNED OVERCOAT, BLACK INSULATION. CUT 157mm LONG, STRIP END 2mm & 9.5mm.

PCB PANEL CUTOUT

Ø6.20 [Ø0.244]

\*UNLESS OTHERWISE SPECIFIED TOLERANCES PER DECIMAL PRECISION ARE: X=±1 (±0.039), X.X=±0.5 (±0.020), X.XX=±0.25 (±0.010), X.XXX=±0.127 (±0.005). LEAD SIZE=±0.05 (±0.002), LEAD LENGTH=±0.75 (±0.030). MIN=  $\frac{+0.00}{-0.00}$  DECIMAL PRECISION MAX.=  $\frac{+0.00}{-0.00}$  DECIMAL PRECISION

UNCONTROLLED DOCUMENT

**LUMEX**  
 Creating LED and LCD Solutions Together™  
 290 E. HELEN ROAD  
 PALATINE, IL 60067-6976  
 PHONE: +1.847.359.2790  
 FAX: +1.847.359.6538  
 WEB: WWW.LUMEX.COM

T-3mm (T-1) 635nm RED LED PANEL INDICATOR, RED DIFFUSED LENS, 6" WIRE LEADS, 12V OPERATION.

\*\*THE SPECIFICATIONS MAY CHANGE AT ANY TIME WITHOUT NOTICE DUE TO NEW MATERIALS OR PRODUCT IMPROVEMENT.\*\*

CONFIDENTIAL INFORMATION  
 THE INFORMATION CONTAINED IN THIS DOCUMENT IS THE PROPERTY OF LUMEX INC. EXCEPT AS SPECIFICALLY AUTHORIZED IN WRITING BY LUMEX INC., THE HOLDER OF THIS DOCUMENT SHALL KEEP ALL INFORMATION CONTAINED HEREIN CONFIDENTIAL AND SHALL PROTECT SAME IN WHOLE OR IN PART FROM DISCLOSURE AND DISSEMINATION TO ALL THIRD PARTIES.

|        |           |           |    |
|--------|-----------|-----------|----|
| DATE:  | 07.14.11  | DRAWN BY: | AB |
| PAGE:  | 1 OF 1    | CHKD BY:  | KF |
| SCALE: | NTS       | APRVD BY: | SS |
| UNIT:  | mm [INCH] |           | Ⓟ  |

## X-ON Electronics

Largest Supplier of Electrical and Electronic Components

*Click to view similar products for [LED Panel Mount Indicators](#) category:*

*Click to view products by [Lumex](#) manufacturer:*

Other Similar products are found below :

[607-3232-140F](#) [821-0331-503](#) [FL2870C8R](#) [FL2950WL7B](#) [FL2950WL8G](#) [FL589WL8R](#) [FL67C8R](#) [H8630FBBA3](#) [NL177WL2A](#)  
[NL177WL3G](#) [NL276C2A](#) [NL2950BWL3G](#) [NL589WL2R](#) [NL67C2C](#) [NL67C3R](#) [C480AABG3](#) [PB22BM41K](#) [PB22SIM40Y](#)  
[PB22SKRS31KC](#) [L32R-R2-2311](#) [L3353-MWRG](#) [L39UR-R24-2111](#) [L58D-G2-W](#) [L58D-Y2-W](#) [L59D-R12-W](#) [L59UD-R12-W](#) [L625DG](#)  
[L625DR](#) [LE177WL39007](#) [LE2950BWL39018](#) [LH1048BSWL3702](#) [LH1048BWL3702](#) [LH382A](#) [LH677G](#) [LHM628A](#) [FL276WL7R](#)  
[FL2950BWL7R](#) [FL2950WL7R](#) [FL2950WL8R](#) [FL2950WL8R-12](#) [FL2951WL8G](#) [FL2951WL8R](#) [FL589C7R](#) [FL67WL8G](#) [MPC5BCW18.0](#)  
[556-1605-808F](#) [556-1705-809F](#) [556-3008-839F](#) [558-0201-818F](#) [559-0001-813F](#)