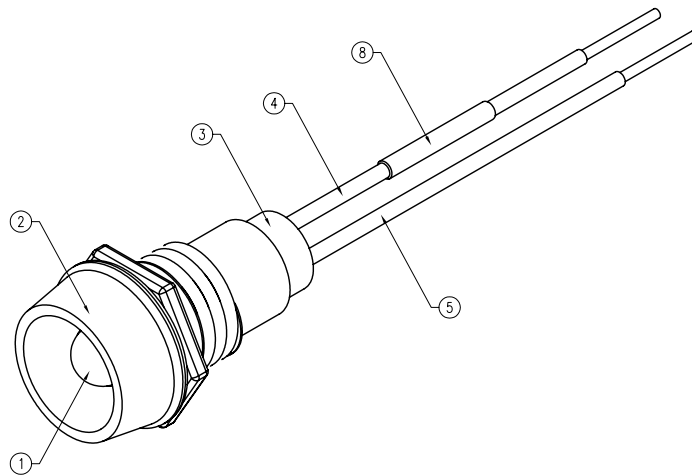
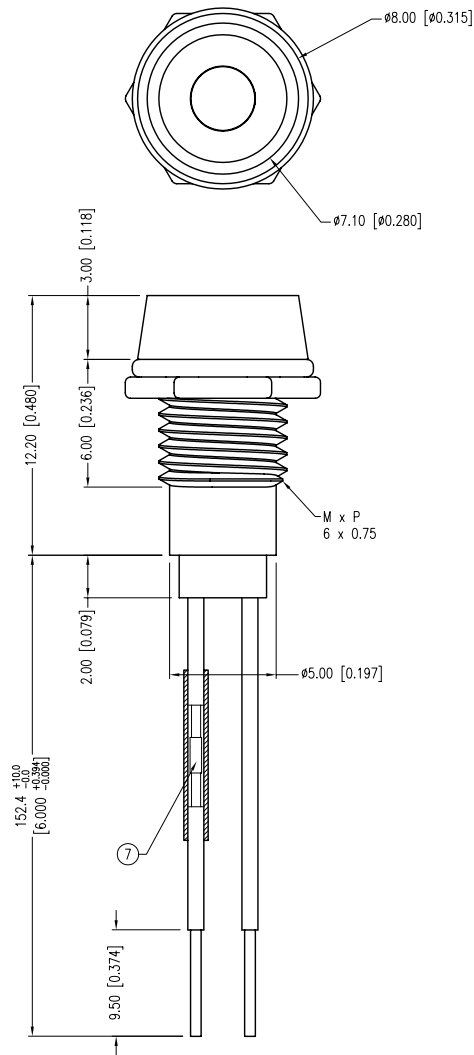
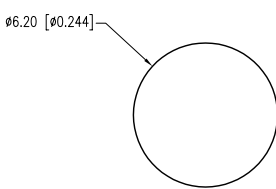


PART NUMBER	SSI-LXR1612ID16615	REV.	A
DATE	E.C.N. NUMBER AND REVISION COMMENTS		REV.
05.04.01	E.C.N. #10735.		A
10.18.01	E.C.N. #10BRDR. & REDRAWN.		B
07.14.11	E.C.N. #10BRDR. & REDRAWN.		C



PCB PANEL CUTOUT



ELECTRO-OPTICAL CHARACTERISTICS  $T_a=25^{\circ}\text{C}$   $V_f=24\text{V}$

PARAMETER	MIN	TYP	MAX	UNITS	UNITS
PEAK WAVELENGTH		635		nm	
FORWARD VOLTAGE		24	28	Vf	
REVERSE VOLTAGE	5.0			Vr	Ir=100 $\mu$ A
AXIAL INTENSITY		30		mcd	Vf=24V
VIEWING ANGLE		60		2x theta	
EMITTED COLOR:	RED				
EPOXY LENS FINISH:	RED DIFFUSED				

LIMITS OF SAFE OPERATION AT 25°C

PARAMETER	MAX	UNITS
PEAK FORWARD VOLTAGE	28	V
STEADY CURRENT	22	mA
POWER DISSIPATION	310	mW
DERATE FROM 25°C	-1.6	mW/°C
OPERATING TEMP.	-40 TO +85	°C
STORAGE TEMP.	-40 TO +85	°C
SOLDERING TEMP.	+260	°C
2.0mm FROM BODY	3	SEC. MAX.

NOTES:

1. SSL-LX3054ID, RED LED. TRIM LED LEADS TO 5mm.
2. SSI-LXR1612 CHROME HOUSING.
3. SSH-LXH1612BSG, BUSHING, INSERT AND CRIMP.
4. ANODE LEAD: LXP-WST26RDT, 26 AWG, STRANDED, RED INSULATION. CUT 48mm LONG, STRIP BOTH ENDS 2mm. CUT 95mm LONG, STRIP 2mm AND 9.5mm.
5. CATHODE LEAD: LXP-WST26BLT, 26 AWG, STRANDED, BLACK INSULATION. CUT 157mm LONG, STRIP END 2mm AND 9.5mm.
6. SOLDER LEAD WIRES TO LED LEADS.
7. LXP-RES 4700 1/4W, 4.7K OHM 1/4W RESISTOR, TRIM LEADS OF RESISTOR 18mm END TO END.
8. INSULATE RESISTOR AND CRIMPS WITH HEATSHRINK. (3/32" x 1" LONG).

\*UNLESS OTHERWISE SPECIFIED TOLERANCES PER DECIMAL PRECISION ARE: X=±1 (±0.039), X.X=±0.5 (±0.020), X.XX=±0.25 (±0.010), X.XXX=±0.127 (±0.005). LEAD SIZE=±0.05 (±0.002), LEAD LENGTH=±0.75 (±0.030). MIN= +<sup>DECIMAL</sup>PRECISION MAX.= +<sup>0.00</sup>/<sub>-0.00</sub>DECIMAL PRECISION

**LUMEX**  
 Creating LED and LCD Solutions Together.™  
 290 E. HELEN ROAD  
 PALATINE, IL 60067-6976  
 PHONE: +1.847.359.2790  
 FAX: +1.847.359.6538  
 WEB: WWW.LUMEX.COM

T-3mm (T-1) 635nm RED LED PANEL INDICATOR, RED DIFFUSED, 4.7K OHM 1/4W RESISTOR, 6" WIRE LEADS.  
 \*\*THE SPECIFICATIONS MAY CHANGE AT ANY TIME WITHOUT NOTICE DUE TO NEW MATERIALS OR PRODUCT IMPROVEMENT.\*\*  
 CONFIDENTIAL INFORMATION  
 THE INFORMATION CONTAINED IN THIS DOCUMENT IS THE PROPERTY OF LUMEX INC. EXCEPT AS SPECIFICALLY AUTHORIZED IN WRITING BY LUMEX INC., THE HOLDER OF THIS DOCUMENT SHALL KEEP ALL INFORMATION CONTAINED HEREIN CONFIDENTIAL AND SHALL PROTECT SAME IN WHOLE OR IN PART FROM DISCLOSURE AND DISSEMINATION TO ALL THIRD PARTIES.

DATE:	07.14.11	DRAWN BY:	AB
PAGE:	1 OF 1	CHKD BY:	KF
SCALE:	NTS	APRVD BY:	SS
UNIT:	mm [INCH]		Ⓟ

## X-ON Electronics

Largest Supplier of Electrical and Electronic Components

*Click to view similar products for [LED Panel Mount Indicators](#) category:*

*Click to view products by [Lumex](#) manufacturer:*

Other Similar products are found below :

[607-3232-140F](#) [821-0331-503](#) [FL2870C8R](#) [FL2950WL7B](#) [FL2950WL8G](#) [FL589WL8R](#) [FL67C8R](#) [H8630FBBA3](#) [NL177WL2A](#)  
[NL177WL3G](#) [NL276C2A](#) [NL2950BWL3G](#) [NL589WL2R](#) [NL67C2C](#) [NL67C3R](#) [C480AABG3](#) [PB22BM41K](#) [PB22SIM40Y](#)  
[PB22SKRS31KC](#) [L32R-R2-2311](#) [L3353-MWRG](#) [L39UR-R24-2111](#) [L58D-G2-W](#) [L58D-Y2-W](#) [L59D-R12-W](#) [L59UD-R12-W](#) [L625DG](#)  
[L625DR](#) [LE177WL39007](#) [LE2950BWL39018](#) [LH1048BSWL3702](#) [LH1048BWL3702](#) [LH382A](#) [LH677G](#) [LHM628A](#) [FL276WL7R](#)  
[FL2950BWL7R](#) [FL2950WL7R](#) [FL2950WL8R](#) [FL2950WL8R-12](#) [FL2951WL8G](#) [FL2951WL8R](#) [FL589C7R](#) [FL67WL8G](#) [MPC5BCW18.0](#)  
[556-1605-808F](#) [556-1705-809F](#) [556-3008-839F](#) [558-0201-818F](#) [559-0001-813F](#)