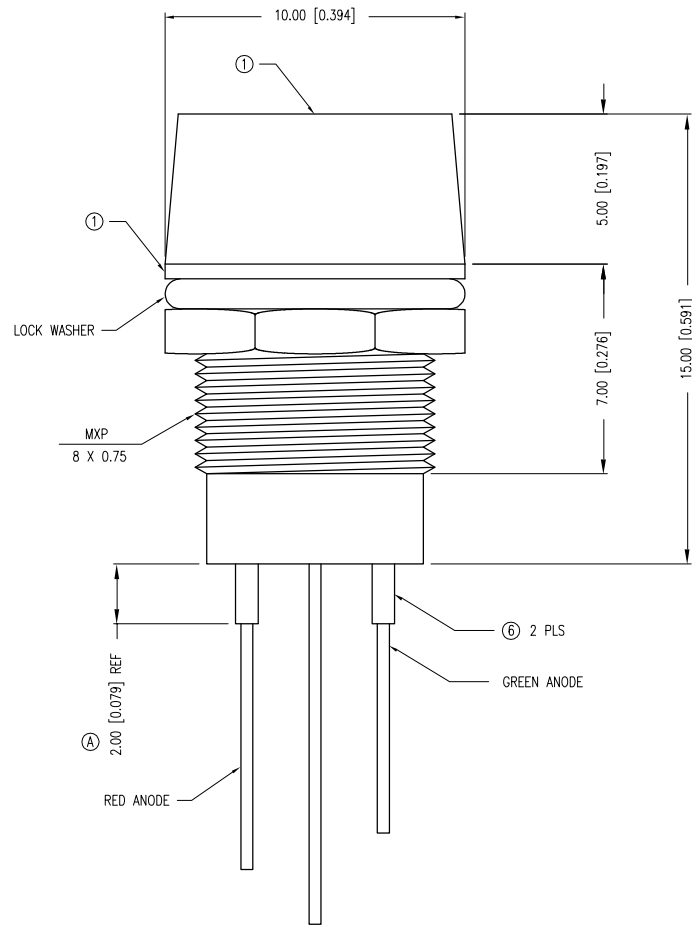


PART NUMBER	SSI-LXR4815-30012A	REV.	B
DATE	E.C.N. NUMBER AND REVISION COMMENTS		REV.
08.09.93	CHANGED DWG TO SHOW HEAT SHRINK		A
10.27.94	UPDATED SAFE OP. SPECS., BOM AND TITLE		B



ELECTRO-OPTICAL CHARACTERISTICS $T_A=25^{\circ}\text{C}$ $I_f=20\text{mA}$

PARAMETER	COLOR	MIN	TYP	MAX	UNITS	TEST COND
PEAK WAVELENGTH			700 (RED)		nm	
			565 (GREEN)		nm	
FORWARD VOLTAGE			2.1	2.8	V_f	
REVERSE VOLTAGE		5.0			V_r	$I_f=100\mu\text{A}$
AXIAL INTENSITY			5/8		md	$I_f=20\text{mA}$
VIEWING ANGLE			80		$2x$ theta	
EMITTED COLOR:	RED/GREEN					
EPOXY LENS FINISH:	MILKY WHITE DIFFUSED					

LIMITS OF SAFE OPERATION AT 25°C

PARAMETER		MAX	UNITS
B PEAK FORWARD CURRENT*	(R/G)	150/150	mA
B STEADY CURRENT	(R/G)	30/25	mA
B POWER DISSIPATION	(R/G)	105/105	mW
DERATE FROM 25°C	(R/G)	- 1.1	mW/ $^{\circ}\text{C}$
B OPERATING TEMP.		-40 TO +80	$^{\circ}\text{C}$
B STORAGE TEMP.		-40 TO +85	$^{\circ}\text{C}$
B SOLDERING TEMP.		+260	$^{\circ}\text{C}$
B 2.0mm FROM BODY		3	SEC. MAX

* $t < 10\mu\text{s}$

BILL OF MATERIALS

1. SSI-LXR4815 PANEL MOUNT REFLECTOR.
2. RUBBER GASKET LXP-WA-3816.
3. SSL-LX5099HGW OR SSL-LX5099HGW/R BI-COLOR WHITE DIFFUSED.
- B 4. BACKFILL HOLDER WITH SILICON ADHESIVE.
- B 5. WATER RESISTANT PER NEMA STANDARD 250, SECT. 6.7
6. HEAT SHRINK ON ANODE LEADS TO PREVENT SHORTING TO REFLECTOR CAN EXTEND SLIGHTLY BEYOND HOUSING AS SHOWN

A

*UNLESS OTHERWISE SPECIFIED TOLERANCES PER DECIMAL PRECISION ARE: X=±1 (±0.039), X.X=±0.5 (±0.020), X.XX=±0.25 (±0.010), X.XXX=±0.127 (±0.005). LEAD SIZE=±0.05 (±0.002), LEAD LENGTH=±0.75 (±0.030). MIN= ^{+DECIMAL PRECISION} _{-0.00} MAX.= ^{+0.00} _{-DECIMAL PRECISION} UNCONTROLLED DOCUMENT

	290 E. HELEN ROAD PALATINE, IL 60067-6976 PHONE: +1.847.359.2790 FAX: +1.847.359.6538 WEB: WWW.LUMEX.COM	T-5, 3 LEADED BI-COLOR, PANEL INDICATOR, WATER RESISTANT	DATE: 06.07.93	DRAWN BY: AB
		THE SPECIFICATIONS MAY CHANGE AT ANY TIME WITHOUT NOTICE DUE TO NEW MATERIALS OR PRODUCT IMPROVEMENT.	PAGE: 1 OF 1	CHKD BY: JD
		CONFIDENTIAL INFORMATION THE INFORMATION CONTAINED IN THIS DOCUMENT IS THE PROPERTY OF LUMEX INC. EXCEPT AS SPECIFICALLY AUTHORIZED IN WRITING BY LUMEX INC., THE HOLDER OF THIS DOCUMENT SHALL KEEP ALL INFORMATION CONTAINED HEREIN CONFIDENTIAL AND SHALL PROTECT SAME IN WHOLE OR IN PART FROM DISCLOSURE AND DISSEMINATION TO ALL THIRD PARTIES.	SCALE: N/A	APRVD BY: JD
			UNIT: mm [INCH]	

X-ON Electronics

Largest Supplier of Electrical and Electronic Components

Click to view similar products for [LED Panel Mount Indicators](#) category:

Click to view products by [Lumex](#) manufacturer:

Other Similar products are found below :

[607-3232-140F](#) [821-0331-503](#) [FL2870C8R](#) [FL2950WL7B](#) [FL2950WL8G](#) [FL589WL8R](#) [FL67C8R](#) [H8630FBBA3](#) [NL177WL2A](#)
[NL177WL3G](#) [NL276C2A](#) [NL2950BWL3G](#) [NL589WL2R](#) [NL67C2C](#) [NL67C3R](#) [C480AABG3](#) [PB22BM41K](#) [PB22SIM40Y](#)
[PB22SKRS31KC](#) [L32R-R2-2311](#) [L3353-MWRG](#) [L39UR-R24-2111](#) [L58D-G2-W](#) [L58D-Y2-W](#) [L59D-R12-W](#) [L59UD-R12-W](#) [L625DG](#)
[L625DR](#) [LE177WL39007](#) [LE2950BWL39018](#) [LH1048BSWL3702](#) [LH1048BWL3702](#) [LH382A](#) [LH677G](#) [LHM628A](#) [FL276WL7R](#)
[FL2950BWL7R](#) [FL2950WL7R](#) [FL2950WL8R](#) [FL2950WL8R-12](#) [FL2951WL8G](#) [FL2951WL8R](#) [FL589C7R](#) [FL67WL8G](#) [MPC5BCW18.0](#)
[556-1605-808F](#) [556-1705-809F](#) [556-3008-839F](#) [558-0201-818F](#) [559-0001-813F](#)