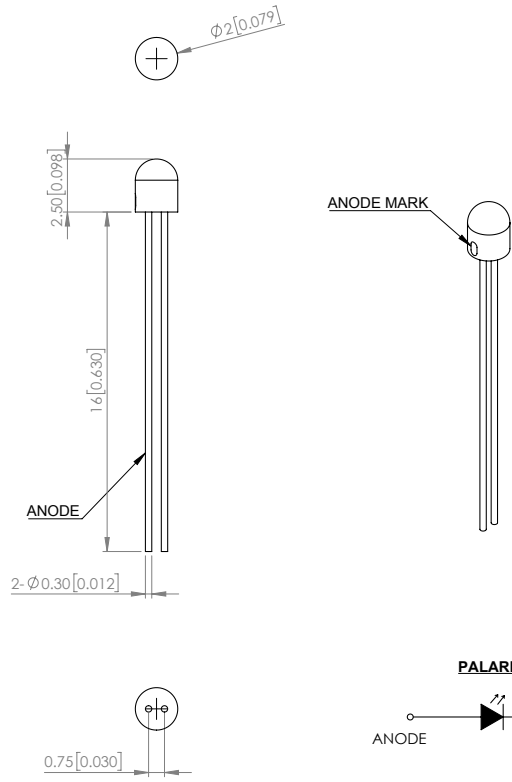


PART NUMBER	SSL-LX203CSRT	REV	F
DATE	ECN NUMBER	REV	
01.04.96	E.C.N. # 10108		A
14.12.96	E.C.N. # 10145		B
02.09.01	E.C.N. # 10BRDR & REDRAWN		C
05.13.04	E.C.N. # 11126		D
07.26.11	E.C.N. # 10BRDR & REDRAWN		E
09.12.17	ECN-Lumex201700070		F



ELECTRO-OPTICAL CHARACTERISTIC TA=25°C

PARAMETER	MIN	TYP	MAX	UNITS	TEST COND
PEAK WAVELENGTH	-	640	-	-	If=20mA
FORWARD VOLTAGE	-	2.1	2.5	Vf	If=20mA
REVERSE VOLTAGE	-	-	5	Vr	Ir=10uA
LUMINOUS INTENSITY	-	250	-	mcd	If=20mA
VIEWING ANGLE	-	140	-	2x theta1/2	If=20mA
EMITTED COLOR	RED				
EPOXY LENS FINISH	RED TRANSPARENT				

ABSOLUTE MAXIMUM RATINGS TA=25°C

PARAMETER	MAX	UNITS
STEADY CURRENT	25	mA
POWER DISIPATION	62.5	mW
STORAGE TEMPERATURE	-40 to +85	°C
OPERATING TEMPERATURE	-40 to +100	°C
SOLDERING TEMPERATURE	3sec MAX @ 260	°C

*t<10us

NOTES:

1. ANODE MARK IS INDICATED BY A SMALL MARKING ON THE SIDE OF THE CERAMIC SURFACE. RED MARK INDICATES ANODE.
2. WHITE CERAMIC BASE STEM.

*UNLESS OTHERWISE SPECIFIED TOLERANCES PER DECIMAL PRECISION ARE: X=±1 (±0.039), X.X=±0.5 (±0.020), X.XX=±0.25 (±0.010), X.XXX=±0.127 (±0.005). LEAD SIZE=±0.05 (±0.002), LEAD LENGTH=±0.75 (±0.030), MIN=^{+0.00}/_{-0.00} DECIMAL PRECISION, MAX.=^{+0.00}/_{-0.00} DECIMAL PRECISION

<p>N. GARY AVE. CAROL STREAM, IL 60188 PHONE : 800-278-5666 FAX : 830-315-2150 WEB : WWW.LUMEX.COM425</p>	T-2 CREAMIC STEM LED, 640nm RED LED, RED TRANSPARENT LENS	DATE : 2017.09.12	DRAWN BY : E.C.
	"*THE SPECIFICATIONS MAY CHANGE AT ANY TIME WITHOUT NOTICE DUE TO NEW MATERIALS OR PRODUCT IMPROVEMENT.*"	PAGE : 1 OF 1	CHKD BY : G.Y.
	CONFIDENTIAL INFORMATION	SCALE : NTF	APRVD BY : R.C.
	THE INFORMATION CONTAINED IN THIS DOCUMENT IS THE PROPERTY OF LUMEX INC. EXCEPT AS SPECIFICALLY AUTHORIZED IN WRITING BY LUMEX INC., THE HOLDER OF THIS DOCUMENT SHALL KEEP ALL INFORMATION CONTAINED HEREIN CONFIDENTIAL AND SHALL PROTECT SAME IN WHOLE OR IN PART FROM DISCLOSURE AND DISSEMINATION TO ALL THIRD PARTIES.	UNIT : mm [INCH]	

X-ON Electronics

Largest Supplier of Electrical and Electronic Components

Click to view similar products for [Standard LEDs - Through Hole category](#):

Click to view products by [Lumex manufacturer](#):

Other Similar products are found below :

[LTL-10254W](#) [LTL-1214A](#) [LTL-2231AT](#) [LTL-3251A](#) [LTL-4262N](#) [LTL-433P](#) [LTL-5234](#) [LTL87HTBK](#) [LTW-87HD4B](#) [HLMP-EL30-PS0DD](#) [1L0532V23G0TD001](#) [NSPW500CS](#) [NTE30036](#) [NTE30044](#) [NTE30059](#) [NTE3020](#) [LD CQDP-1U3U-W5-1-K](#) [LP379PPG1C0G0300001](#) [SLR-342MC3F](#) [SLX-LX3044GD](#) [SLX-LX3044ID](#) [SLX-LX3044YD](#) [1.90690.3330000](#) [SSS-LX4673ID-410B](#) [1L0532Y24I0TD001](#) [264-7SYGD/S530-E2](#) [HLMP-1301-G00FG](#) [HLMP1385](#) [LTL-10224W](#) [LTL-1224A](#) [LTL-1234A](#) [LTL-2251AT](#) [LTL-403HR](#) [LTL-4222](#) [LU7-E-B](#) [4380H1](#) [HLMP-3962-F0002](#) [HLMP-GG15-R0000](#) [323-2SURD/S530-A3](#) [L53SRC/E-Z](#) [L-7679C1ZGC](#) [4302T1-5V](#) [4306D23](#) [4363D1/5](#) [WP1503SRC/J4](#) [WP153GDT](#) [WP153YDT](#) [WP1543SGC](#) [WP1543SURC](#) [WP53MGD](#)