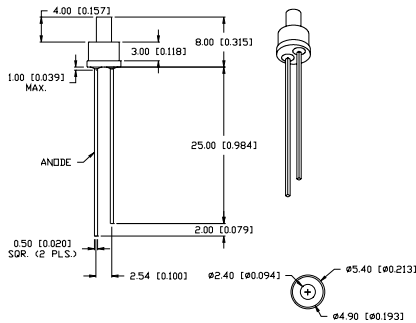


## SSL-LX20583 Series

## T-2mm Tall Stove Pipe Lens



### FEATURES / OPTIONS

- ▶ State-of-the-Art, High Brightness Chip Technology
- ▶ Choice of Colors and Lens Finishes
- ▶ Lead Frame / Lens Casting Reliability
- ▶ Easy-to-Solder Leads, Tin Finish
- ▶ Available Bulk or on Tape and Reel
- ▶ Lead Trimming and Forming Available
- ▶ Custom Shapes, Easily Tooled, Low Minimum

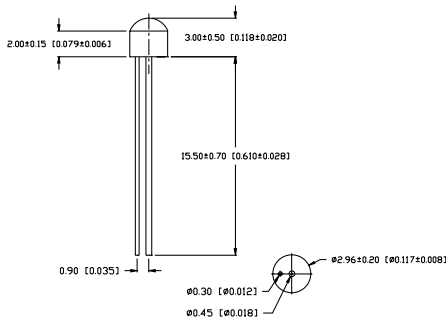
### APPLICATIONS / USES

- ▶ Board or Panel Indication or Illumination
- ▶ Backlighting of Overlays and Graphics
- ▶ Annunciator and Control Panels
- ▶ Keyboards and Switches
- ▶ Telecom Switches and Central Station Equipment
- ▶ Signs, Warning Lights, Displays

Lumex Part Number	Die Material	Emitted Color	Peak (nm)	Lens	Operating Current (mA)	Operating TYP. Vf (V)	Brightness TYP. Mcd	@ mA	View Angle° 2θ
<b>HIGH BRIGHTNESS</b>									
SSL-LX20583SID-FT	AlInGaP	Super High Intensity Red	636	Red Diffused	5-25	2	15	20	100
SSL-LX20583SOD-FT	AlInGaP	Super Orange	610	Orange Diffused	5-25	2	15	20	100
SSL-LX20583SUGD-FT	AlInGaP	Super Ultra Green	574	Green Diffused	5-25	2.2	20	20	100
SSL-LX20583SYD-FT	AlInGaP	Super Yellow	590	Yellow Diffused	5-25	2	15	20	100
SSL-LX20583USBDF-FT	InGaN/SiC	Ultra Super Blue	470	Blue Diffused	5-25	3.5	20	20	100
<b>STANDARD BRIGHTNESS</b>									
SSL-LX20583GD-FT	GaP	Green	565	Green Diffused	5-25	2.2	10	20	100
SSL-LX20583HD-FT	GaP	High Efficiency Red	700	Red Diffused	5-25	2	5	20	100
SSL-LX20583ID-FT	GaAsP	High Intensity Red	635	Red Diffused	5-25	2	20	20	100
SSL-LX20583SRD-FT	GaAlAs	Super Red	660	Red Diffused	5-25	1.7	60	20	100
SSL-LX20583YD-FT	GaAsP	Yellow	585	Yellow Diffused	5-25	2.1	10	20	100

## SSL-LX304C Series

## T-3mm Ceramic Stem



### FEATURES / OPTIONS

- ▶ State-of-the-Art, High Brightness Chip Technology
- ▶ Choice of Colors and Lens Finishes
- ▶ Ceramic Stem Reliability
- ▶ Easy-to-Solder Leads, Tin Finish
- ▶ Available Bulk
- ▶ Lead Trimming

### APPLICATIONS / USES

- ▶ Board or Panel Indication or Illumination
- ▶ Backlighting of Overlays and Graphics
- ▶ Annunciator and Control Panels
- ▶ Keyboards and Switches
- ▶ Telecom Switches and Central Station Equipment

Lumex Part Number	Die Material	Emitted Color	Peak (nm)	Lens	Operating Current (mA)	Operating TYP. Vf (V)	Brightness TYP. Mcd	@ mA	View Angle° 2θ
<b>HIGH BRIGHTNESS</b>									
SSL-LX304CSID	AlInGaP	Super High Intensity Red	636	Red Diffused	5-25	2	25	20	140
SSL-LX304CSOD	AlInGaP	Super Orange	610	Orange Diffused	5-25	2	25	20	140
SSL-LX304CSUGD	AlInGaP	Super Ultra Green	574	Green Diffused	5-25	2.2	20	20	140
SSL-LX304CSYD	AlInGaP	Super Yellow	590	Yellow Diffused	5-25	2	30	20	140
SSL-LX304CUSBD	InGaN/SiC	Ultra Super Blue	470	Blue Diffused	5-25	3.5	20	20	140
<b>STANDARD BRIGHTNESS</b>									
SSL-LX304CGD	GaP	Green	565	Green Diffused	5-25	2.2	1	20	140
SSL-LX304CHD	GaP	High Efficiency Red	700	Red Diffused	5-25	2	1	20	140
SSL-LX304CID	GaAsP	High Intensity Red	635	Red Diffused	5-25	2	6	20	140
SSL-LX304CYD	GaAsP	Yellow	585	Yellow Diffused	5-25	2.1	3	20	140



USA/Canada 1-800-278-5666  
Asia +886-3-5821124



[www.lumex.com](http://www.lumex.com)



USA/Canada 1-847-359-8904  
Asia +886-3-5821154

1  
2  
3  
4  
5  
6  
7  
8  
9  
10  
11  
12  
13  
14  
15  
16  
17  
18  
19  
20  
21  
22  
23  
24  
25  
26  
27  
28  
29

## X-ON Electronics

Largest Supplier of Electrical and Electronic Components

*Click to view similar products for [Standard LEDs - Through Hole category](#):*

*Click to view products by [Lumex manufacturer](#):*

Other Similar products are found below :

[LTL-10254W](#) [LTL-1214A](#) [LTL-3251A](#) [LTL-4262N](#) [LTL-433P](#) [LTL-5234](#) [LTL87HTBK](#) [LTL-87HD4B](#) [HLMP-EL30-PS0DD](#)  
[1L0532V23G0TD001](#) [NSPW500CS](#) [NTE30036](#) [NTE30044](#) [NTE30059](#) [NTE3020](#) [LD CQDP-1U3U-W5-1-K](#) [LP379PPG1COG0300001](#)  
[SLR-342MC3F](#) [SLX-LX3044GD](#) [SLX-LX3044ID](#) [SLX-LX3044YD](#) [1.90690.3330000](#) [SSS-LX4673ID-410B](#) [1L0532Y24I0TD001](#) [264-](#)  
[7SYGD/S530-E2](#) [HLMP-1301-G00FG](#) [HLMP1385](#) [LTL-10224W](#) [LTL-1224A](#) [LTL-1234A](#) [LTL-2251AT](#) [LTL-403HR](#) [LTL-4222](#) [LU7-E-B](#)  
[4380H1](#) [HLMP-3962-F0002](#) [HLMP-GG15-R0000](#) [323-2SURD/S530-A3](#) [L53SRC/E-Z](#) [L-7679C1ZGC](#) [4302T1-5V](#) [4306D23](#) [4363D1/5](#)  
[WP1503SRC/J4](#) [WP153GDT](#) [WP153YDT](#) [WP1543SGC](#) [WP1543SURC](#) [WP53MGD](#) [WP7113HD](#)