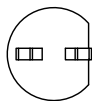
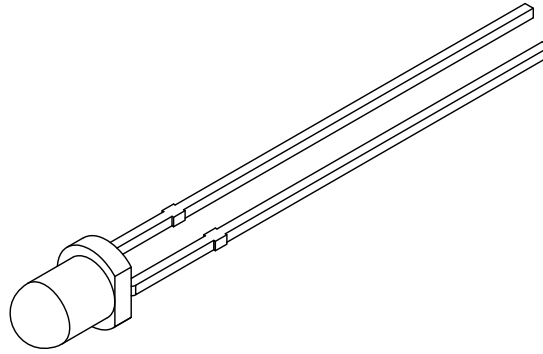
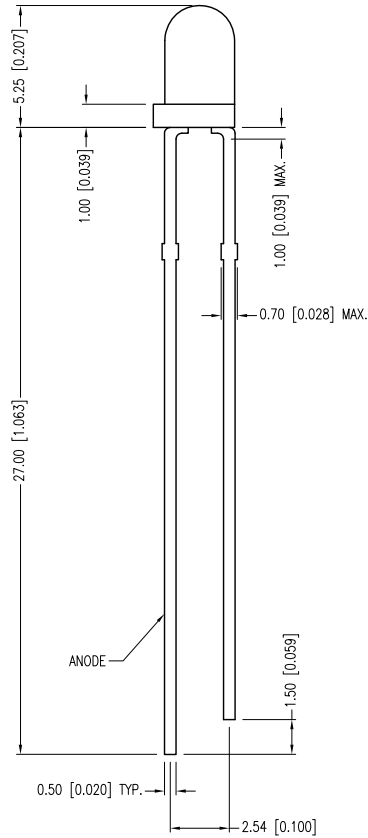
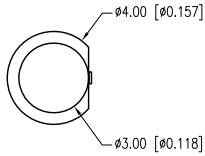


|             |                                     |      |      |
|-------------|-------------------------------------|------|------|
| PART NUMBER | SSL-LX3054GC                        | REV. | C    |
| DATE        | E.C.N. NUMBER AND REVISION COMMENTS |      | REV. |
| 07.25.95    | REDRAWN AND UPDATED SPECS.          |      | A    |
| 04.09.01    | E.C.N. #10BRDR. & REDRAWN IN 3D.    |      | B    |
| 03.28.11    | E.C.N. #10BRDR. & REDRAWN/#11703.   |      | C    |



**[A] ELECTRO-OPTICAL CHARACTERISTICS TA =25°C If=20mA**

| PARAMETER          | MIN         | TYP. | MAX | UNITS    | TEST COND |
|--------------------|-------------|------|-----|----------|-----------|
| PEAK WAVELENGTH    |             | 565  |     | nm       |           |
| FORWARD VOLTAGE    |             | 2.2  | 2.5 | Vf       |           |
| REVERSE VOLTAGE    | 5.0         |      |     | Vr       | Ir=100µA  |
| AXIAL INTENSITY    |             | 80   |     | mcd      | If=10mA   |
| VIEWING ANGLE      |             | 50   |     | 2x theta |           |
| EMITTED COLOR:     | GREEN       |      |     |          |           |
| EPOXY LENS FINISH: | WATER CLEAR |      |     |          |           |

**[A] LIMITS OF SAFE OPERATION AT 25°C**

| PARAMETER             | MAX        | UNITS     |
|-----------------------|------------|-----------|
| PEAK FORWARD CURRENT* | 140        | mA        |
| STEADY CURRENT        | 25         | mA        |
| POWER DISSIPATION     | 63         | mW        |
| DERATE FROM 25°C      | -1.2       | mW/°C     |
| OPERATING TEMP.       | -40 TO +85 | °C        |
| STORAGE TEMP.         | -40 TO +85 | °C        |
| SOLDERING TEMP.       | +260       | °C        |
| 2.0mm FROM BODY       | 3          | SEC. MAX. |

\* I<10µS

\*UNLESS OTHERWISE SPECIFIED TOLERANCES PER DECIMAL PRECISION ARE: X=±1 (±0.039), X,X=±0.5 (±0.020), X,XX=±0.25 (±0.010), X,XXX=±0.127 (±0.005). LEAD SIZE=±0.05 (±0.002), LEAD LENGTH=±0.75 (±0.030). MIN.= <sup>+DECIMAL PRECISION</sup> -0.00 <sub>-DECIMAL PRECISION</sub>



290 E. HELEN ROAD  
PALATINE, IL 60067-6976  
PHONE: +1.847.359.2790  
FAX: +1.847.359.6538  
WEB: WWW.LUMEX.COM

T-3mm (T-1) 565nm GREEN LED, WATER CLEAR LENS.

\*\*THE SPECIFICATIONS MAY CHANGE AT ANY TIME WITHOUT NOTICE DUE TO NEW MATERIALS OR PRODUCT IMPROVEMENT.\*\*

CONFIDENTIAL INFORMATION  
THE INFORMATION CONTAINED IN THIS DOCUMENT IS THE PROPERTY OF LUMEX INC. EXCEPT AS SPECIFICALLY AUTHORIZED IN WRITING BY LUMEX INC., THE HOLDER OF THIS DOCUMENT SHALL KEEP ALL INFORMATION CONTAINED HEREIN CONFIDENTIAL AND SHALL PROTECT SAME IN WHOLE OR IN PART FROM DISCLOSURE AND DISSEMINATION TO ALL THIRD PARTIES.

|        |           |           |    |
|--------|-----------|-----------|----|
| DATE:  | 03.28.11  | DRAWN BY: | AB |
| PAGE:  | 1 OF 1    | CHKD BY:  | KF |
| SCALE: | NTS       | APRVD BY: | KF |
| UNIT:  | mm [INCH] |           | Ⓟ  |

## X-ON Electronics

Largest Supplier of Electrical and Electronic Components

*Click to view similar products for [Standard LEDs - Through Hole category](#):*

*Click to view products by [Lumex manufacturer](#):*

Other Similar products are found below :

[LTL-10254W](#) [LTL-1214A](#) [LTL-2231AT](#) [LTL-3251A](#) [LTL-4262N](#) [LTL-433P](#) [LTL-5234](#) [LTL87HTBK](#) [LTW-87HD4B](#) [HLMP-EL30-PS0DD](#) [1L0532V23G0TD001](#) [NSPW500CS](#) [NTE30036](#) [NTE30044](#) [NTE30059](#) [NTE3020](#) [LD CQDP-1U3U-W5-1-K](#) [LP379PPG1C0G0300001](#) [SLR-342MC3F](#) [SLX-LX3044GD](#) [SLX-LX3044ID](#) [SLX-LX3044YD](#) [1.90690.3330000](#) [SSS-LX4673ID-410B](#) [1L0532Y24I0TD001](#) [264-7SYGD/S530-E2](#) [HLMP-1301-G00FG](#) [HLMP1385](#) [LTL-10224W](#) [LTL-1224A](#) [LTL-1234A](#) [LTL-2251AT](#) [LTL-403HR](#) [LTL-4222](#) [LU7-E-B](#) [4380H1](#) [HLMP-3962-F0002](#) [HLMP-GG15-R0000](#) [323-2SURD/S530-A3](#) [L53SRC/E-Z](#) [L-7679C1ZGC](#) [4302T1-5V](#) [4306D23](#) [4363D1/5](#) [WP1503SRC/J4](#) [WP153GDT](#) [WP153YDT](#) [WP1543SGC](#) [WP1543SURC](#) [WP53MGD](#)